

The Morse PailPRO™ series addresses today's high expectations for workplace ergonomics. These innovative products provide solutions to 5-gallon pail handling needs that can increase operational efficiency.

- Reduce the chance for worker's compensation claims
- Prevent repetitive motion injuries
- Increase employee morale
- Reduce error rates
- Increase product quality

Ergonomic 5-Gallon Pail Handling

Model 83 PailPRO™ 5-Gallon Pail Handler

- Lift, tilt and pour a 5-gallon pail with ease
- Dispense at up to 5 feet high
- Easily maneuverable, compact design
- Simple handling with hand crank lift and hand wheel tilt
- Optional counterweight kit extends reach

Use the Morse Pail Handler to lift, tilt, and position your 5-gallon pail weighing up to 150 Lb. (68 kg). Dispense up to 5 feet (152 cm) high. The Morse model 83 should be used for ergonomic advantage to reduce risks due to repetitive motion or heavy lifting of 5-gallon pails. Specific applications include food, pharmaceutical, paint and coating, and processing industries.

Secure your pail in the holder with minimal effort using a clamp-screw mechanism. Turn the handle approximately 40 times to elevate your pail to 5 feet from the floor. Easily maneuver through tight spaces and standard doorways on the compact base with casters and wheels. The pail is automatically locked in pouring position by the MORStop Tilt-Brake. Prevent the Pail Handler from rolling while you pour with the adjustable floor lock.



Model 83 Summary

- Capacity: 150 Lb. (68 kg)
- Dispensing height: 60" (152 cm)
- Fits through standard doorway
- Easily maneuverable
- Adjustable floor lock
- Enclosed moving parts

Typical of Morse products designed for performance with robust construction, the Pail Handler is lightweight and extremely manageable. The safety-oriented design encloses moving parts to avoid pinch points.

- Overall height: 80" (203 cm)
- Base dimensions: L33" x W33" (84 x 84 cm)
- Handle an 11" to 12" (28 to 30.5 cm) diameter pail or can
- Domestic ship weight: 180 Lb. (82 kg)

MORStop™ Tilt-Brake

The MORStop™ Tilt-Brake

between the hand wheel and the tilt gearing, is standard on the model 83 pail handler. This device prevents a pail from turning out of control. The pail will remain where you stop turning the hand wheel, until you

turn it again. Without the MORStop™ Tilt-Brake, an unbalanced pail could turn on its own, especially when contents shift from one end to the other as you turn it.



MORStop™ Tilt-Brake

Part: # 3901-P

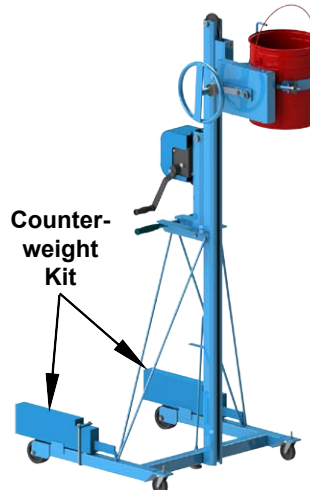
Option: Counter Weight Kit

Optional Counter Weight Kit

Part # 3930-P

The optional counter weight kit (Part # 3930-P) allows the Model 83 to be configured as an extended reach dispensing unit. Easily converted, this option provides over one foot of reach beyond the front casters. The capacity is reduced to 75 Lb. (34 kg) with the optional counter weight kit.

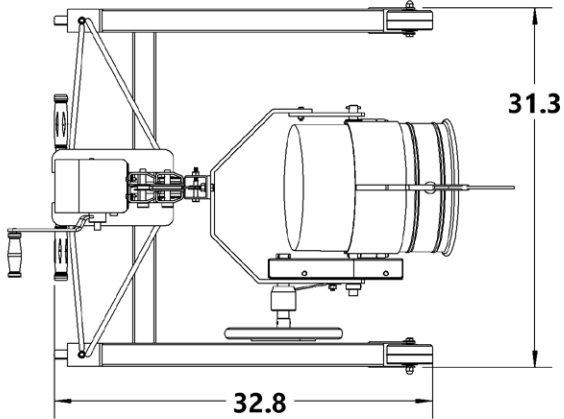
Model 83 shown with optional counter weight kit in place. The base is reversed to allow pouring beyond the front wheels.



Counter-weight Kit

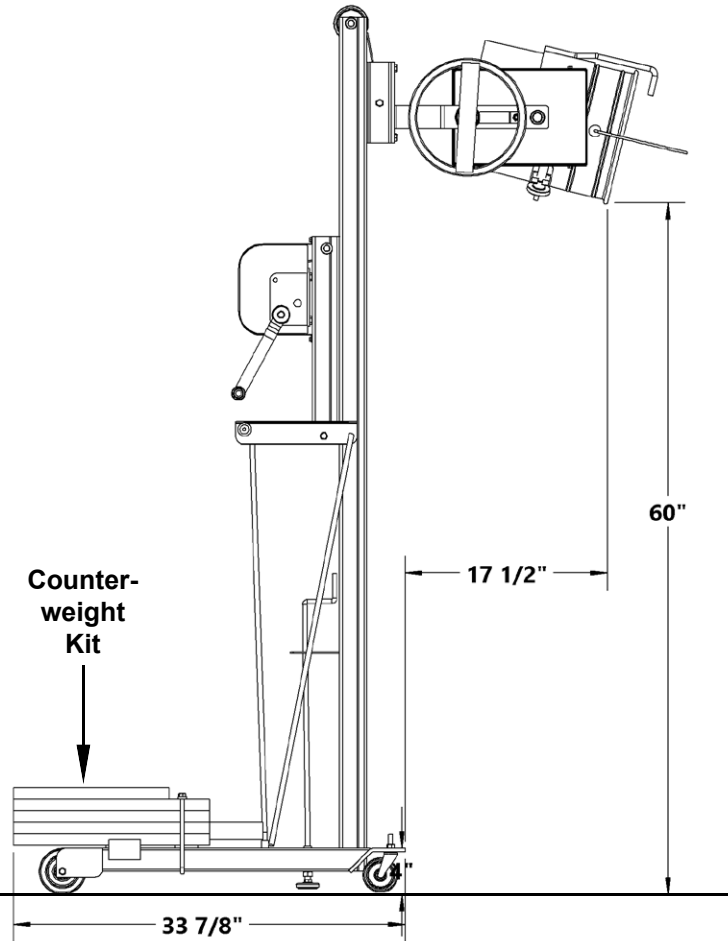
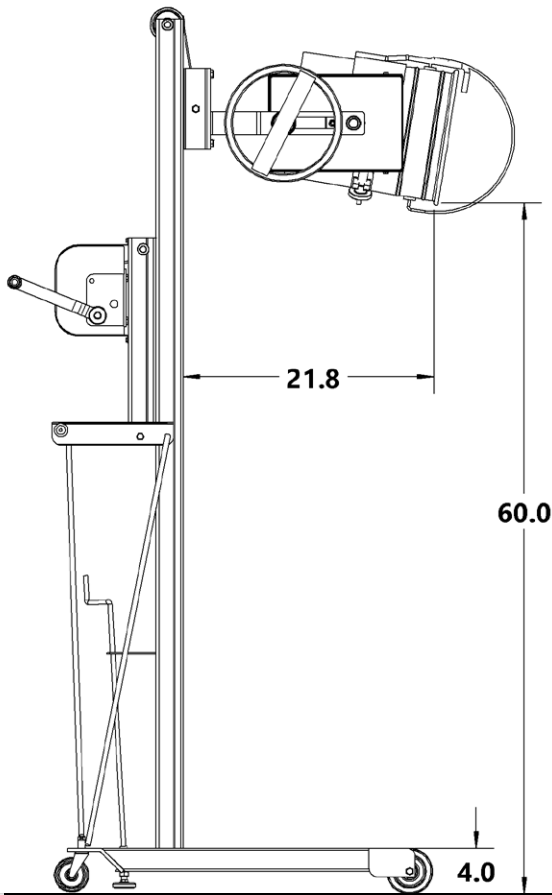
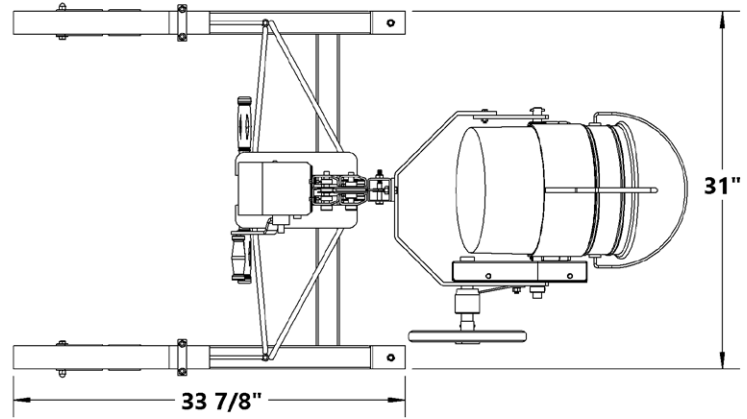
Dimensions of Model 83 PailPRO [™]
5-Gallon Pail Handler

150 Lb. (68 kg) Capacity



Dimensions with
Counterweight Kit # 3930-P Installed

75 Lb. (34 kg) Capacity



MADE
 IN
 USA