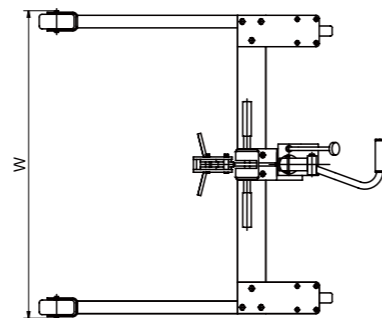
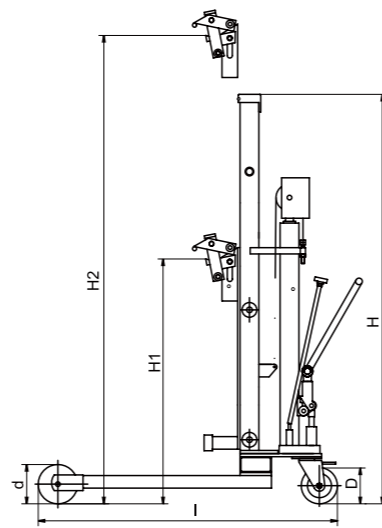


# Drum Truck

Capacity 300KG



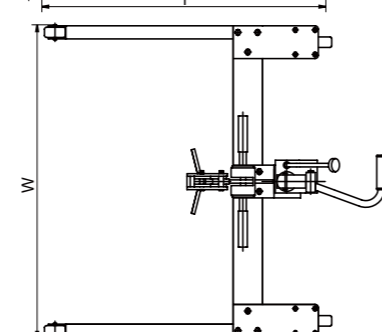
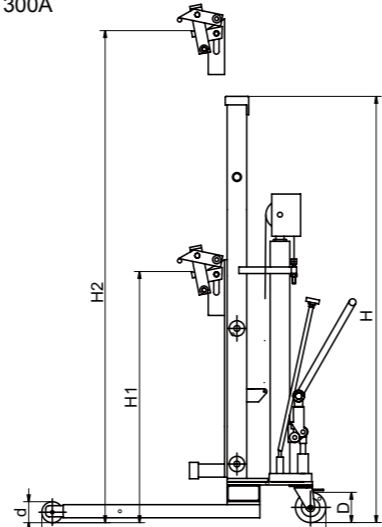
DT300A



DT300A



DT300B



DT300B

- Ergonomic lifts, transports, and places poly, steel, or fiber drums on or off pallets.
- A spring-loaded clamp securely holds any rimmed drum.
- High lifting height for ledge and car.
- Compact design and less effort operation.
- Disassembling easy and for small carton store.

Model	DT300A	DT300B (Low Profile)
Lifting Capacity (kg)	300	300
Drum Size	572mm(22.5" Diameter),210Lifters(55gallon)	572mm(22.5" Diameter),210Lifters(55gallon)
Front Wheel Dia.xWidth (mm)	Ø125x32	Ø64x37
Rear Castor Dia.xWidth (mm)	Ø125x32	Ø80x32
Net Weight (kg)	72	68
Lifting Height (mm)	805	805

## Drum Truck

- For lifting, turning, mixing, emptying and transporting drums.
- Hydraulic cylinder with pipe breakage protection. Hydraulic lifting with pedal.
- Drums are turned with hand crank. 2 castors, 1 swivel castor with wheel stop, solid rubber wheels.
- For 200 litre steel drums with rolling hoops.
- For plastic and steel drums, Ø400-600mm.



WB30



WE30

Model		WB30	WE30
Type		Manual	Electric
Capacity (kg)		300	300
Drum Size (mm)		Ø572x900	Ø572x900
Front Wheel (mm)		Ø200	Ø200
Rear Wheel (mm)		Ø150	Ø150
Strokes to Maximum Lifting Height Approx		82	—
Lifting Speed Approx (mm/s)		—	40
Power Unit (KW)		—	150
Battery (V/Ah)		—	12/60