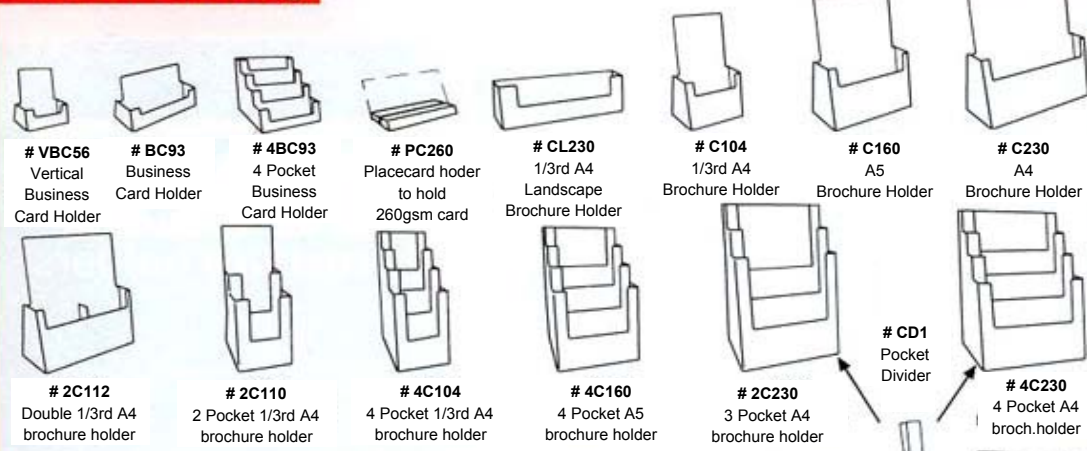
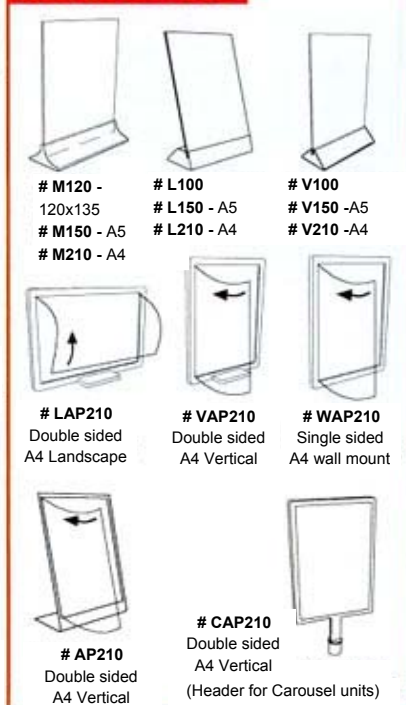


MODULAR BROCHURE HOLDER DISPLAY SYSTEM

Counter Standing

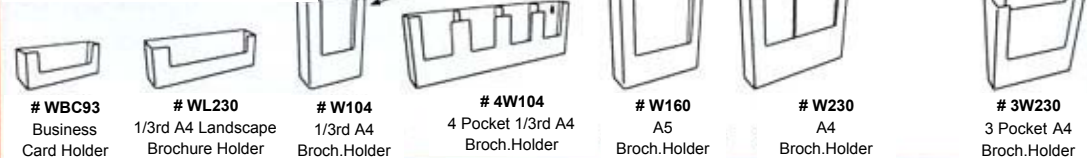


Information & Menu Holders



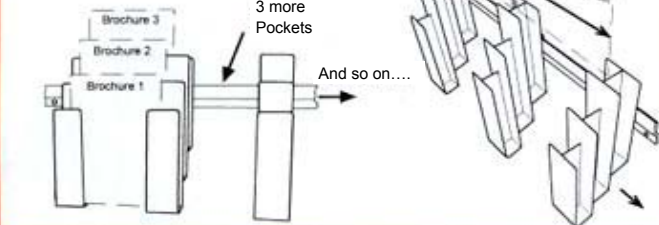
Wall Mounting

Use angle Bracket (# AB1) to convert wall mounting to free standing

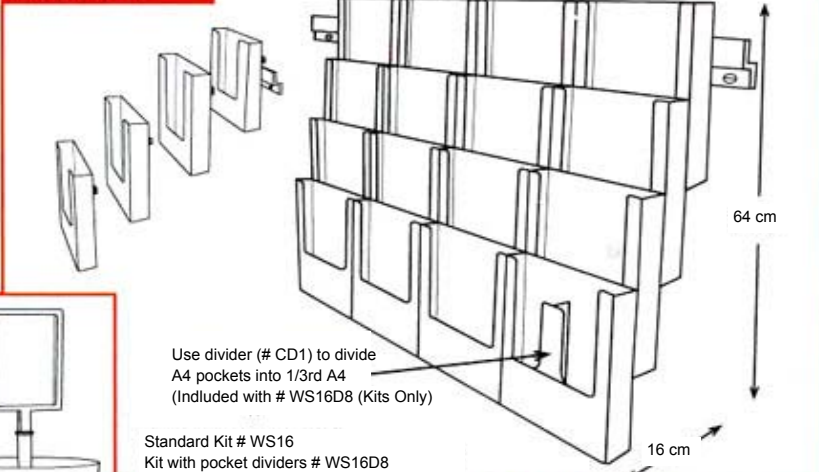


Adjustable Wall System

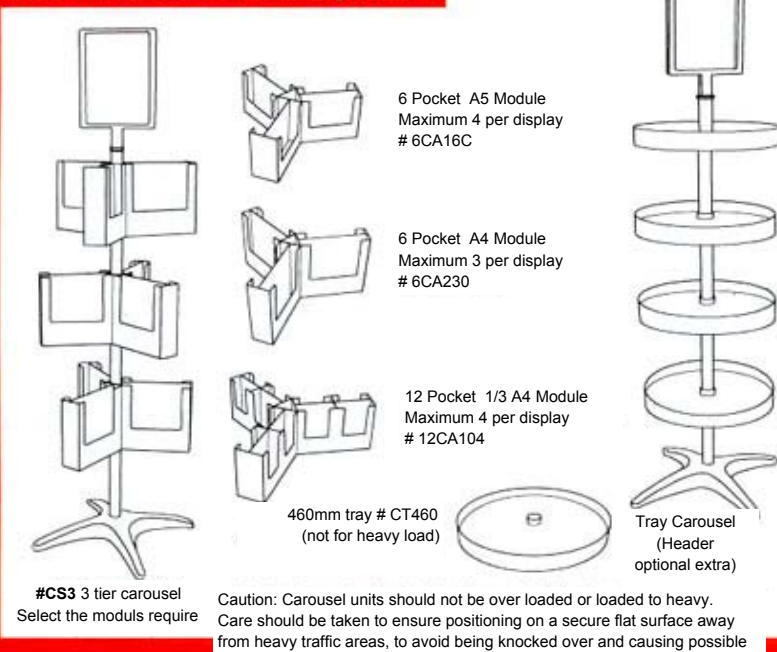
To clip on aluminium strip (# 3PAS)
To Attach to slatted wall (# 3PW)
Flat back model # 3PFB)



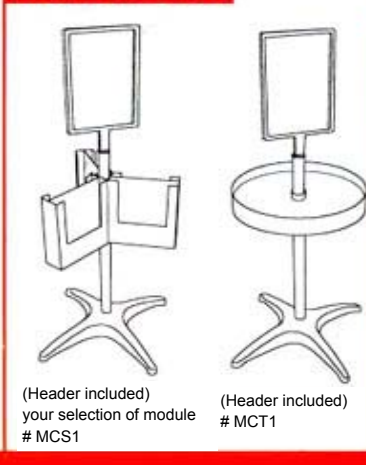
Wall System (in kit form)



Modular Carousel System



Mini Carousel



Counter Carousel

