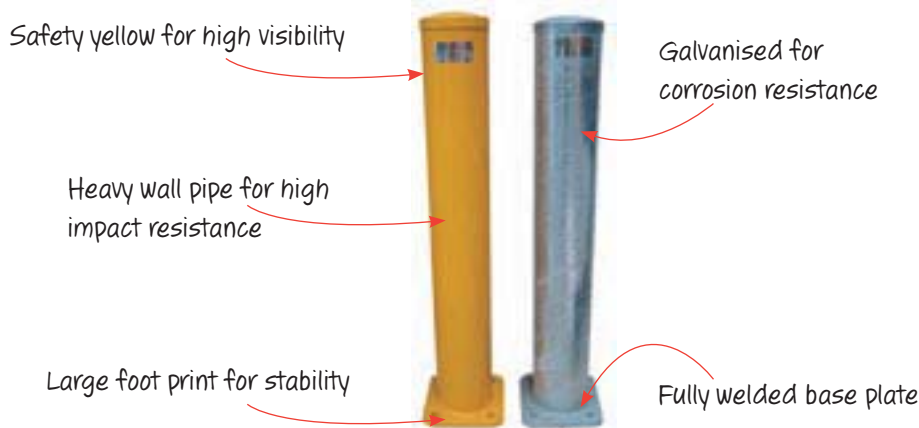


Tru-Gard™ Bollards

Tru-Gard Bollards are engineered to provide maximum protection against vehicle and fork truck damage to your building and assets. Because of the demanding environments that are encountered, a large range of Tru-Gard Bollards are available. To ensure long lasting performance, all bollards are available galvanised or "safety yellow."



Standard Bollards and **Large Bollards** are the most popular for protection of pallet racking, door tracks and corners of walls. Ground mounts, to set into the concrete, are also available for extra heavy duty mounting.



Removable Bollards placed in front of entrances and roller doors offer excellent security and protection from ram-raids. Removable bollards are also ideal for restricting vehicle access.



Door Frame Bollards give maximum protection to your door and door frame. This can prevent thousands of dollars of damage from wide vehicles and extra high fork lift trucks.



Personnel Frames help prevent foot traffic from entering the path of heavy traffic. When placed in front of personnel doors, the frame ensures that your staff will not walk directly into the path of dangerous heavy traffic.



Code	Description
------	-------------

SB115Y	Standard Bollard Safety yellow, 115mmø, 1100mm high, 4 x M16 x 140WA
--------	--



SB115G	Standard Bollard Galvanised, 115mmø, 1100mm high, 4 x M16 x 140WA
--------	---



SB115-GM	Standard Bollard Ground Mount Galvanised, 115mmø, 550mm high, 4 x M16 x 60 Bolts
----------	--

RB115G	Removable Bollard Galvanised, 115mmø, Removable and Lockable 990mm high
--------	--



LB165Y	Large Bollard Safety yellow, 165mmø, 1100mm high, 4 x M16 x 140WA
--------	---



LB165G	Large Bollard Galvanised, 165mmø, 1100mm high, 4 x M16 x 140WA
--------	--

LB165-GM	Large Bollard Ground Mount Galvanised, 165mmø 550mm high, 4 x M16 x 60 Bolts
----------	--



SSB	Custom Stainless Steel Bollards on request
-----	--

Code	Description
DF115Y	Door Frame Bollard—Safety yellow, 115mmø 8 x M16 x 60 Bolts, 8 x M16 x 140WA
DF115G	Door Frame Bollard—Galvanised, 115mmø 8 x M16 x 60 Bolts, 8 x M16 x 140WA
DF165Y	Door Frame Bollard—Safety yellow, 165mmø 8 x M16 x 60 Bolts, 8 x M16 x 140WA
DF165G	Door Frame Bollard—Galvanised, 165mmø 8 x M16 x 60 Bolts, 8 x M16 x 140WA



PF240Y Personnel Frame—Safety yellow, 950mmH x 2400mmL
8 x M12 x 100WA



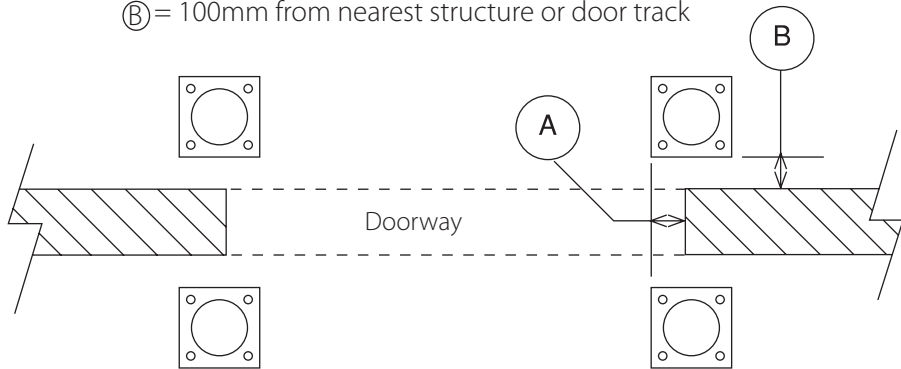
Technical Data

SPACEPAC
INDUSTRIES Pty. Ltd.
39 Ellen St. Wollongong NSW 2500, AUSTRALIA
Phone: +61 2 4227 3444 • 1300 763 444
Fax: +61 2 4226 2208 • ABN 98 002 454 462
spacepac@spacepac.com.au

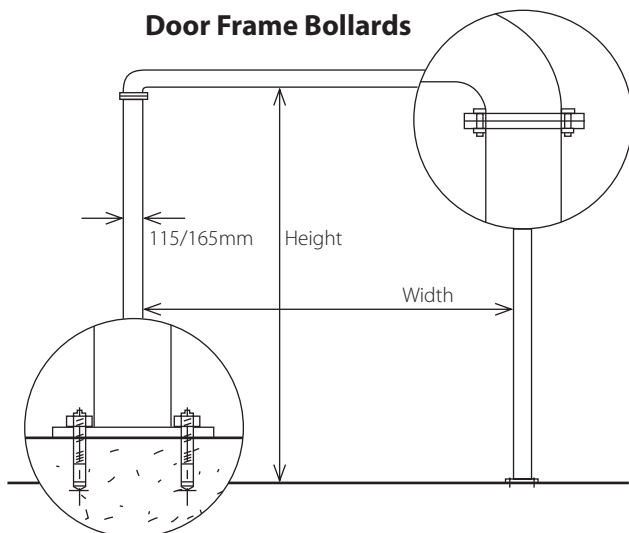
Product Title: TRU-GARD Bollard + Code #

Recommended Bollard placement

- Ⓐ = 50mm into doorway to protect door jambs
- Ⓑ = 100mm from nearest structure or door track



Door Frame Bollards



Bollard Installation

