

SULO PLASTIC REFUSE CONTAINER SYSTEM

- These Refuse containers are produced from a Specially developed low pressure polyethylene.
- They comply with existing quality standards for Plastic Refuse Containers. They are frost, heat and Chemical proof, protected against UV-Rays, sturdy and practically indestructible.
- Light weight and can be transported quietly and safely on easy rolling rubber tyre wheels.
- Standard Colours-Dark Green, Nature Green and Grey.
- Available Colours-Blue, Red, Orange, Yellow, White, Food Grade and Purple



80 ltr

80 Litres Standard Bin #SU80xxx

80 Litres Coloured Bin #SU80xxx



120 ltr

120 Litres Standard Bin #SU120xxx

120 Litres Coloured Bin #SU120xxx



140 ltr

140 Litres Standard Bin #SU140xxx

140 Litres Coloured Bin #SU140xxx



240 ltr

240 Litres Standard Bin #SU240xxx

240 Litres Coloured Bin #SU240xxx

Bins may be supplied unassembled.

Our policy of constant improvement may lead to change to specifications/prices without notice.

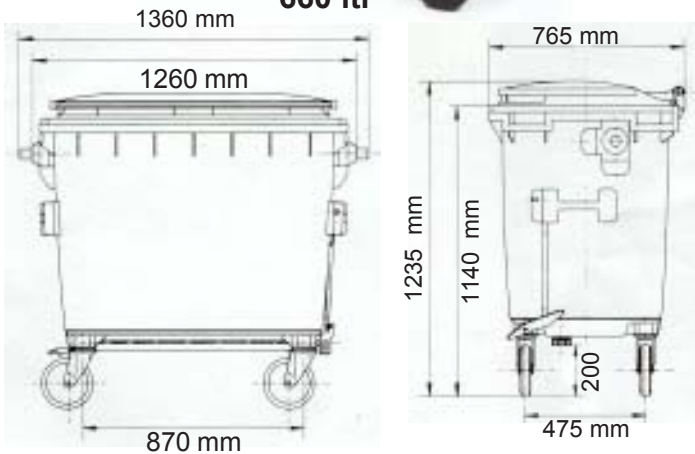
1st August 2005

SULO PLASTIC REFUSE CONTAINER SYSTEM

- Substantial weight saving : Approx. 60% lighter in comparison with steel containers.
- Compact Injection moulding procedure.
- Quietly rolling wheels equipped with steering locks require no service.
- Standard Colours-Dark Green, Nature Green and Grey.



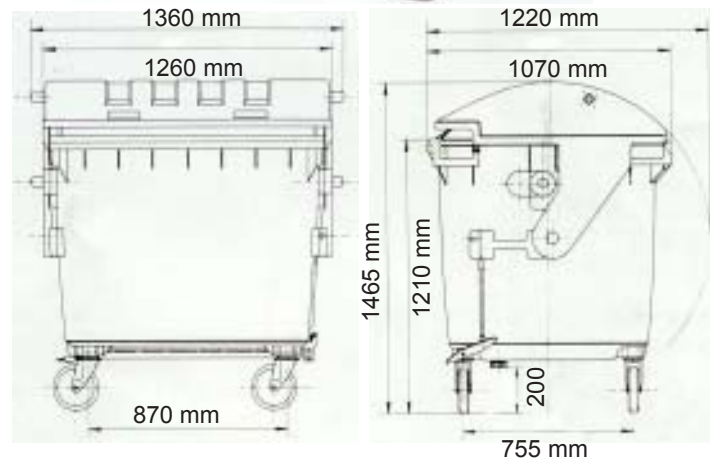
660 ltr



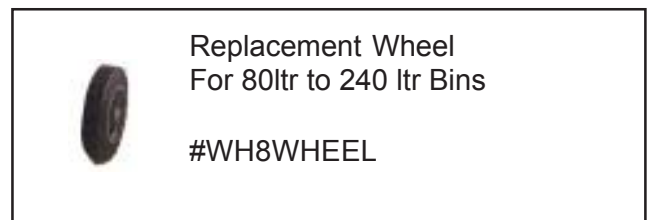
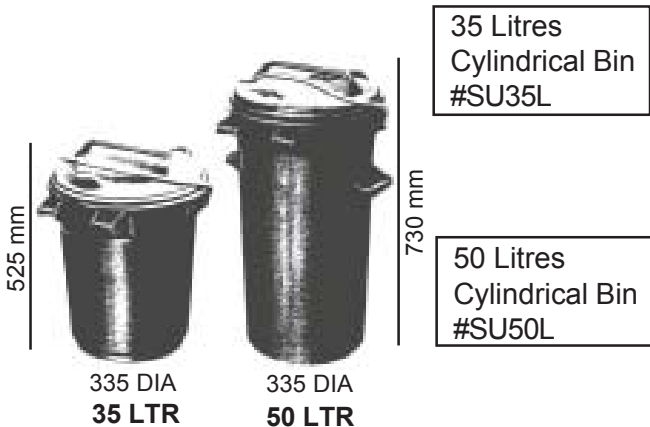
660 Litres Standard Bin #SU660xxx



1100 ltr



1100 Litres Domed Bin #SU1100xxx



Bins may be supplied unassembled.

Our policy of constant improvement may lead to change to specifications/prices without notice.