

Replaces all previous versions

Effective 1st March 2005

VITAL Chain Blocks

A range of heavy-duty chain blocks suitable for many applications in the industrial, rural, construction and mining industries.

Special Features

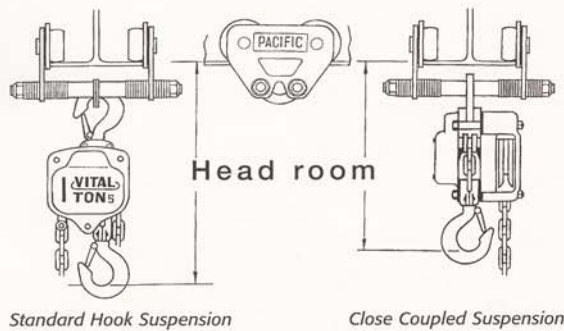
- ➔ Made in Japan from optimum high quality steel to conform to the strict J.I.S. and I.S.O. regulations
- ➔ Designed for long term use providing the lowest possible per-use cost
- ➔ Quality caged needle bearing on load sheave and thrust bearing on bottom hook
- ➔ Hardened special alloy steel load chain identification marked to relevant standards

Corrosion Protection

Pacific Hoists can supply VITAL Chain Blocks with heavy duty, mechanically plated corrosion protection designed to withstand the rigors of corrosive environments in industrial and marine applications

Coupled to Trolleys

Can be close coupled to trolleys to reduce headroom

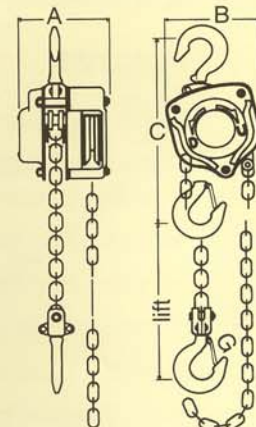


**C
H
A
I
N
S

B
L
O
C
K
S**

Model		05VH5	10VH5	15VH5	20VH5	30VH5	50VH5	75VH5	90VH5	92VH5	93VH5
Capacity	tonne	0.5	1.0	1.5	2.0	3.0	5.0	7.5	10	15	20
Standard Lift	m	3.0	3.0	3.0	3.0	3.0	3.0	3.0	3.0	3.0	3.0
Net Weight	kg	8.6	11.5	13.8	21.6	22.0	41.0	60.5	77.5	150	190
Headroom C	mm	305	345	370	425	505	635	740	760	850	870
Pull to Lift Load	kg	25	33	34	34	35	39	41	41	41x2	41x2
Dimensions	A	mm	127	147	147	179	147	179	179	207	207
	B	mm	144	157	174	204	206	263	345	367	745
	G	mm	27	30	34	37	43	47	67	67	87

Chain Blocks with custom lift heights also available.



All prices/specifications subject to change without notice.

Replaces all previous versions

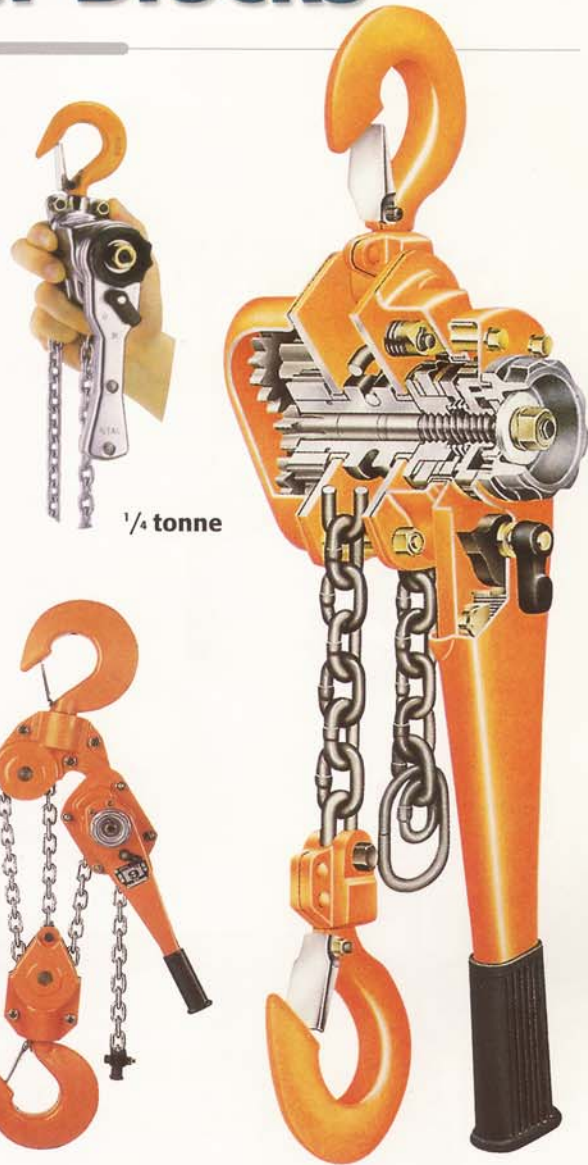
Effective 1st March 2005

VITAL Lever Blocks

An extremely sturdy, highly versatile tool suitable for a multitude of lifting, pulling, tensioning and securing applications.

Special Features

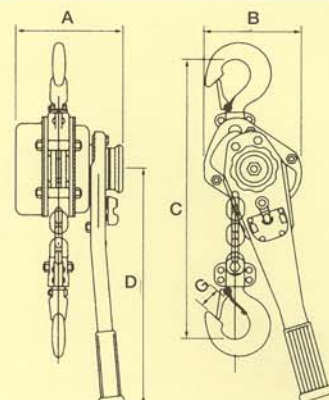
- ➔ One touch operation for free chain adjustment
- ➔ Light weight and exceptionally strong
- ➔ Robust all-steel construction ensures safety
- ➔ Used extensively in shipbuilding, coal mining, forestry, power transmission, construction etc.
- ➔ Special underground mining model "VR" available



³/₄-1 tonne 1 1/2 tonne 3 tonne 6 tonne 9 tonne

CHAINS
BLOCKS

Model		NR2-03	NR2-05	NR2-08	NR2-10	NR2-15	NR2-30	NR2-60	NR2-90
Capacity	tonne	1/4	1/2	3/4	1	1-1/2	3	6	9
Standard Lift	m	1.0	1.5	1.5	1.5	1.5	1.5	1.5	1.5
Net Weight	kg	1.9	3.5	6.0	7.2	9.8	16.6	27.0	47.3
Headroom C	mm	230	260	295	325	350	425	565	680
Pull to Lift Load	kg	30	34	21	23	27	38	39	40
Chain Diameter	mm	4.0	5.0	5.6	6.3	7.1	9.0	9.0	9.0
Dimensions	A	mm	85	110	146	146	191	191	191
	B	mm	65	82	119	126	146	180	243
	D	mm	150	267	256	256	368	368	368
	G	mm	24	27	27	30	34	43	47



All prices/specifications subject to change without notice.

Replaces all previous versions

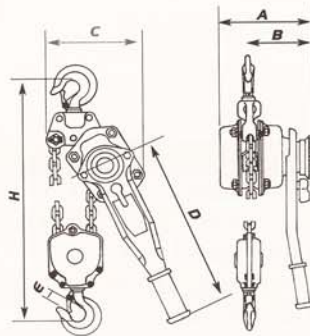
Effective 1st March 2005

PACIFIC Lever Blocks

A range of cost-effective lever blocks suitable for most lifting and tensioning operations.

Special Features

- ➔ Light weight, compact and portable
- ➔ High transmission efficiency with single action free wheel ability for ease of use
- ➔ All steel quality construction with powder coated finish
- ➔ Zinc plated load chain on all standard lift heights
- ➔ Complies to AS1418.2



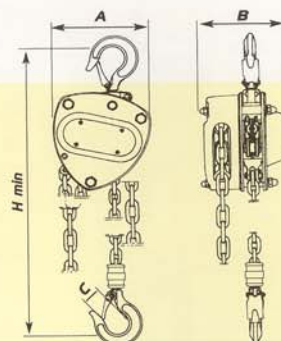
Capacity tonnes	Standard Lift m	Net Weight kg	Pull to Lift Load kg	Dimensions					
				A mm	B mm	C mm	D mm	E mm	H mm
0.25	1	2.1	29	92	71	70	158	20	245
0.5	1.5	4.8	32	110	84	125	278	23	310
0.75	1.5	6.2	23	149	89	128	278	26	310
1.5	1.5	9.5	30	171	102	145	378	36	385
3	1.5	20.2	39	204	114	203	388	44	460
6	1.5	32	40	204	114	243	388	50	600

PACIFIC Chain Blocks

The economical alternative that features sturdy construction and complies with strict Australian Standards.

Special Features

- ➔ Compact and lightweight for easy handling
- ➔ Steel structural components for maximum strength
- ➔ High tensile alloy steel chain for safety and reliability
- ➔ Zinc plated load chain on all standard lift heights
- ➔ Heat treated triple spur gears, shaft and pinions
- ➔ Complies to AS1418.2



Capacity tonnes	Standard Lift m	Net Weight kg	Pull to Lift Load kg	Dimensions			
				A mm	B mm	C mm	H mm
0.5	3	11	23	140	128	22	280
1.0	3	12	25	162	150	27	295
2.0	3	20	35	205	184	32	370
3.0	3	24	35	230	165	36	500
5.0	3	39	38	275	191	41	600



CHAINS BLOCKS

All prices/specifications subject to change without notice.