

Forklift Attachments

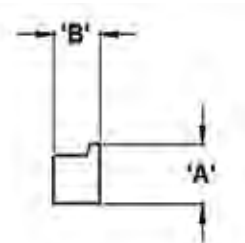
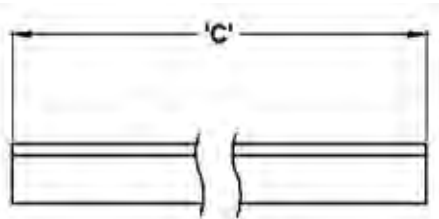
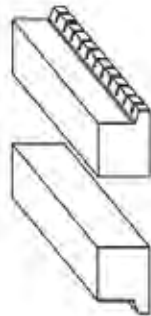
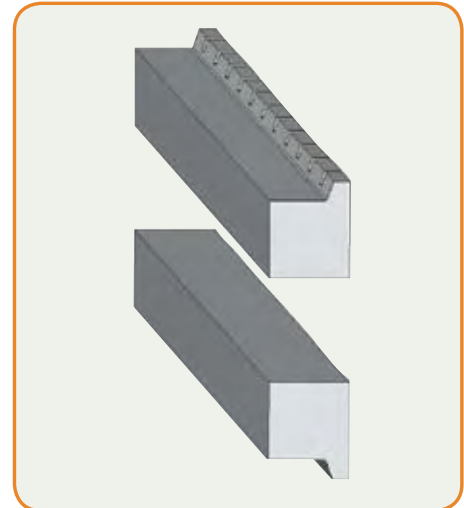
Carriage Bar

**Type FCB Carriage Bar**

FCB Carriage Bar supplied by East West Engineering has been designed in accordance with AS2359.11. Carriage bar is supplied in pairs, consisting of one lower and one upper bar.

Manufactured from high tensile grade steel, ready for welding into standard carriages.

- High tensile steel
- Precision machined
- ISO / FEM compliant



*Upper and lower carriage bar have the same profile.  
Cut out notches in upper bar only to suit fork tine locking.*

Type	ISO / FEM	Class Bar Size (mm)			Weight per pair (kg)
		A	B	C	
FCB2-102-P	Class 2	60	50	1020	41
FCB3-102-P	Class 3	70	50	1020	49
FCB4-160-P	Class 4	150	50	1600	188

Forklift Attachments

Tarp Spreader

**Type TS Tarp Spreader**

The TS Tarp Spreader is used to safely cover high truck loads with a tarpaulin by forklift. This slip on attachment is easily fitted onto the fork tines and is secured by a safety chain.

The prong is secured by a locking pin and can be easily removed to allow convenient storage or replacement if damaged.

**NOTE: We recommend a minimum forklift size of 2.5 tonne lift capacity.**

- Fork Pocket size: 165 mm x 65 mm
- Fork Pocket Centres: 745 mm
- Safe Working Load: 200 kg
- Load Centre: 600 mm
- Unit Weight: 150 kg

