



ECONOMY RUBBER SPEED HUMP

This speed hump is an economical alternative to more expensive models. It is ideally suited to low traffic environments such as unit and town house developments or for short term installations.

They are manufactured from a mixture of natural and recycled rubber. When laid in an alternating pattern they conform to AS 2890.1:2004.

Can also be used as a liquid bunding if installed with a sealant, e.g. silastic.

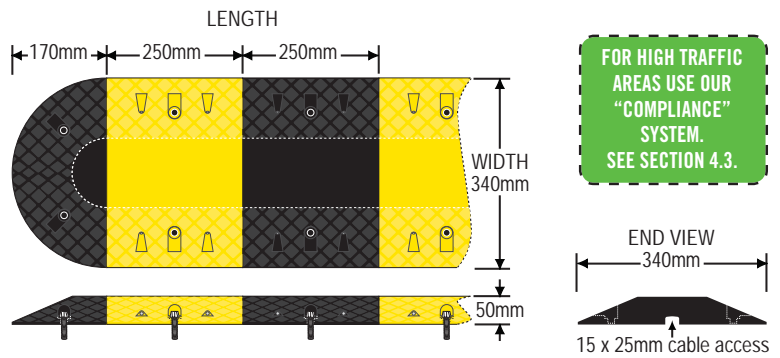


Value features:

- » Designed to comply with AS 2890.1:2004.
- » Can be used with or without end caps.
- » Comes complete with all fixings.
- » Concealed fixings remain accessible.
- » Built in bridge design to accommodate a cable or hose (when used without end caps).

Specifications

Description:	Economy Rubber Speed Hump.
Material:	Recycled and Natural rubber.
Length:	Body 250mm (i.e. 4 modules per metre), End 170mm.
Width:	340mm.
Height:	50mm.
Weight:	Body 4kg / End 2kg.
No. of fixings:	2 per body / 4 per pair of ends.



FOR HIGH TRAFFIC AREAS USE OUR "COMPLIANCE" SYSTEM. SEE SECTION 4.3.

PART No.	DESCRIPTION
SME50B	50mm Economy Rubber Black Modules
SME50Y	50mm Economy Rubber Yellow Modules
SME50E	50mm Economy Rubber Black End (pair)

SECTION 4.2

TRAFFIC CALMING RUBBER SPEED HUMP

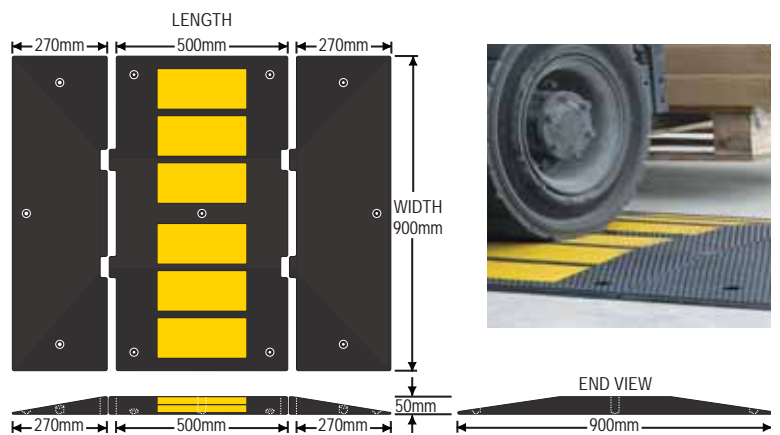
Traffic Calming speed humps are designed for situations where traffic speed needs to be controlled but a traditional speed hump is not suitable.

Smoother approach and departure angles mean a wider range of vehicles can pass over them.

Solid rubber construction means these traffic calmers are capable of handling heavy traffic. Safety yellow anti-slip insert panels increase visibility and improve pedestrian safety.

Value features:

- » Full load bearing contact area with road surface.
- » Convenient modular system can be configured to any length.
- » All modules supplied with fixings.
- » Concealed fixings remain accessible.
- » Highly shock absorbent rubber is both quiet and smooth in operation.
- » Rubber construction conforms to uneven surfaces.
- » Middle sections fitted with high visibility non-slip panels.



Specifications

Description:	Traffic calming system using interlocking body and end modules.
Material:	Solid natural and recycled rubber.
Finish:	Moulded black rubber with yellow panels.
Length:	Body 500mm / End 270mm.
Width:	900mm (both Body and End modules).
Height:	50mm.
Weight:	Body 20kg each / End 15.7kg pair.
No. of fixings:	5 per body, 6 per pair of ends (supplied).

PART No.	DESCRIPTION
SMTC900	Traffic Calming – middle 900 x 500mm
SMTC900E	Traffic Calming – ends 900 x 270mm (pair)

PLEASE NOTE

End caps for the traffic calming rubber speed humps are sold as a male & female pair only.