

U-BARS – Heavy duty

The modular design of these heavy duty U-Bars mean they are adaptable to a wide range of uses. They are manufactured from heavy wall steel tube 90mm in diameter and hot dip galvanised. Powder coating in a colour of choice is optional.

There are two styles, surface mount and below ground, with each style being available in three sizes for a total of six standard options.

Surface mount models are fixed at 700mm above ground, while the height of below ground models can be regulated simply by embedding them more or less into their concrete footings.

Modular design

UB100 models consist of 2 components, a male leg and female leg. The 2 halves slip together and are secured using the connector pins provided.

UB150 and UB200 models operate in the same way as above except that they have a third component, the expansion tube.

The expansion tube has a male end and a female end and fits between the 2 legs. Changing the length of the expansion tube allows U-bars of different lengths to be achieved.

Value features:

- » Heavy duty 5mm thick wall.
- » Flexible modular design.
- » Hot dip galvanised finish.
- » Powder coating option at no cost.
- » Surface mount and below ground models.
- » Easy on site assembly with fixings supplied.

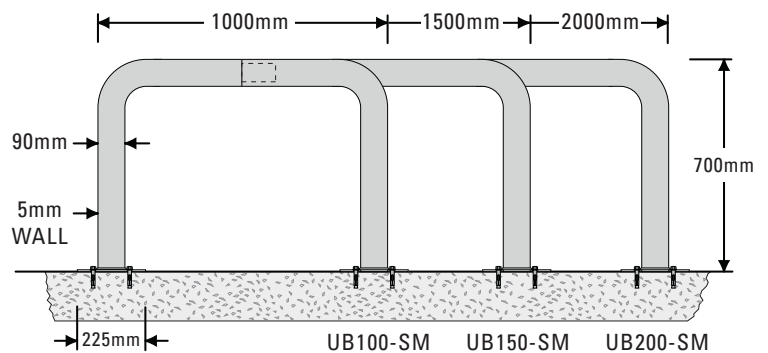
Specifications:

Description:	Modular steel U-Bar system.
Material:	Steel pipe 90mm diameter with a 5mm wall.
Finish:	Hot dip galvanised (powder coating optional).
Height:	Above ground 700mm. Below ground 500mm.
Width:	1000, 1500 or 2000mm.
Weight:	UB100 approx. 31kgs. UB150 approx. 36kgs. UB200 approx. 41kgs.
Installation:	6mm thick surface flange 225mm in diameter with 8 of 12 x 60mm masonry anchors for surface mount model. Below ground model has welded concrete starter bars.
Fixings:	Supplied with surface mount models. Connector pins supplied with all models.

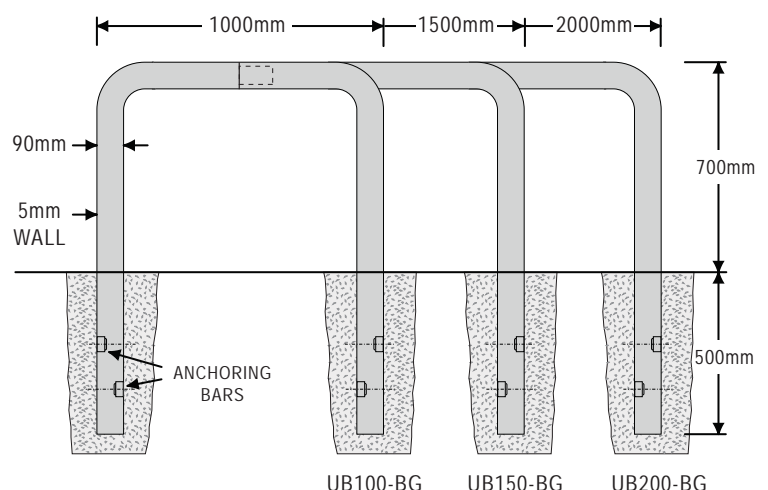
PART No.	DESCRIPTION
UB100SM-G	1 metre surface mount U-Bar (2 piece) – Galvanised
UB100BG-G	1 metre below ground U-Bar (2 piece) – Galvanised
UB150SM-G	1.5 metre surface mount U-Bar (3 piece) – Galvanised
UB150BG-G	1.5 metre below ground U-Bar (3 piece) – Galvanised
UB200SM-G	2 metre surface mount U-Bar (3 piece) – Galvanised
UB200BG-G	2 metre below ground U-Bar (3 piece) – Galvanised



SURFACE MOUNT MODEL (Front view)



BELOW GROUND MODEL (Front view)



U-BARS – Light duty

These versatile U-Bars have a wide range of applications including handrails, bike storage, pedestrian chicanes at crossing points and impact protection barriers to name a few.

Manufactured from 3mm wall steel pipe, 48mm in diameter and hot dip galvanised as standard. Available in either surface mount or below ground models in square or round styles. Powder coating to a colour of choice is possible.

All models stand 800mm high. The below ground models can be set deeper into their concrete footings to achieve a lower profile if required. Powder coating or reflective bands available as an option if required.

Ideal for schools, shopping centres, walkways or warehouses.

One piece design

All BR1 & BR2 model 'U' bars are manufactured from a single piece of steel tube. Base plates or concrete starter bars are welded and then the entire U-bar is hot dip galvanised as a single unit.



Value features:

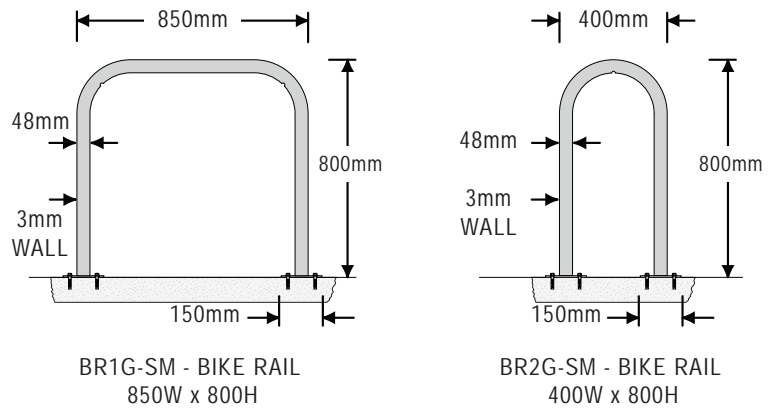
- » Suitable for a wide range of uses.
- » Heavy 3mm thick wall tube.
- » Hot dip galvanised finish.
- » Powder coating or reflective options available.
- » Surface mount and below ground models.
- » Two styles to choose from.
- » Surface mount supplied with fixings.
- » No assembly – ready for installation.

Specifications:

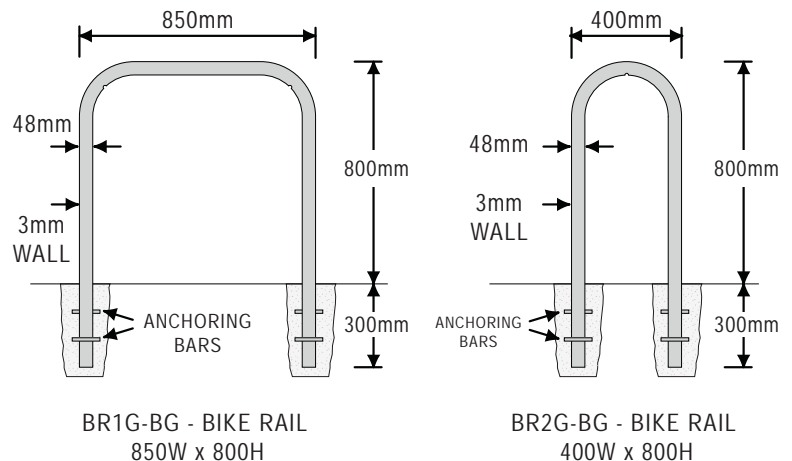
Description:	One piece steel U-Bars.
Material:	Steel pipe 48mm diameter with 3mm wall.
Finish:	Hot dip galvanised (powder coating optional).
Height:	Above ground 800mm. Below ground 300mm.
Width:	BR1 models 850mm. BR2 models 400mm.
Weight:	BR1 models approx. 9.2kgs. BR2 models approx. 8.5kgs.
Installation:	6mm thick surface flange 150mm in diameter with 6 of 10 x 50mm masonry anchors for surface mount model. Below ground model has welded concrete starter bars.
Fixings:	Supplied with surface mount models.

PART No.	DESCRIPTION
BR1G-SM	U-Bar/Bike rail 850W x 800H surface mount – Galvanised
BR1G-BG	U-Bar/Bike rail 850W x 800H below ground – Galvanised
BR2G-SM	U-Bar/Bike rail 400W x 800H surface mount – Galvanised
BR2G-BG	U-Bar/Bike rail 400W x 800H below ground – Galvanised

SURFACE MOUNT MODEL
(Front view)



BELOW GROUND MODEL
(Front view)



U-BARS – Double rail

A modular one-piece design U-bar barrier with fully welded knee rail. Suitable for pedestrian barriers at crossing points or traffic management in and around factory/warehouse areas.

Manufactured from 3mm wall steel pipe 48mm in diameter and hot dip galvanised as standard. Available in either surface mount or below ground models. All models stand 1040mm high above ground with a fully welded knee rail at 580mm high.

Powder coating and reflective bands are available as an option.

Ideal for schools, shopping centres, walkways or warehouses.

One-piece design

The fully welded and galvanised one-piece construction makes installation a quick and simple operation. No assembly required.

Value features:

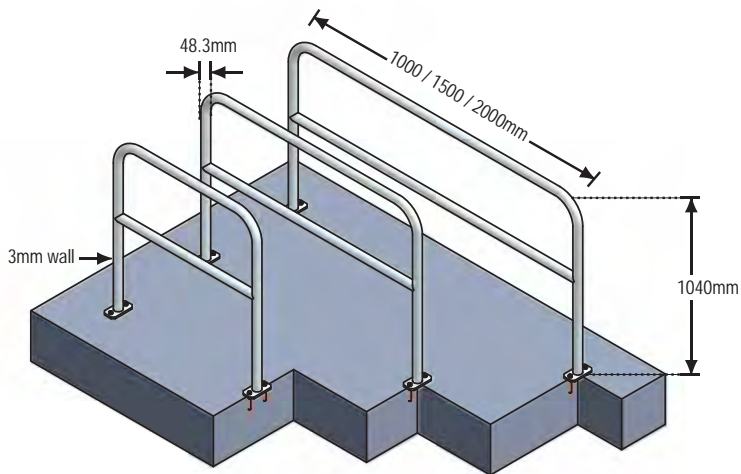
- » Available in three sizes in either below ground or surface mount.
- » Heavy 3mm wall, 48.3 diameter pipe.
- » Fully welded one-piece construction.
- » Hot dip galvanised for outdoor use.
- » No assembly required. Ready for installation.

Specifications

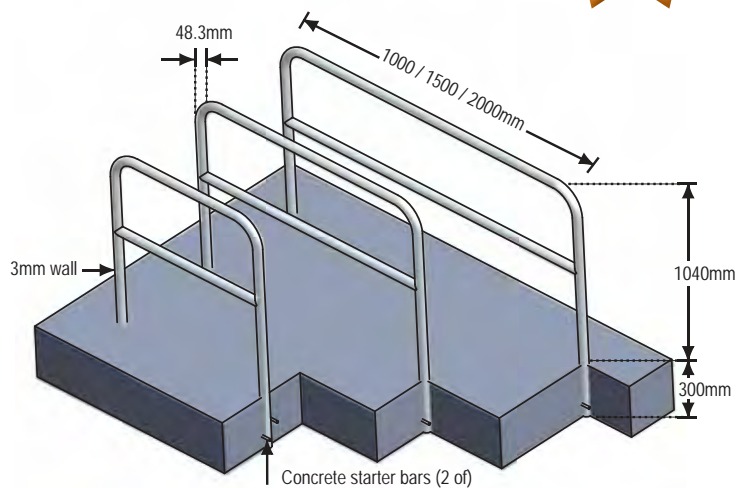
Description:	One-piece double rail U-bars.
Material:	Steel pipe 48.3mm dia. with 3mm wall.
Finish:	Hot dip galvanised (powder coating optional).
Height:	Above ground 1040mm. Below ground 300mm.
Weight:	UBD100 approx. 16kgs. UBD150 approx. 19.5kgs. UBD200 approx. 23.5kgs.
Installation:	Surface mount models base plate 150 x 75 x 10mm. Below ground models come with welded concrete starter bars.
Fixings:	Supplied with surface mount models.



1.5 metre U-bars shown with optional powder coated finish.



U-BAR DOUBLE RAIL SHOWING SURFACE MOUNT POSTS



U-BAR DOUBLE RAIL SHOWING BELOW GROUND POSTS

PART No.	DESCRIPTION
UBD100SM-G	1 metre surface mount double rail U-bar (Galvanised)
UBD100BG-G	1 metre below ground double rail U-bar (Galvanised)
UBD150SM-G	1.5 metre surface mount double rail U-bar (Galvanised)
UBD150BG-G	1.5 metre below ground double rail U-bar (Galvanised)
UBD200SM-G	2.0 metre surface mount double rail U-bar (Galvanised)
UBD200BG-G	2.0 metre below ground double rail U-bar (Galvanised)