

# OP Range - Mobile Garbage Bins - 2 Wheel series

Superior material quality and workmanship, low dead weight, user friendly: these are the outstanding features of wheeled plastic containers

Material high density polyethylene (HDPE)

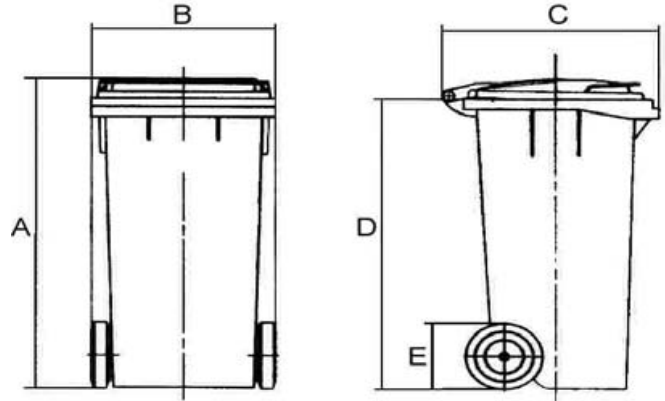
- Environment - friendly
- Long service life
- Suitable for recycling
- Frost - resistant
- Resistant to chemicals
- High resistance to UV radiation



60 Litre

120 Litre

240 Litre



Part number	Volume (L)	Dead weight approx. (KG)	Useful load (kg)	Overall Dimensions			D - Upper edge comb (mm)	E Wheel diam. (mm)	Trade \$ exc GST (Each)		
				A Height (mm)	B Width (mm)	C Depth (mm)			P1 Quantity (20+)	P2 Quantity (10-19)	P3 Quantity (1-9)
# MGB60L	60	8.4	40	658	465	534	593	200	Please email to <a href="mailto:spacepac@spacepac.com.au">spacepac@spacepac.com.au</a> for current pricing		
# MGB120L	120	11.3	48	935	480	560	870	200			
# MGB120L-PAPER	120	Bin with Slotted Lid & Lock for confidential Paper Recycling									
# MGB240L	240	15.5	96	1065	580	735	990	200			
# MGB240L-TL	240	Bin with Turbo Lid / Recycling Lid (#TURBLID240)									
# MGB240L-PAPER	360	Bin with Slotted Lid & Lock for confidential Paper Recycling									

Colours Available: Green, Grey, Black, Blue, Yellow, Orange, Red, Beige

Please Nominate the colour when ordering

**Optional:**

- Hot stamping
- Personal logo
- Embossed text by injection moulding
- Inmould labelling on request
- Recycling lid application
- Bio-hazard application & standards
- Safety application for absorbents
- Food pedal

**Comb-type frontal receiver**

- Deeper combs ensure optimum accommodation by the lifting device and facilitate the use of side loaders
- Chip nest positioning
- Comb design according to EN, DIN AFNOR and Australian standards (Pending)

**Handle bar**

- Larger tube diameter

**Wheel / Axle**

- Solid rubber tyres
- Corrosion protection

**Smooth interior**

- Ensure optimum emptying
- Easy cleaning

**BIN FOR CONFIDENTIAL PAPER RECYCLING WITH SLOTTED LID & LOCK (# MGB240L-PAPER)**

- Quality lock with stainless steel fastenings - 2 keys supplied

- Can be keyed alike on request (POA)

**ACCESSORIES & SPAREPARTS AVAILABLE ON REQUEST**



240L Shown



Extended handle option for 60L



Recycling Lid Option for 240L (Plastic injected type)

All prices/specifications subject to change without notice.

ADD 10% GST AUSTRALIA ONLY