
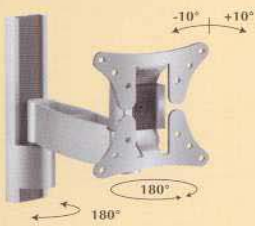
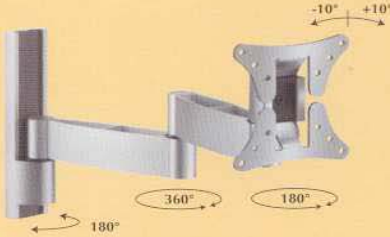

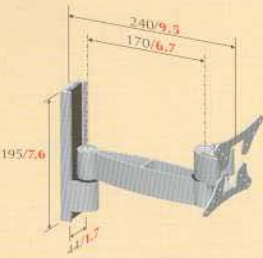
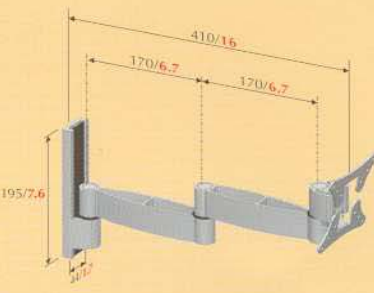











Replaces all previous versions

Effective 1st March 2004

vogel's® LCD & Plasma Wall Supports

| LCD WALL SUPPORT EFW 1001 | LCD WALL SUPPORT EFW 1020 | LCD WALL SUPPORT EFW 1030 |
|--|---|---|
|  |  |  |
|  <p style="text-align: right;">EFW1001</p> |  |  |
| <p style="text-align: right;">mm/inch</p> | <p style="text-align: right;">mm/inch</p> | <p style="text-align: right;">mm/inch</p> |
|  25-76 cm 10-30"  15 kg max. 33 lbs |  25-76 cm 10-30"  15 kg max. 33 lbs |  25-76 cm 10-30"  15 kg max. 33 lbs |
|  |  |  |



**PERSONALISE YOUR VOGEL'S SUPPORT
TO MATCH YOUR INTERIOR.**





5 Year Guarantee

All prices/specifications subject to change without notice.

Plasma & LCD wall supports

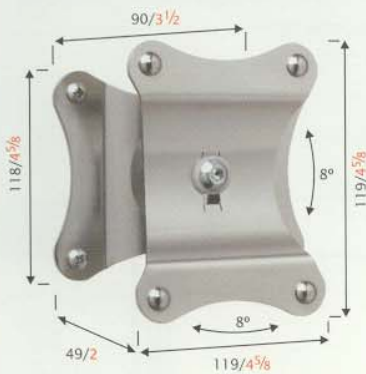
SPACEPAC
 INDUSTRIES Pty. Ltd.
 39 Ellen St. Wollongong NSW 2500, AUSTRALIA
 Phone: +61 2 4227 3444 • 1300 763 444
 Fax: +61 2 4226 2208 • ABN 98 002 454 462
 spacepac@spacepac.com.au



EFW 1005

LCD 10"-30"

>Juli 2002



Universal LCD wall support

- Incl. adapter for VESA fitting: 50x50 mm, 75x75 mm, 100x100 mm
- For Sharp and Samsung LCD displays, among many others



Kg 15 kg
33 lbs



EFW 2001

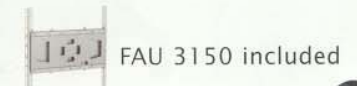
Plasma 42"-50"



Universal fixed plasma wall support

- Auto-lock®
- Horizontal as well as vertical plasma mounting
- 42"/50" adapter included

1



Kg 60 kg
132 lbs



EFW 2005 Plasma 42"-50"

Universal tilting plasma wall support

- Horizontal as well as vertical plasma mounting
- "Smooth tilt" due to dual gas springs
- Auto-lock®
- 42"/50" adapter included
- Optional multiple supports available

Gas springs/sockets

FAU 3150 included

30 - 60 kg
66 - 132 lbs

EFW 2010 Plasma 42"-50"

Universal turn & tilt plasma wall support

- Horizontal as well as vertical plasma mounting
- "Smooth tilt" due to dual gas springs
- Auto-lock®
- 42"/50" adapter included
- Optional multiple supports available

Gas springs/sockets

FAU 3150 included

30 - 60 kg
66 - 132 lbs

