



ROLLER DRAWER



PRACTICAL

Utilises previously wasted space, optimises storage capacity whilst keeping tools hidden.



SECURE

Slimline chrome lock coupled with 3 point latch system secures drawer firmly during transit.



DURABLE

Tough all-galvanised construction for a long and hassle free life.



SEAMLESS

Sealed-for-life bearings delivering smooth, seamless operation time after time.



WATER RESISTANT

With Shoebox Cover



WIDTH

Standard is 510, 560 & 750mm



CAPACITY

150Kg Distributed Load



WARRANTY

3 Months



Available in the Following Standard Sizes:

CODE	DESCRIPTION	Dimensions (mm)	Shipping (mm)	Shipping Weight (kg)		
# 15170	Roller Drawer C/W Top Panel & Lock	1500L x 750W x 170H	158 x 95 x 24	72		
# 17170	Roller Drawer C/W Top Panel & Lock	1700L x 750W x 170H	178 x 95 x 24	75		
# 18170	Roller Drawer C/W Top Panel & Lock	1800L x 750W x 170H	188 x 95 x 24	85		
# 21170	Roller Drawer C/W Top Panel & Lock	2100L x 750W x 170H	218 x 95 x 24	99		
# 15192	Roller Drawer C/W Top Panel & Lock	1500L x 750W x 192H	158 x 95 x 26	74		
# 18192	Roller Drawer C/W Top Panel & Lock	1800L x 750W x 192H	188 x 95 x 26	86		
# 21192	Roller Drawer C/W Top Panel & Lock	2100L x 750W x 192H	218 x 95 x 26	102		
# 21192T	Roller Drawer C/W Top Panel & Lock	2100L x 510W x 195H	218 x 71 x 26	85		
# 15170SB	Roller Drawer C/W Top Panel & Lock	1500L x 560W x 170H	158 x 65 x 24	64		
# 18170SB	Roller Drawer C/W Top Panel & Lock	1800L x 560W x 170H	188 x 65 x 24	70		

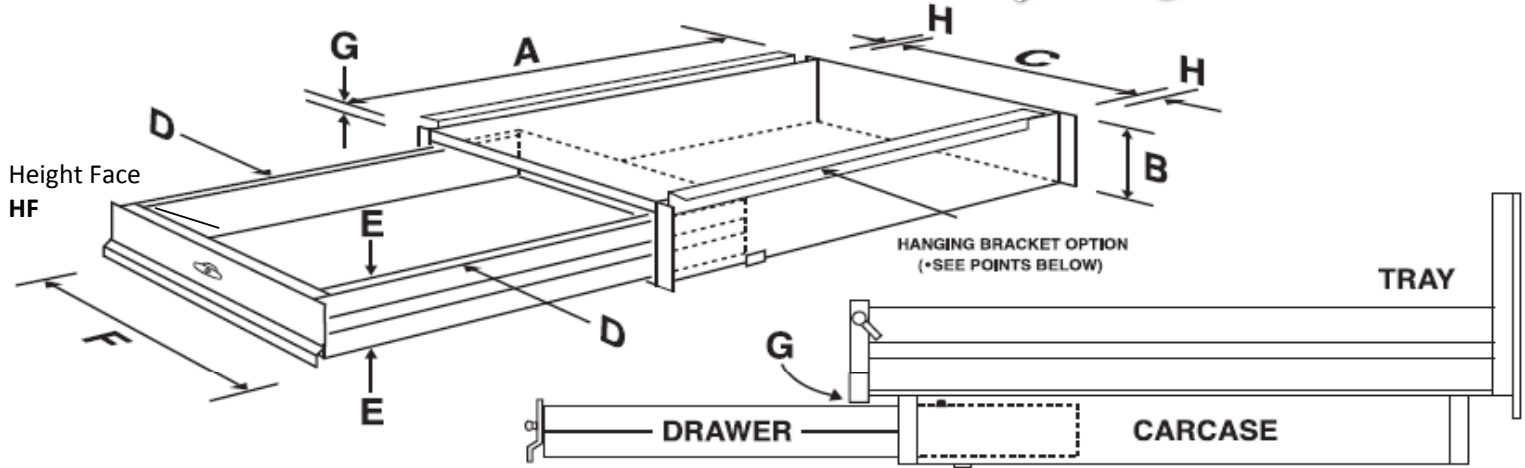
Please email to sales@spacepac.com.au for current pricing

Non Standard Units made to Order - P.O.A.

Freight charge Additional

All prices/specifications subject to change without notice.

ROLLOC® ROLLER DRAWER Specifications



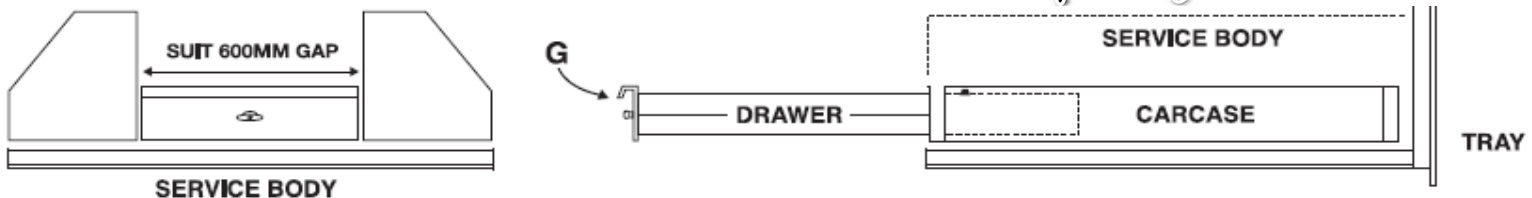
Max. Load rating = 150 kg evenly distributed

CODE	A	B	C	D	E	F	G	H
	carcase LENGTH (mm)	carcase HEIGHT (mm)	carcase WIDTH (mm)	drawer WEIGHT (mm)	drawer HEIGHT (mm)	face WIDTH (mm)	combining OFFSET	mounting angle WIDTH
# 15170	1500	170	750	685	125	880	29	35
# 17170	1700	170	750	685	125	880	29	35
# 18170	1800	170	750	685	125	880	29	35
# 21170	2100	170	750	685	125	880	29	35
# 15192	1500	192	750	685	145	880	29	42
# 18192	1800	192	750	685	145	880	29	42
# 21192	2100	192	750	685	145	880	29	42
# 21192T	2100	192	510	445	145	640	29	42

OPTIONAL - NO COST

- 25mm Hanging Bracket option: For ordering, add prefix 'HB' (eg. HB15170)
- Height Face Extra 10mm on standard - to suit 19mm offset combining rail. For ordering add suffix 'HF' (eg.15170HF)

SERVICE BODY ROLLER DRAWER Specifications



CODE	A	B	C	D	E	F	G	H
	carcase LENGTH (mm)	carcase HEIGHT (mm)	carcase WIDTH (mm)	drawer WEIGHT (mm)	drawer HEIGHT (mm)	face WIDTH (mm)	face HANDLE	mounting angle WIDTH
# 15170SB	1500	170	560	495	125	600	TOP	17
# 18170SB	1800	170	560	495	125	600	TOP	17

IT IS THE INSTALLERS RESPONSIBILITY TO ENSURE, THE DRAWER IS SECURELY MOUNTED AND ALL STOPS IN PLACE BEFORE USING.

Non Standard Units made to Order - P.O.A.

All prices/specifications subject to change without notice.