

Replaces all previous versions

Effective 1st December 2004

# CLAX<sup>®</sup>

The *clever* folding cart.

## INSTRUCTIONS FOR USE

Please read carefully before use.



english

 **rautec**

Replaces all previous versions

Effective 1st December 2004

# CLAX<sup>®</sup>

The *clever* folding cart.





Replaces all previous versions

Effective 1st December 2004

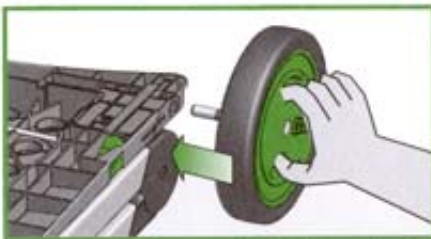
**1** Before initial use.



Remove the wheels from their mountings in the bottom carrying tray.



Install the pivoting wheels by inserting them into the mountings provided until they engage audibly.



Install the rear wheels by inserting them into the mountings provided until they engage audibly.



After the wheels have been installed, fold out the righting-up supports until they engage noticeably.



Thanks to the supports, your **CLAX** cart can be stored upright even with the wheels installed.

**2** For your safety: Parking brake on CLAX cart.



Always use the brake when you leave your **CLAX** cart unattended.



To release the brake, push the pedal upwards.

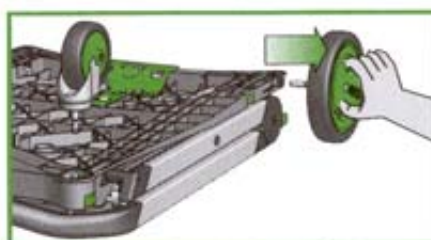
**3** To store your CLAX cart in a minimum of space.



First fold back the righting-up supports. Fold out again before next use.



Now remove the wheels after you have briefly pressed the respective wheel release button.



The wheels can now be easily removed and the wheel release button automatically returns to its initial position.



Firmly push the wheels into the mountings provided in the lower carrying tray until they engage.

**Note:** With the wheels removed, it is possible to stack a number of **CLAX** carts on top of each other.



Replaces all previous versions

Effective 1st December 2004

**4** This is how the **CLAX** cart's folding mechanism works:



Your **CLAX** cart has a newly developed one-hand control operated by means of a central push button on the handle.

If you press the push button and slightly lift the handle, the **CLAX** cart may be easily righted up.



The handle first catches in the upright position. This upright position of the handle saves space (e.g. in elevators).



If you hold down the push button while opening, you can skip the upright position and completely open the **CLAX** cart.



You can now load your **CLAX** cart with the folding box included or with other containers or objects.



To transport bulky items on the lower carrying tray, it is possible to swing the upper tray towards the handle.



The upper tray also engages in an upright position. Select this position when a folding box is fastened to the tray.



If you inadvertently release the central push button while closing, the handle catches in a safety catch.

Replaces all previous versions

Effective 1st December 2004

## 5 Loading your CLAX cart.

**Note:** Even if the **CLAX** cart is loaded, you can switch back and forth between the normal and upright positions by briefly pressing the central push button.

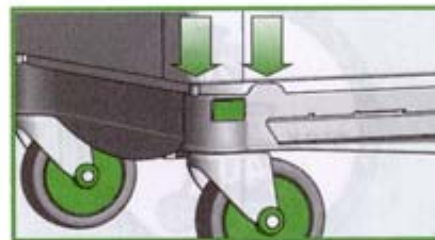


The upper tray holds standard 32 and 46 litre folding boxes. Ensure that they securely lock into place.



The lower tray holds standard 32, 46 and 60 litre folding boxes or up to two beverage crates.

Always observe the maximum permissible carrying capacities specified in these instructions.



The carrying trays on the **CLAX** cart are equipped with mountings into which most standard containers (e.g. beverage crates) engage so that they cannot slip.

## 6 Fastening the CLAX folding box.

The **CLAX** folding box included or standard folding boxes may be fastened with the retaining clips on the upper carrying tray.



To hook in the retaining clips, grip them as shown above with the index finger...



...and hook them into the handle of the unfolded box. (Before removing the box press the clips back into the bottom of the **CLAX**.)



If you fasten a closed box on the collapsed **CLAX** cart in the same manner, both may be easily carried together.



Replaces all previous versions

Effective 1st December 2004

**7 Important safety instructions.**



The **CLAX** cart has been tested by DEKRA for its technical safety. However, always observe the following instructions.

- Use only mild detergents and a moist cloth for cleaning.
- Do not leave your **CLAX** cart unprotected outdoors for longer periods.
- The **CLAX** cart is not designed for travelling on loose or soft surfaces.

**Caution when collapsing!**

- Please ensure that no one reaches between the moving parts.
- When collapsing ensure that the motion tracks of moving parts are not obstructed by foreign objects (e.g. small stones).



Not approved for the transport of people.



**Maximum surface load on even routes:**

Upper carrying tray: 20 kg  
Lower carrying tray: 40 kg



**Maximum surface load on stairs:**

Upper carrying tray: 10 kg  
Lower carrying tray: 20 kg



The **CLAX** cart can only be folded up in an unloaded state with folding box collapsed.



If a collapsed box is fastened to the upper tray, the **CLAX** cart may tip to the rear.

Replaces all previous versions

## Technical Data

### Maximum load:

...upper carrying tray: 20 kg  
 ...lower carrying tray: 40 kg  
 When using on stairs reduce the operating weight by one-half.

### Loading possibilities:

...upper carrying tray:  
 standard 32 or 46 litre commercial folding boxes

...lower carrying tray:  
 standard 32, 46 or 60 litre folding boxes  
 or 2 beverage crates

### Weight:

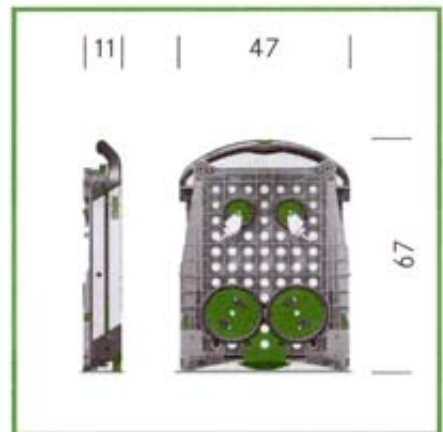
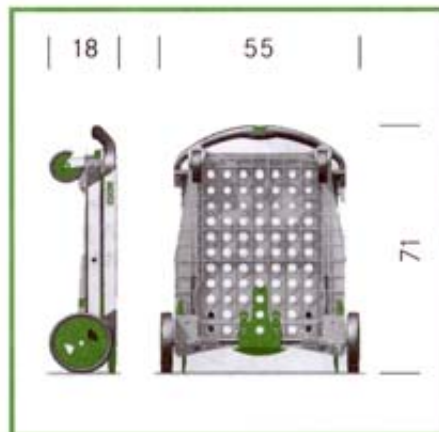
6,9 kg (not including box)

### Material:

sturdy design with aluminium braces using high-quality plastics for high durability

### CLAX box:

High quality, colour-coordinated folding box  
 Volume: 46 liter  
 Weight: 1,4 kg



Dimensions specified in cm

Replaces all previous versions

Effective 1st December 2004

## Congratulations!

With your **CLAX** cart you have purchased a high quality product made in Germany. The **CLAX** cart is a versatile transport aid for loads up to 60 kg in your home, garden, for shopping or at the office.

The **CLAX** cart is not suitable for the transport of heavy loads, in particularly of people, including children. We cannot assume any liability for damages or injuries resulting from improper use.

Please read these instructions for use carefully and observe the safety instructions listed here.

This will ensure long-term satisfaction with your **CLAX** cart.

Every **CLAX** cart is carefully assembled and inspected individually at the factory. However, should you ever note any defects we will provide you with a replacement at no cost according to our warranty conditions for two years following purchase (date of receipt).

