

Replaces all previous versions

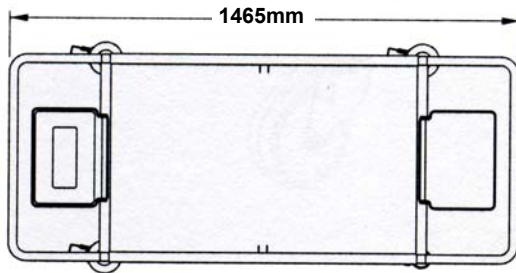
Effective 15th November 2006

# BREAKFAST TRAY TROLLEY - DOUBLE - LOW PROFILE

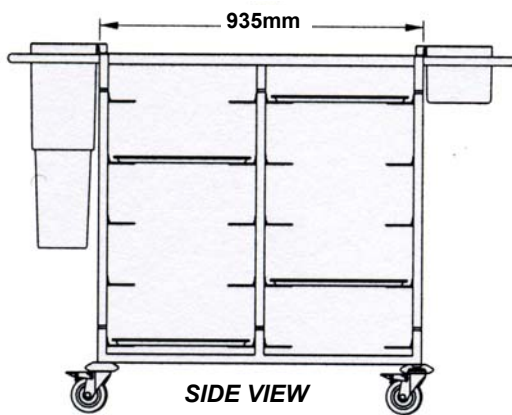
- ➔ This trolley will accommodate small - medium and large Breakfast trays
- ➔ Standard breakfast tray trolley has a capacity of 10 trays: either 370x480mm, 410x580mm or 450x605mm trays
- ➔ Stainless Steel finish with adj. height Aluminium Tray Slides
- ➔ Fitted with 125 mm grey rubber castors-2 with brake
- ➔ Donut Buffers are 100mm diameter rubber
- ➔ Standard Height - 1055.5mm
- ➔ **OPTIONAL** - ( Shown in drawing are extras )
  - A. Stainless Drop in Top Tray (# SPBTT-TT)
  - B. Waste / Refuse Bin (# SP9610)
  - C. Cutlery Bin (# SP9612)
  - D. Serving Trays 450x600mm (# 4260-MH)
  - E. Moulded Glass Basket (# 1490)
  - F. Blue wire Glass Basket (# 1367)



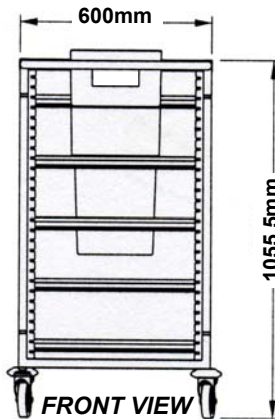
Standard Frame is Stainless Steel (not as shown)



TOP VIEW



SIDE VIEW

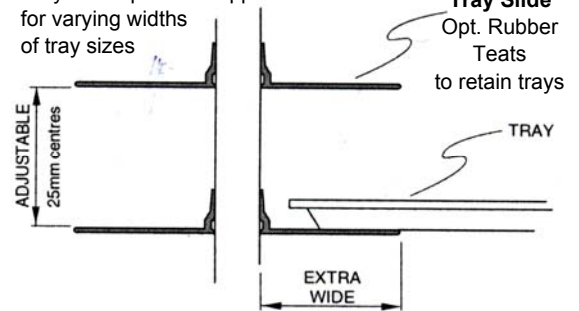


FRONT VIEW

Castor: 125mm Grey Rubber  
 Two supplied with Brake  
 Donut Buffer: 100mm dia. Rubber



All Shelves are adj. in height.  
 Tray slides provide support for varying widths of tray sizes



Code	Description
# SPBTT-282	Breakfast Tray Trolley - inc. 2 x 5 Tray Levels (20 Slides) as Standard - No handles
SPBTT-282UH	As above with upright handles

Shipping Size: 935L x 600W x 250H mm ; Approx 40 kg

# SPBTT-TT	<b>Optional A :</b> Stainless steel Top Tray for Double Trolley
# SP9610	<b>Optional B :</b> Refuse Bin - 337x231x560mm
# SP9612	<b>Optional C :</b> Cutlery Bin - 337x231x187 mm
# 4260-MH	<b>Optional D :</b> Poly Tray - 450 x 600mm - colour available Mahogany only
# 1490	<b>Optional E:</b> Moulded Glass Basket - 358 x 448 mm - Polycarb
1367	<b>Optional F :</b> Blue Wire Glass Rack
# SPBTT-282-PH	<b>Optional G :</b> Side Handle to suit SPBTT-282 Trolleys (For std. model) - Each
# SPBTT-RS171	<b>Optional :</b> Rubber Teat For Tray Slides (2 required for 1 tray) - Each
# SPBTT-AAS540	<b>Optional :</b> Narrow Tray Slide - Aluminium 540x35mm - Each (2 req. for 1 tray)
# SPBTT-AA75S-540	<b>Spare Part :</b> Wide Tray Slide - Aluminium 540x75mm - Each (2 req. for 1 tray)
	Assembly from flat pack if required

Normally Supplied as Flat Pack for Lower Freight Cost -  
 Please Advise if Assembly required before Despatch.

PRICES NETT - EX FACTORY - Freight Additional

All prices/specifications subject to change without notice.

**Plus 10% GST - AUSTRALIA ONLY**

# BREAKFAST AND GASTRONORM TRAY TROLLEYS DOUBLE AND TRIPLE - STAINLESS STEEL - MEDIUM HEIGHT

- ➔ Stainless Steel finish
- ➔ Tray slides provide support for varying widths of tray sizes
- ➔ Aluminium Tray Slides are Adjustable at 25mm increments
- ➔ Fitted with 125 mm grey rubber z/pltd castors - with brake
- ➔ Overall Height - 1500 mm (nominal)
- ➔ Available with 20 & 30 Tray Capacity
- ➔ Breakfast Trolley c/w Wide Aluminium Tray Slides 540x75mm small, medium and large breakfast trays (430mm bay width)
- ➔ Gastronorm Trolley c/w Narrow Aluminium Tray Slides 540x35mm gastronorm trays (330mm bay width)
- ➔ OPTIONAL - ( Please see images on page 1 )
  - Stainless Drop in Top Tray (# SPBTT-TT)
  - Serving Trays 450x600mm ( # 4260-MH)
  - Moulded Glass Basket (# 1490)
  - Blue wire Glass Basket (# 1367)
  - Tray Slide has rubber teats to retain trays



Castor: 125mm Grey Rubber  
 Two supplied with Brake  
 Donut Buffer: 100mm dia. Rubber



Images not to Scale

Picture Shows Breakfast Trolley with:  
 - Optional handle (# SPBTT-HNDL)  
 - 8 high Runners

Code	Description
# SPBTT-282-20	Breakfast / Gastronom Trolley - 20 trays capacity - inc. 2x10 Tray Levels (40 Slides) 1500mm High x 600mm Wide x 935/740mm Long - Stainless Steel
# SPBTT-282-30	Breakfast / Gastronom Trolley - 30 trays capacity - inc. 3 x 10 Tray Levels (60 Slides) (1500mm High x 600mm Wide x 1450/1250mm Long) - Stainless Steel
<i>Please nominate the Type of Trolleys when ordering - with "BK" for Breakfast trolley or "GN" for Gastronorm Trolley</i>	
# SPBTT-TT20	<b>Optional :</b> Stainless steel Top Tray for Double Bay Trolley
# SPBTT-TT30	<b>Optional :</b> Stainless steel Top Tray for Triple Bay Trolley
# 4260-MH	<b>Optional :</b> Poly Tray - 450 x 600mm - colour available Mahogany only
# 1490	<b>Optional :</b> Moulded Glass Basket - 358 x 448 mm - Polycarb
1367	<b>Optional :</b> Blue Wire Glass Rack
# SPBTT-HNDL	<b>Optional :</b> Handle to suit Breakfast and Gastronom Tray Trolleys
# SPBTT-RS171	<b>Optional :</b> Rubber Teat For Tray Slides (2 required for 1 tray) - Each
# SPBTT-AAS540	<b>Opt/ Spart :</b> Narrow Tray Slide - Aluminium 540x35mm - Each (2 req. for 1 tray)
# SPBTT-AA75S-540	<b>Opt/ Spart :</b> Wide Tray Slide - Aluminium 540x75mm - Each (2 req. for 1 tray)
	Assembly from flat pack if required

Normally Supplied as Flat Pack for Lower Freight Cost -  
 Please Advise if Assembly required before Despatch.

**PRICES NETT - EX FACTORY - Freight Additional**

All prices/specifications subject to change without notice.

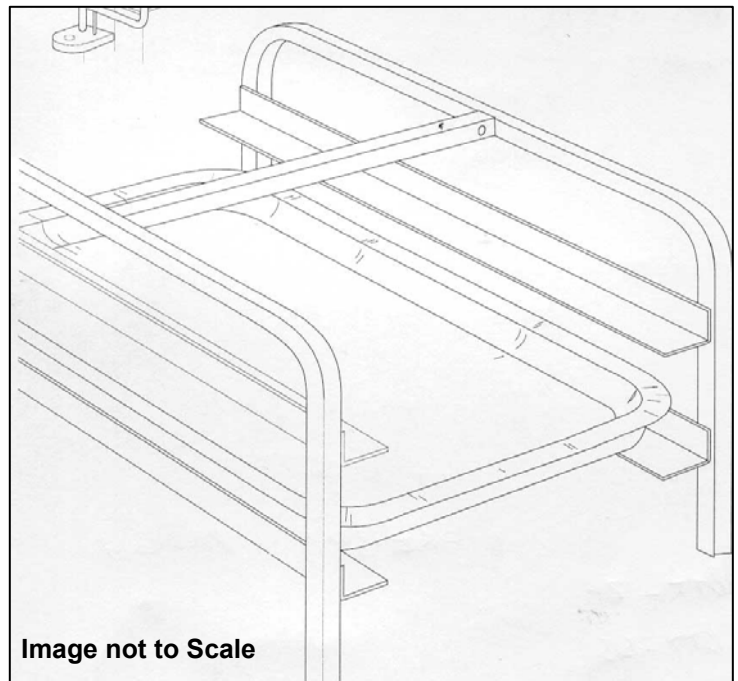
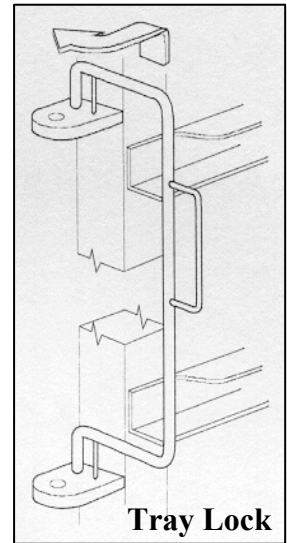
**Plus 10% GST - AUSTRALIA ONLY**

Replaces all previous versions

Effective 15th November 2006

# BREAKFAST / FOOD TRAY TROLLEY - SINGLE - TALL

- ➔ This popular trolley will accommodate small, medium and large Breakfast / Food trays
- Please nominate tray size when ordering (See below)
- ➔ Our standard breakfast tray trolley has a capacity of 10 trays
- ➔ At 150mm Fixed Increments
- ➔ Quick action Tray Locks front and back as Standard
- ➔ Fitted with 150 mm grey rubber Easy Roll castors - 2 with brake
- ➔ Overall: 525W x 600D x 1770H mm



Code	To Suit Tray Size	Finish
SPBTT-3748-ZP	370 x 480 mm	Zinc plated and lacquer finish
SPBTT-3748-SS	370 x 480 mm	Stainless steel electro-polished
SPBTT-4158-ZP	410 x 580 mm	Zinc plated and lacquer finish
# SPBTT-4158-SS	410 x 580 mm	Stainless steel electro-polished
SPBTT-4560-ZP	450 x 605 mm	Zinc plated and lacquer finish
# SPBTT-4560-SS	450 x 605 mm	Stainless steel electro-polished

**Plus freight and insurance**

Note: We can make these to suit non-standard trays - Please specify size

## 12 MONTHS WARRANTY

All prices/specifications subject to change without notice.

**Plus 10% GST - AUSTRALIA ONLY**