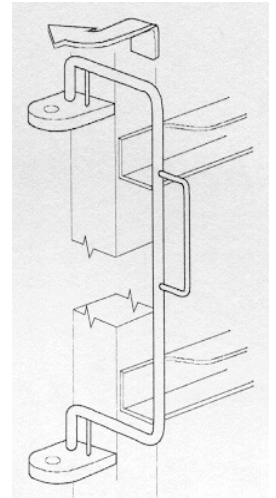


Replaces all previous versions

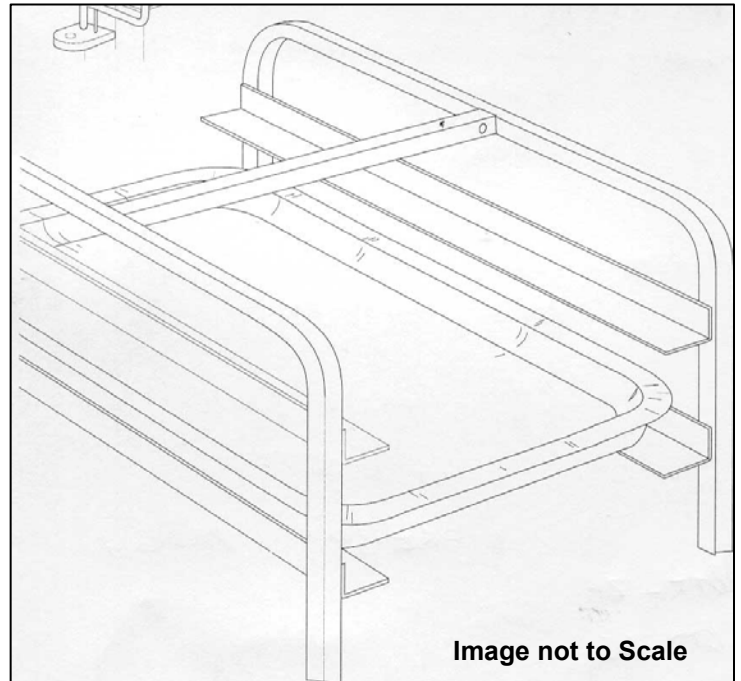
BREAKFAST / FOOD TRAY TROLLEY - SINGLE - TALL

- ➔ This popular trolley will accommodate small, medium and large Breakfast / Food trays
- Please nominate tray size when ordering (See below)
- ➔ Our standard breakfast tray trolley has a capacity of 10 trays
- ➔ At 150mm Fixed Increments
- ➔ Quick action Tray Locks front and back as Standard
- ➔ Fitted with 125 mm grey rubber Easy Roll castors - 2 with brake
- ➔ Overall: 525W x 600D x 1770H mm

ZINC PLATED OR STAINLESS STEEL



Standard Tray Lock



Code	To Suit Tray Size	Finish
SPBTT-3748-ZP	370 x 480 mm	Zinc plated and lacquer finish
SPBTT-3748-SS	370 x 480 mm	Stainless steel electro-polished
SPBTT-4158-ZP	410 x 580 mm	Zinc plated and lacquer finish
# SPBTT-4158-SS	410 x 580 mm	Stainless steel electro-polished
SPBTT-4560-ZP	450 x 605 mm	Zinc plated and lacquer finish
# SPBTT-4560-SS	450 x 605 mm	Stainless steel electro-polished

Normally Supplied as Flat Pack for Lower Freight Cost -
 Please Advise if Assembly required before Despatch.

12 MONTHS WARRANTY

All prices/specifications subject to change without notice.

Plus 10% GST - AUSTRALIA ONLY