



MATERIAL LIFTS - SERIES 2311



Designed for Safety:

- NO Pinch points
- NO Free fall
- NO Spinning wheels
- NO Exposed parts

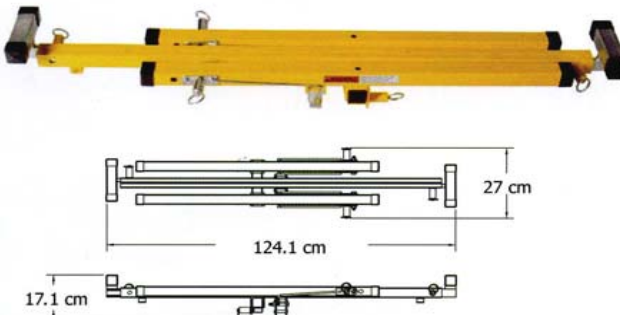


Features

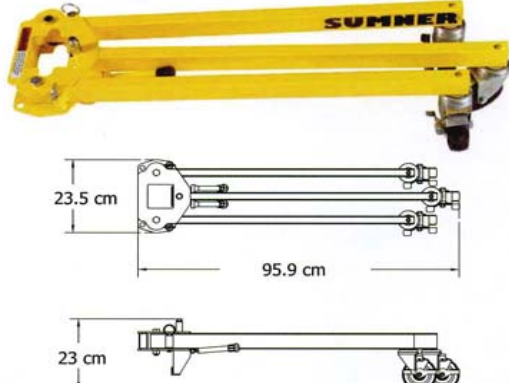
- Lightweight - 45Kg (99Lb)
- Two speed winch handle
- Quick, tool-free assembly
- One person operation • Tilts 65°
- Lifts loads of 70 Kg up to 3.5m or 4.5m
- Loads at a convenient 86 cm (34")



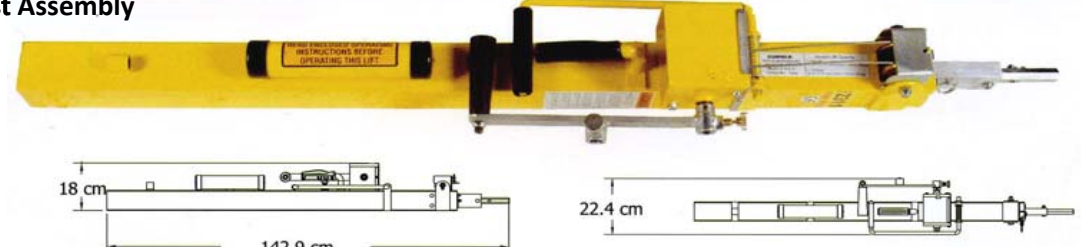
Cradle Assembly



Base Assembly



Mast Assembly

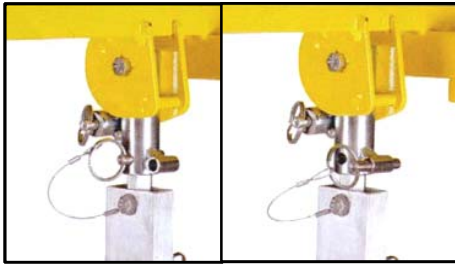


Our policy of constant product improvement may lead to changes to specifications/prices without notice.

Replaces all previous versions

Effective 12th August 2009

Cradle Rotation - Can be locked or free



Fixed position

Free Rotation

Protective Plastic Caps
To avoid damage to panels

Plunger Pin Setting
For cradle tilt



Cradle Arm Storage Bar



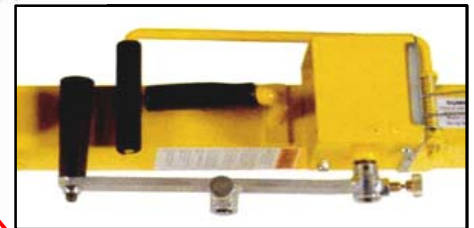
Cradle Arm with Quick Disconnect

Fast Action Cradle Outriggers



Fold Up Steering Lever

Instruction Manual Tube
Permanently attached to lift



Two Speed Winch Handle

Storage Position

Base Legs Fold Up and Lock



Back Stop Brake





100mm (4") Non Marking Castor Wheels With lock

Lo Speed

Hi Speed

Part Number	Load Capacity	Load Height		Lift Weight	Drywall Dimensions	Load Cable	Base Height	Base Footprint (open)	Castors	Number of Cables		
		(min)	(max)									
# SUM2311	70 kg	86 cm	3.5 m	45 kg	1.2 x 3.7 m	32 mm	18 cm	1.4 x 1.4 x 1.3 m	10 cm	1		
# SUM2315	70 kg	122 cm	4.5 m	45 kg	1.2 x 3.7 m	32 mm	18 cm	1.4 x 1.4 x 1.3 m	10 cm	1		

OPTIONS LIST:

# SUM784510	<p>Drywall Lift Truck Mast, Base and Cradle fit neatly on the truck. The 250mm (10") wheels are ideal for jobsite terrain or sliding up and down on stairs. .</p>		
# SUM784474	<p>CRADLE ASSY LIGHTWORK Great for Duct and Other Lifting Tasks Lifts duct up to 60 cm (24") diameter and up to 70kg (150 lb.), cradle arms adjust from 30 cm (12") to 60 cm (24")</p> <p><i>Ideal for installation of four bulb fluorescent light fixtures. Lifting posts come with insulated protection.</i></p>		<p>Please email to spacepac@spacepac.com.au for current pricelist</p>

Our policy of constant product improvement may lead to changes to specifications/prices without notice.