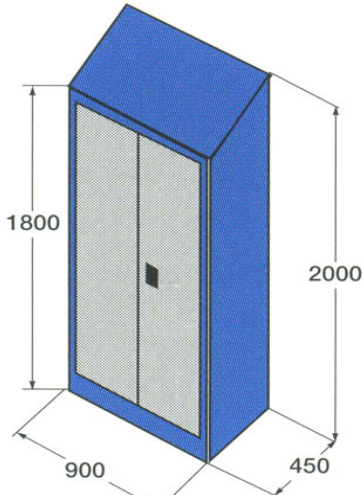
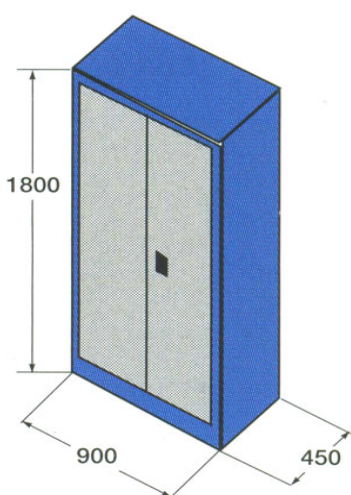


Replace all previous versions

Effective 15th September 2006

STORETEK Style - Industrial Cupboards



- Available in 2 types (Slope Top and Flat Top) with three interior designs to suit your storage requirements.
- Cupboards are constructed as a welded unit for strength and durability.
- Doors are fitted with a triple action locking mechanism for extra security.
- Also Available keyed alike for multiple units
- Shelves are adjustable at 20mm increments with a load capacity of 120kg UDL per shelf

Finish
 Body - Wedgewood Blue
 Doors - APO Grey
 Shelves - APO Grey



Flat Top
 900W x 450D x 1800H mm

Slope Top
 900W x 450D x 2000H mm

Custom Powder Coat finish available P.O.A

Adjustable Shelf

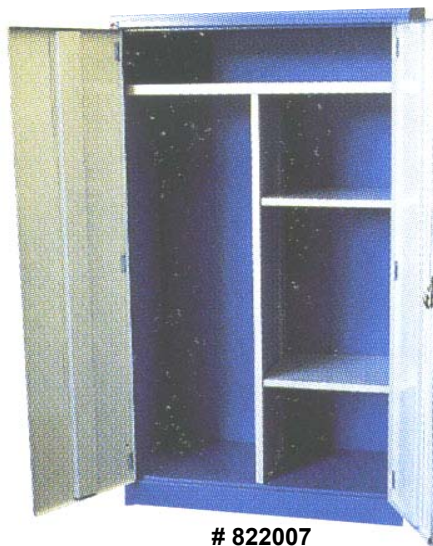
1.5mm base



822006

Engineers Cupboard

Contains 5 adjustable shelves and 10 containers with 2 dividers. Extra shelves are available.



822007

Implement Cupboard

Top Compartment - 180H x 9900W
 Left Compartment - 1400H x 400W
 Right compartment 2 adjustable shelves 440W x 400D. Extra shelves available.



822005

Factory Cupboard

Contains 4 adjustable Shelves. Extra shelves are available

Part Number	Descriptions	Type	Dimensions (mm)		
			High	Wide	Deep
# 822001	Engineers Cupboard Complete with 5 adjustable shelves and 10 containers with 2 dividers.	Slope Top	2000	900	450
# 822006		Flat Top	1800	900	450
# 822004	Implement Cupboard Complete with 2 adj. Shelves (440x400mm), 1 horizontal full shelf and 1 vertical shelf	Slope Top	2000	900	450
# 822007		Flat Top	1800	900	450
# 822002	Factory Cupboard 4 adjustable Shelves.	Slope Top	2000	900	450
# 822005		Flat Top	1800	900	450
# 822530	Extra Shelves (full size) for Factory and Engineers Cupboard		2000	900	450
# 822536	Extra Shelves (half size) - 440x400mm for Implement Cupboard		1800	900	450

All Prices/specifications subject to change without notice

5 Year Warranty