

WINE STORAGE RACKS

Galvanized Frame and Mesh (optionally powder coated)
Each (single) Rack can store 200 or 216 bottles
(750ml wine and/or champagne)

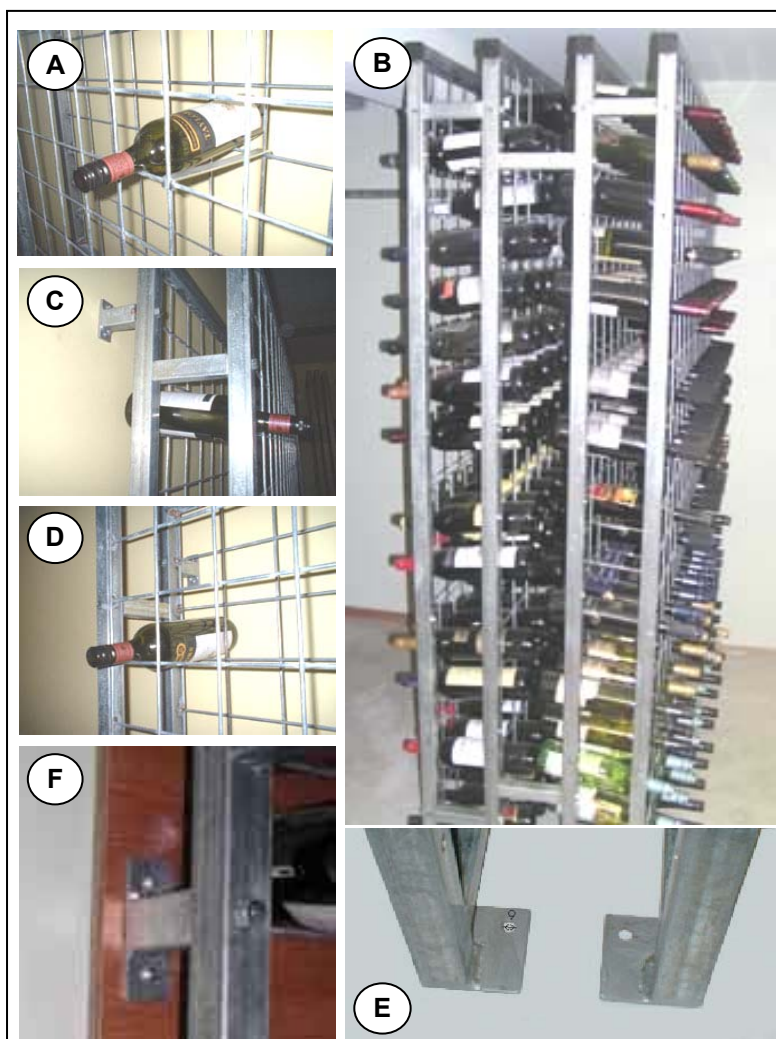
**Illustration of standard Galvanized
 Single and Back to Back Bays**



- * Single and Back to Back Racks available
- * 177mm in depth and supplied complete with wall/floor connecting hardware for masonry, hollow or timber walls.
- * Top can be used for carton storage
- * Galvanised mesh size 100 x 100mm - 5 mm wire.
- * **Custom Sizes are available.**

**The maximum custom Frame Dimension would be
 2135mm x 1271mm (240 bottles) Horizontal or vertical**

Optional Powder Coat Finish - Black



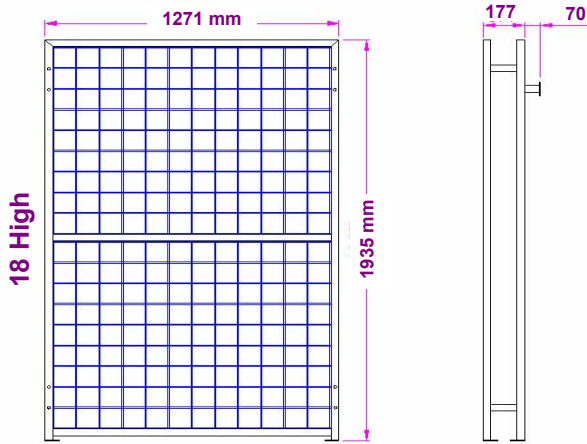
- (A) Racks store bottles on a slight angle so the corks stay moist
- (B) Spacers allow racks to be installed back to back
- (C) Frames are screwed or bolted to your wall / floor for stability
- (D) Silicone-Bronze welded frame - won't rust
- (E) Floor Retention feet.
- (F) Racks are spaced 70mm from wall and 30mm from floor

Replaces all previous versions

Effective 31st July 2006

WINE STORAGE RACKS

WR18x12 - Capacity 216 Bottles (18H x 12W)

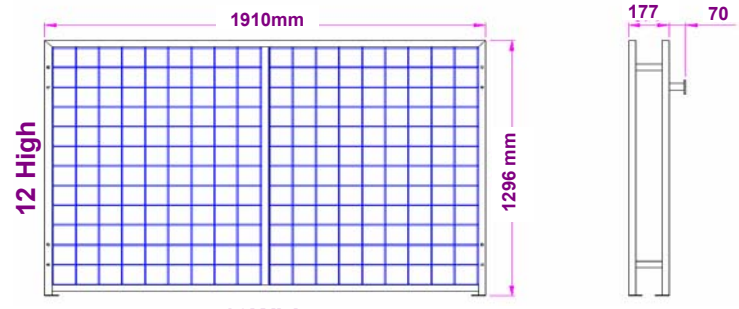


12 Wide

WR18x12 Elevation

WR18x12
End Elevation

WR12x18 - Capacity 216 Bottles (12H x 18W)

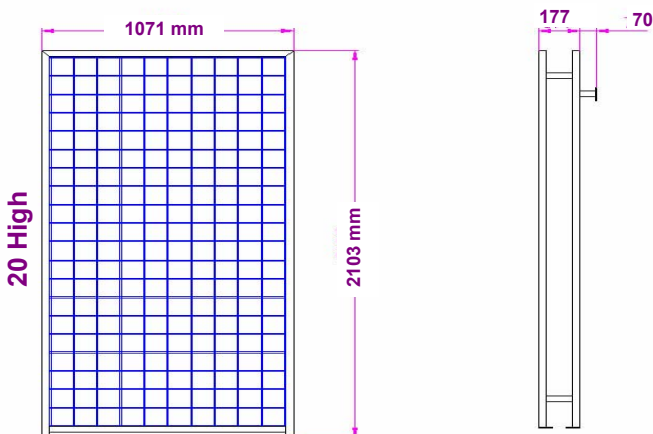


18Wide

WR12x18 Elevation

WR12x18
End Elevation

WR20x10 - Capacity 200 Bottles (20H x 10W)

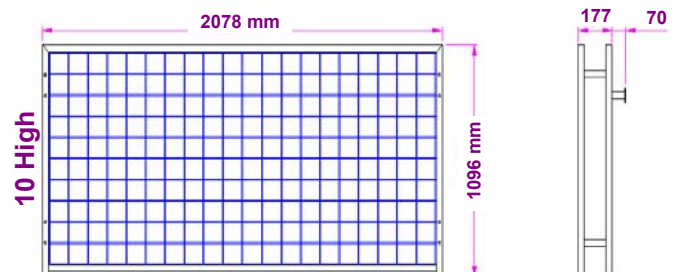


10 Wide

WR20x10 Elevation

WR20x10
End Elevation

WR10x20 - Capacity 200 Bottles (10H x 20W)



20 Wide

WR10x20 Elevation

WR10x20
End

Code	Description	Capacity	
# WR18X12	18 Bottles High x 12 Wide - 1935mmH x 1271mm W - Single Bay	216 Bottles	
# WR12X18	12 Bottles High x 18 Wide - 1296mmH x 1910mm W - Single Bay	216 Bottles	
# WR20X10	20 Bottles High x 10 Wide - 2103mmH x 1071mm W - Single Bay	200 Bottles	
# WR10X20	10 Bottles High x 20 Wide - 1096mmH x 2078mm W - Single Bay	200 Bottles	
# WRCUSTOM	Additional for custom Sizes to order (Max. Frame will be 2135 x 1271)	(240 Bottles)	
# WRPOWDERCOAT	Additional for Powder Coated Rack Option - your choice of colours		
# WRBACKTOBACKKIT	Back to Back kit - 4 Long Spacers each with 2 bolts		
# WRDECK	Top Deck for carton storage - 2078mm x 300mm x 16mm - MDF		

Spacepac Warranty 5 Years

All prices/specifications subject to change without notice.

ADD 10% GST AUSTRALIA ONLY