

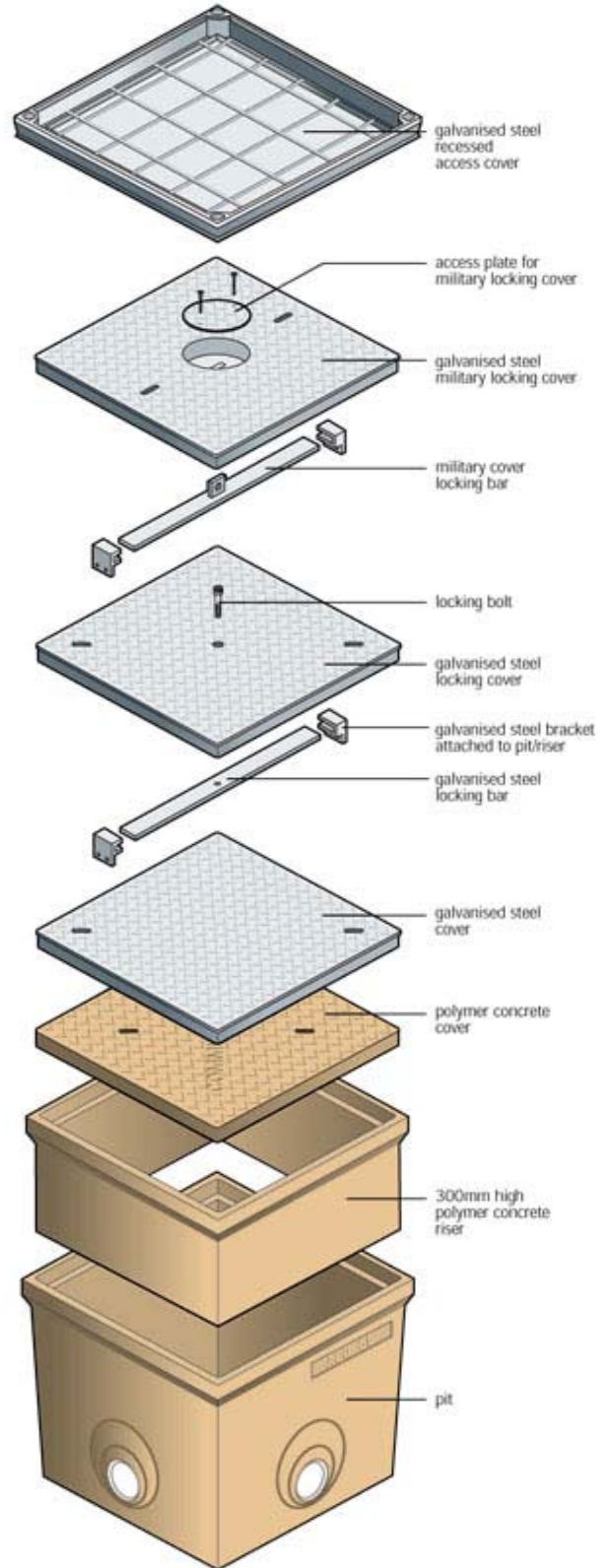
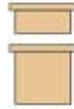
Replaces all previous versions

Effective 27th September 2006

P SERIES - Type 66 and 66H

Type 66 Polymer Concrete Pit

665mm x 665mm x 615mm depth



Pit Data

Description	Part No.	Weight kg
Type 66 Polymer Concrete Pit	75105	61.8
Type 66 Polymer Concrete Pit for Locking Cover	75112	62.4
Type 66 Polymer Concrete Extension Riser	75126	27.4
Type 66 Polymer Concrete Extension Riser for Locking Cover	75133	28.0

150kN
C

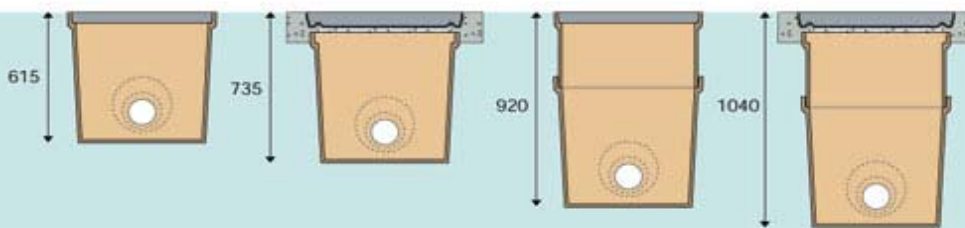
Cover Data

Description	Part No.	Weight kg
Type 66 Polymer Concrete Lid - Blank	75149	24.2
Type 66 Polymer Concrete Lid - Communications	75154	24.2
Type 66 Polymer Concrete Lid - Electricity	75160	24.2
Type 66 Galvanised Steel Cover	75177	26.9
Type 66 Locking Galvanised Steel Cover	75185	26.9
Type 66 Military Locking Galvanised Steel Cover	75192	28.9
Type 66 Light Duty Recessed Access Cover - Lock & Seal	75201	20.3
Type 66 Med Duty Recessed Access Cover - Lock & Seal	75218	20.6

10kN
A

150kN
C

Ground Line



All prices/specifications subject to change without notice.

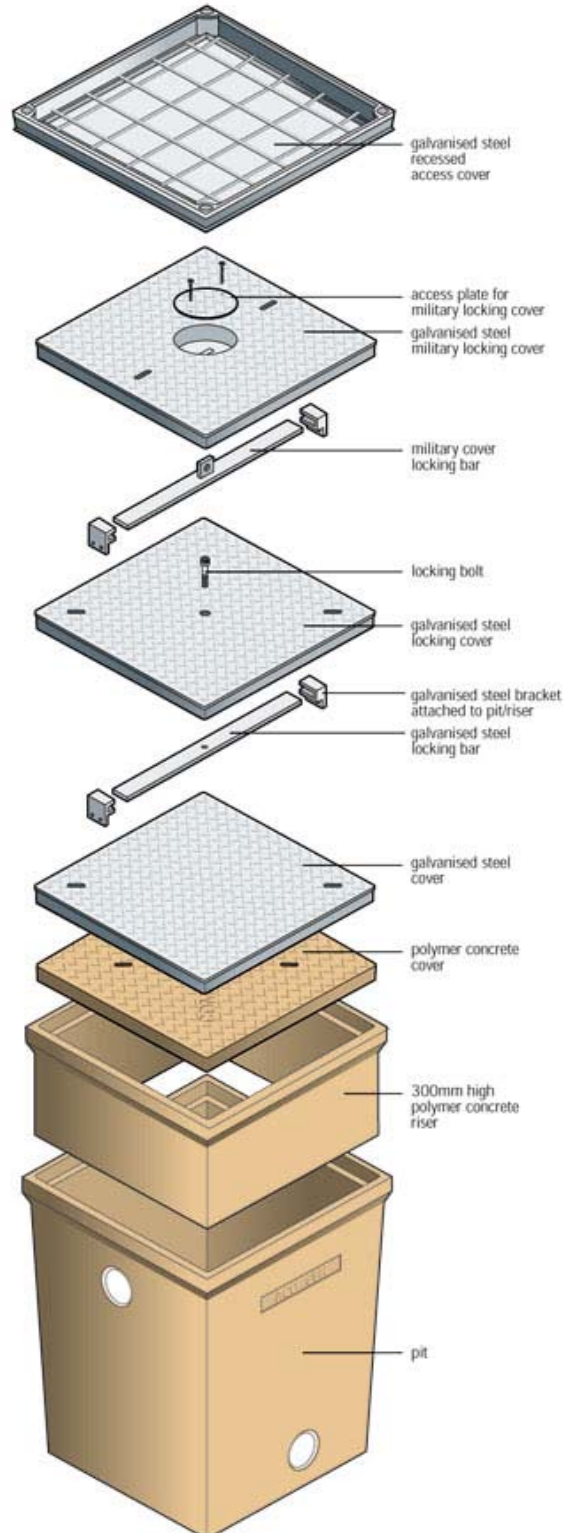
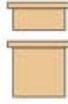
Replaces all previous versions

Effective 27th September 2006

P SERIES - Type 66 and 66H

Type 66H Polymer Concrete Pit

667mm x 667mm x 915mm depth



Pit Data

Description	Part No.	Weight kg
Type 66H Polymer Concrete Pit	75226	86.4
Type 66H Polymer Concrete Pit for Locking Cover	75233	87.0
Type 66 Polymer Concrete Extension Riser	75126	27.4
Type 66 Polymer Concrete Extension Riser for Locking Cover	75133	28.0

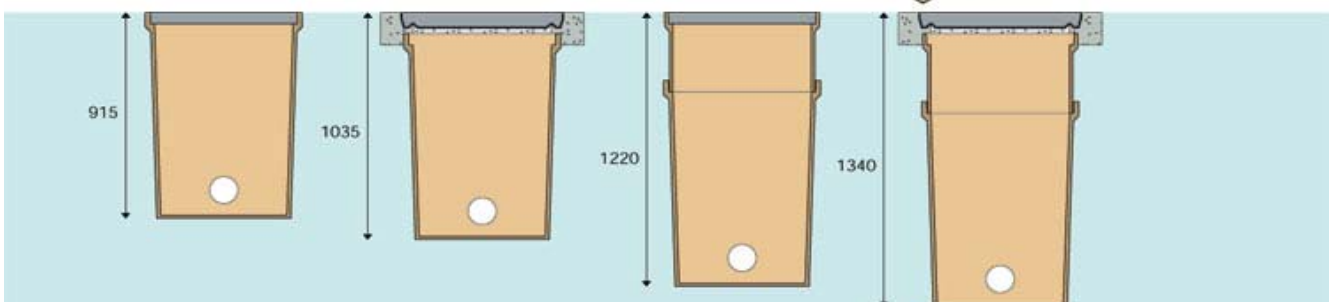
150kN
C

Cover Data

Description	Part No.	Weight kg
Type 66 Polymer Concrete Lid - Blank	75149	24.2
Type 66 Polymer Concrete Lid - Communications	75154	24.2
Type 66 Polymer Concrete Lid - Electricity	75160	24.2
Type 66 Galvanised Steel Cover	75177	26.9
Type 66 Locking Galvanised Steel Cover	75185	26.9
Type 66 Military Locking Galvanised Steel Cover	75192	28.9
Type 66 Light Duty Recessed Access Cover - Lock & Seal	75201	20.3
Type 66 Med Duty Recessed Access Cover - Lock & Seal	75218	20.6

10kN
A

150kN
C



All prices/specifications subject to change without notice.