

Replaces all previous versions

Effective 27th September 2006

P SERIES - Type 52 and Type 63

Type 52 Polymer Concrete Pit



505mm x 220mm x 435mm depth

Pit Data

150kN
C

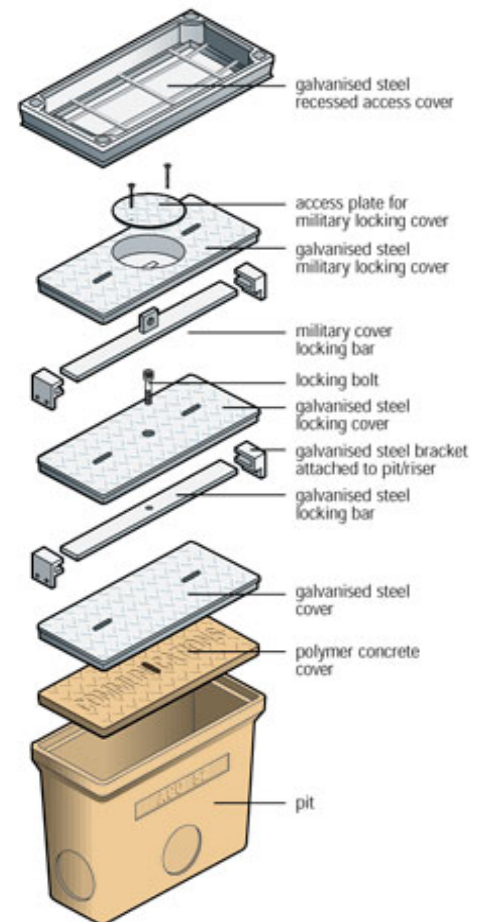
Description	Part No.	Weight kg
Type 52 Polymer Concrete Pit	74651	18.3
Type 52 Polymer Concrete Pit for Locking Cover	74668	18.9

Cover Data

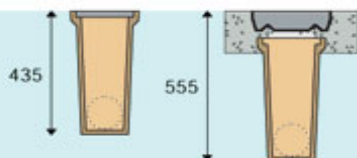
10kN
A

Description	Part No.	Weight kg
Type 52 Polymer Concrete Lid - Blank	74675	3.4
Type 52 Polymer Concrete Lid - Communications	74682	3.4
Type 52 Polymer Concrete Lid - Electricity	74696	3.4
Type 52 Galvanised Steel Cover	74709	4.9
Type 52 Locking Galvanised Steel Cover	74713	4.9
Type 52 Military Locking Galvanised Steel Cover	74720	6.9
Type 52 Light Duty Recessed Access Cover - Lock & Seal	74734	9.0

150kN
C



Ground Line



All prices/specifications subject to change without notice.

Replaces all previous versions

Effective 27th September 2006

P SERIES - Type 52 and Type 63

Type 63 Polymer Concrete Pit

645mm x 300mm x 735mm depth



Pit Data

Description	Part No.	Weight kg
Type 63 Polymer Concrete Pit	74747	48.5
Type 63 Polymer Concrete Pit for Locking Cover	74758	49.1

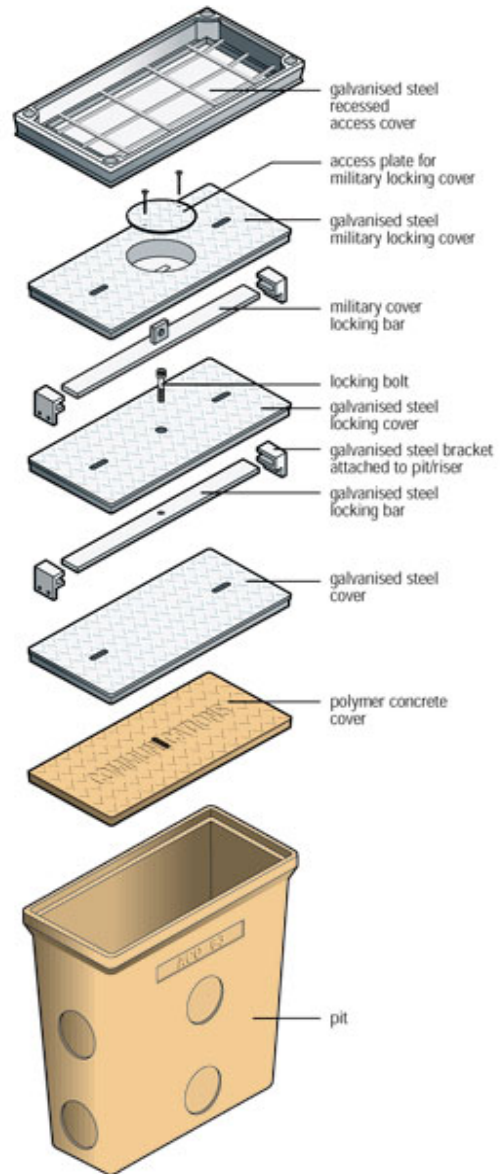
150kN
C

Cover Data

Description	Part No.	Weight kg
Type 63 Polymer Concrete Lid - Blank	74765	6.1
Type 63 Polymer Concrete Lid - Communications	74772	6.1
Type 63 Polymer Concrete Lid - Electricity	74786	6.1
Type 63 Galvanised Steel Cover	74793	9.6
Type 63 Locking Galvanised Steel Cover	74809	9.6
Type 63 Military Locking Galvanised Steel Cover	74814	11.7
Type 63 Light Duty Recessed Access Cover - Lock & Seal	74820	12.9
Type 63 Med Duty Recessed Access Cover - Lock & Seal	74837	13.1

10kN
A

150kN
C



All prices/specifications subject to change without notice.