

Replaces all previous versions

Effective 27th September 2006

P SERIES - Type 33 With Riser and Type 45

Type 33 Polymer Concrete Pit

340mm x 340mm x 450mm depth



Pit Data

150kN
C

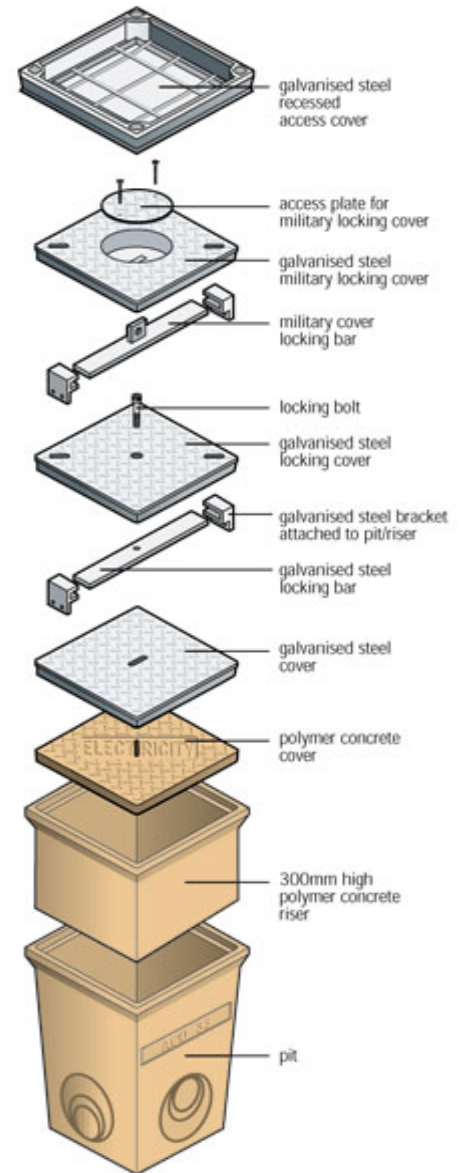
Description	Part No.	Weight kg
Type 33 Polymer Concrete Pit	75244	17.7
Type 33 Polymer Concrete Pit for Locking Cover	75259	18.3
Type 33 Polymer Concrete Extension Riser	75265	13.9
Type 33 Polymer Concrete Extension Riser for Locking Cover	75277	14.5

Cover Data

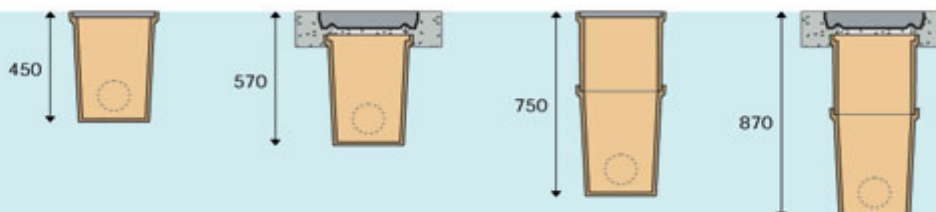
10kN
A

150kN
C

Description	Part No.	Weight kg
Type 33 Polymer Concrete Lid - Blank	75282	3.4
Type 33 Polymer Concrete Lid - Communications	75299	3.4
Type 33 Polymer Concrete Lid - Electricity	75303	3.4
Type 33 Galvanised Steel Cover	75310	5.4
Type 33 Locking Galvanised Steel Cover	75324	5.4
Type 33 Military Locking Galvanised Steel Cover	75331	7.4
Type 33 Light Duty Recessed Access Cover - Lock & Seal	75348	9.9
Type 33 Med Duty Recessed Access Cover - Lock & Seal	75355	10.0



Ground Line



All prices/specifications subject to change without notice.