

Replaces all previous versions

Effective 1st January 2005

elfa Easy Hang Shelf System

Its strength is in its strength. elfa Easy Hang Shelving is designed and engineered like no other shelving in the world. It's stronger. Made of heavy gauge steel, it can hold an entire library of books, a complete stereo system, potted plants, even a 63cm television.

Unlike other shelving systems, elfa Easy Hang has an epoxy-bonded finish that prevents chipping, stains and rust for as long as you own your system.

The double slot advantage. The elfa Easy Hang Shelving uses unique double slot standards and double hook brackets. The brackets fasten securely into the standard using elfa's superior safety lock design, giving you unequalled strength and stability.



Elfa's unique brackets and standards also enable you to connect two shelves on a single bracket, saving you installation time and money. (Ordinary single slot systems require extra brackets and standards.)

Two easy ways to install, wall mount or track. The elfa Easy Hang Shelving System offers two easy-to-install choices:

the standard wall - mount method, or the unique track method.

Either can be installed in minutes with a few simple tools. And both are easily expandable to meet your future storage requirements.

The track method is the most versatile of all. The track can be placed at ceiling height, door level, wherever, and with its unique design, hanging standards can be moved to create a limitless number of arrangements.

It can be installed in minutes with little or no measuring.

elfa's Easy Hang Shelving is the answer.

elfa can turn wasted space into functional space. It can turn a wall into a library.

It's perfect for any space in the house, from cupboards to pantries.



Top Track with Hanging Uprights



Wallband with straight brackets for solid shelves



New modern ventilated shelf with adjustable ventilated shelf brackets



Ventilated shelf with cloths rail holder clipped to the ventilated shelf brackets. Clip fixes to 25mm tube

All prices/specifications subject to change without notice.

Replaces all previous versions

Effective 1st January 2005

elfa Easy Hang Shelf System

Ventilated Shelf System



revolutionary yet like most great ideas it is wonderfully simple.

It combines the most advanced design in wire ventilated shelving with the benefits of the traditional wardrobe rod.

The elfa[®] shelf allows hangers to slide freely on the wardrobe rod, allowing better visibility of and access to your clothes.

The streamline design makes the most of efficient use of your space while providing unwavering strength

It's a Snap to Install !!



In the Bedroom - Pantry or Linen Cupboard



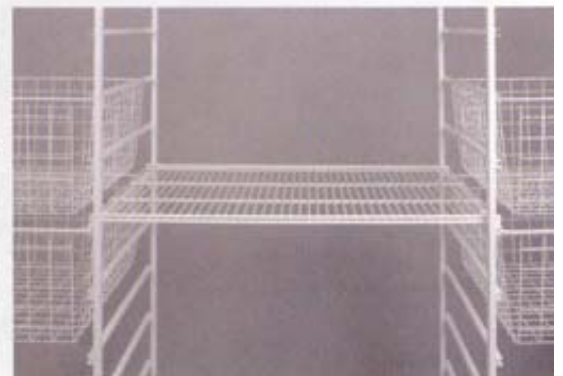
In the workshop or Storeroom



Ventilated Shelf Clip



Attaching the 495mm wide Ventilated Shelf To the basket Frames with Ventilated Frame Clips



All prices/specifications subject to change without notice.

Replaces all previous versions

Effective 1st January 2005

elfa Easy Hang Shelf System

Shelf Systems



Top Track with Hanging Uprights



Ventilated Shelf with adjustable Ventilated Shelf Brackets



Ventilated shelf with Cloths Rail Holder clipped to the Ventilated Shelf brackets. Rod Holder Supports 25mm Tube



Wallband with straight Brackets for Solid Shelves

1: Place the track at ceiling height



Place the track at ceiling height. Drill a hole for each hole in the track (Note: this is the only drilling you have to do.) Insert the hardware and tighten.

2: Hook the hanging standards on the track



Position each Hanging Standard at a max of 900mm intervals. Snap the shelf brackets into the Hanging Standards. (The brackets can be adjusted every 32mm) Snap the Closet Rod Holders to their Brackets.

3: Snap in the Closet Rod and Shelves



Snap the Closet Rods into their Holders and the Shelves into their Brackets.

4: Slide in the elfa® Baskets



Assemble the elfa Drawer Frame and slide in the Baskets and shelves where required. The Closet is finished.



elfa® Easy Hang™ is easy to install - just mount the track and hang the standards. Snap the brackets, rods, and shelves into place, and you're finished

All prices/specifications subject to change without notice.

Replaces all previous versions

Effective 1st January 2005

elfa Easy Hang Shelf System

Easy Hang & Ventilated Shelving Installation

Step 1:

Position Hang Track at desired height. (usually at ceiling or door height) Hang track may be fixed to masonry walls or direct into timber studs. For fixing to hollow walls, similar to plasterboard use the elfa® hollow wall anchors.

(See fixing instructions below)



Fig. A

Step 2:

Hanging Standards should be placed at a maximum of 900mm apart in wardrobes, 750mm apart in pantry areas, and 600mm apart for storage of heavy items. (Fig. A)



Fig. B



Fig. D

Step 3:

Place ventilated wire shelf brackets in the hanging standards at the required height. (Fig. B) Snap the rod holders into their slots in the brackets. (Fig. C)



Fig. C

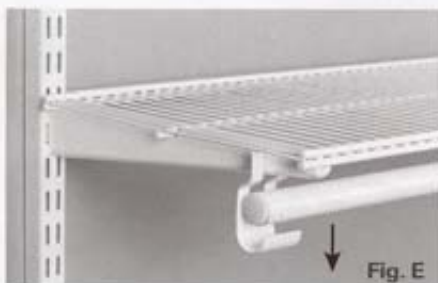


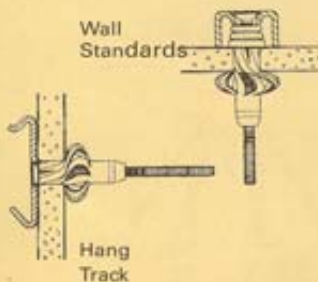
Fig. E

Step 4:

Place shelf wires over notches in the ventilated wire shelf bracket. The end of the shelf should extend 10mm past the side of the bracket. Lock the shelf into place by pressing the middle part down and push towards the wall. (Fig. D) To unlock the shelf, lift the back out of the slot and pull away from the wall.

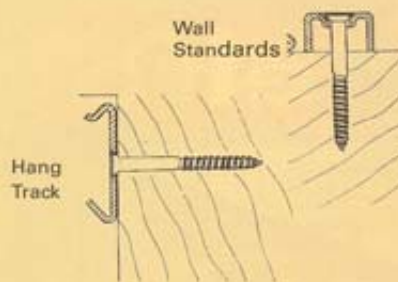
snap the closet cods into their holders. (Fig. E)

Fixing Methods into Various Types of Walls



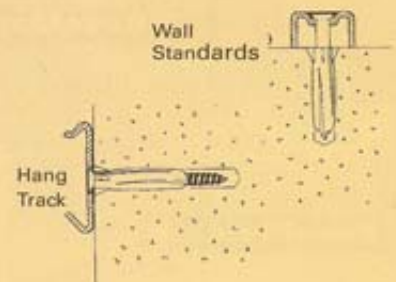
Hollow wall installation

(dark blue anchor)
Used for 10mm Plasterboard
Drill 10mm hole. Insert anchor, for hang track remove and discard grey spacer
Use #2 Phillips head bit to tighten screw



Wood installation

(light blue plug)
Used for fixing into timber stud wall
Drill 5mm pilot hole. discard plug
Use #2 Phillips head bit to tighten screw



Masonry wall installation













(light blue plug)
Used for fixing into brick or concrete etc
Use #2 Phillips head bit to tighten



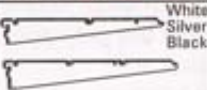




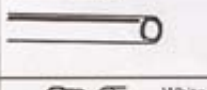


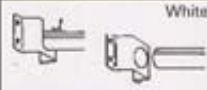
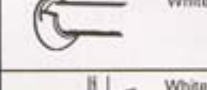
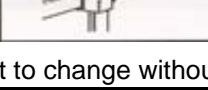

All prices/specifications subject to change without notice.

Replaces all previous versions

Effective 1st January 2005

e l f a Easy Hang Shelf System

Product	Description	Item No:
	Wall Standards	
	Length: 316mm	400310
	Length: 636mm	400610
	Length: 956mm	400910
	Length: 1276mm	401210
	Length: 1596mm	401610
	Length: 1916mm	401910
	Length: 2236mm	402210
Length: 2408mm	402410	
	Hanging Standards	
	Length: 605mm	426210
	Length: 1211mm	426310
	Length: 2011mm	426410
	Length: 2300mm	426510
	Hang Track	
	Length: 1016mm Length: 2030mm	420110 422010
	Brackets - Straight	
	Length: 120mm	411210
	Length: 170mm	411710
	Length: 220mm	412210
	Length: 270mm	412710
	Length: 320mm	413210
	Length: 370mm	413710
	Length: 470mm	414710
Length: 570mm reinforced Length: 670mm reinforced	415710 416710	
	Bracket for Tube	
Length: 320mm	413010	
	Shelf Joiners Join shelves to create Longer Lengths	470216
	Shelf Pins Secures shelf to bracket	470316
	Screws & Plugs For masonry or wood	470696
	Bracket Screws Attach shelf to bracket	471496
	Wall Anchors For 10mm Wallboard 4 Pack For 20mm Wallboard 4 pack	471596 471696
	Book Ends	
	Clip to wall standard 200mm Clip to shelf depth: 150mm height: 195mm	465016 464816
	Shoe Rack Length: 565mm	481614
Note: All item numbers refer to White System		

Product	Description	Item No:
	Ventilated Shelf Shelf Width 305mm	
	Length: 600mm	450210
	Length: 905mm	450410
	Length: 1210mm	412110
	Length: 1830mm	450610
	Shelf Width 405mm	
	Length: 600mm	450310
	Length: 905mm	450510
	Length: 1210mm	451610
	Length: 1805mm	450710
	Shelf Width 495mm	
	Length: 900mm Length: 1830mm	451910 450810
	Frame clip for Ventilated Shelf 4 clips per pack	230716
	Ventilated Shelf Brackets	
	Length: 320mm	410310
	Length: 420mm Length: 516mm	410410 410510
	Rod Holder For 25mm Rod	470110
	Dividers for vent. shelf Height: 200mm For 305mm wide shelf For 405mm wide shelf	100162 100160
	Utility Hooks for ventilated shelf For Ventilated Shelves	472410
	25mm Dia Tube	
	Length: 905mm White	620913
	Length: 1830mm White	621813
	Length: 905mm Chrome Length: 1830mm Chrome	620903 621803
	End Caps For 25mm tube 1 pair	623914
	End Brackets For 25 mm tube 1 pair	624214
	Centre Bracket For 25mm tube single	624314
	Wall Bracket For 25mm tube 1 pair	624414
	Wall Bracket (plastic) For 25mm tube 1 pair	624510
	Clamp For 25mm tube single	624614

All prices/specifications subject to change without notice.