

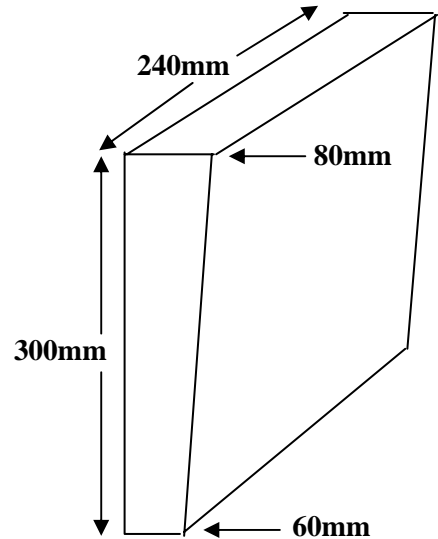
Replaces all previous versions

Effective 1st August 2004

Weatherproof Outdoor Literature Display Box

This weatherproof outdoor literature display box is constructed of a durable plastic that has UV inhibitors included to prevent fading and deterioration. The hardware plastic ties and screws included makes installation to outdoor poles and posts, including star pickets for field days, easy.

Suits A4



Code	Description			
790901	Weatherproof Outdoor Literature Display Box Frosted Body, Clear Front, Black Lid			

Prices do not include GST & Freight.

All prices/specifications subject to change without notice.