

Replaces all previous versions

Effective 15th April 2011

"NS" SERIES SELECTIVE PALLET RACKING

**EXTENSIVELY TESTED BY THE UNIVERSITY OF NSW
 INDEPENDENTLY CERTIFIED FOR STRUCTURAL INTEGRITY & COMPLIANCE
 WITH THE REQUIREMENTS OF AUSTRALIAN STANDARD AS4084**

Offers product features and options to allow installations to be tailored to provide the right solutions for most storage requirements.

- Attractively Powder Coated to provide a bright and pleasant work environment.
- Frames - "Sky blue" ● Beams - "Pure Orange"

NS series racking frames

Frame uprights are produced with pairs of elongated hexagonal front face slots at 76.2mm vertical centres and are powder coated 'sky blue'.

The tapered slot sides prevent the connector hook bottoming, allowing the beam to engage more tightly as the load is increased.

The non-jam fit allows easy beam positioning and adjustment without the use of tools

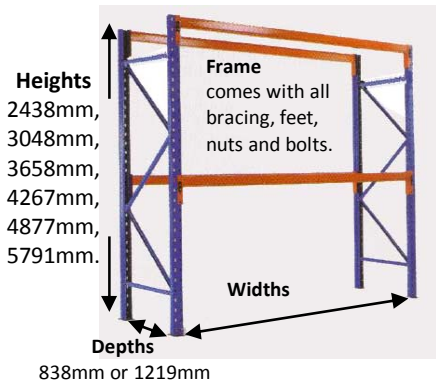
NS series racking Beams

All beams are provided with welded non-jam three hook end connectors with self-locating spring safety clips.

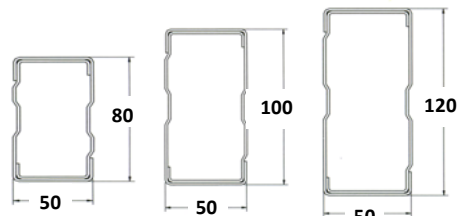
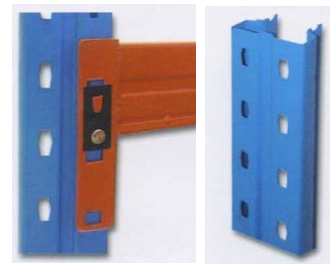
Beams are powder coated 'pure orange'



Frames are priced as unassembled.
 Please add \$30 Exc GST per frame for assembly.
 Additional Cost Items are: Delivery, Installation



Indicative Picture only - Bracing Will Vary depending on Height and Depth of Frame.



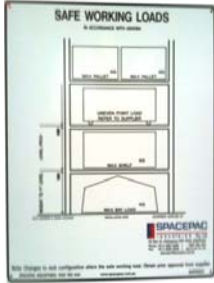
Product	Part Number	Description		
FRAMES				
Frame width 838mm	# SP1340	2438 x 838mm - 1.8mm Standard		
	# SP1350	3048 x 838mm - 1.8mm Standard		
	# SP1360	3658 x 838mm - 1.8mm Standard		
	# SP1370	4267 x 838mm - 1.8mm Standard		
	# SP1380	4877 x 838mm - 1.8mm Standard		
	# SP1390	5791 x 838mm - 1.8mm Standard		
Frame width 838mm	# SP1440	4877 x 838mm - 2.0mm Heavy Duty		
	# SP1450	5791 x 838mm - 2.0mm Heavy Duty		
Frame width 1219mm	# SP1400	2438 x 1219mm - 1.8mm Standard		
	# SP1410	3048 x 1219mm - 1.8mm Standard		
	# SP1420	3658 x 1219mm - 1.8mm Standard		
	# SP1430	4267 x 1219mm - 1.8mm Standard		
Frame width 1219mm	# SP1460	4877 x 1219mm - 2.0mm Heavy Duty		
	# SP1470	5791 x 1219mm - 2.0mm Heavy Duty		
BEAMS				
Box Beams 90mm x 50mm	# SP1500	1372 x 80 x 50mm		
	# SP1510	1524 x 80 x 50mm		
	# SP1520	1829 x 80 x 50mm		
	# SP1530	2591 x 80 x 50mm		
	# SP1540	2743 x 80 x 50mm		
Box Beams 100mm x 50mm	# SP1550	2591 x 100 x 50mm		
	# SP1560	2743 x 100 x 50mm		
Box Beams 120mm x 50mm	# SP1565	2591 x 120 x 50mm		
	# SP1570	2743 x 120 x 50mm		

Please email to sales@spacepac.com.au for more information

Please email to sales@spacepac.com.au for more information

"NS" SERIES SELECTIVE PALLET RACKING

PALLET RACKING ACCESSORIES



SAFE WORKING LOAD SIGNS

Includes 4 x 18mm S/Adh Labels for Load Capacity.

This sign is a loading notice conforming to AS 4084-93 Steel Storage Racking. To assist in ensuring the rack is loaded within recommended safety limits. It should be prominently displayed within the operating area of the racking.



MAINTENANCE SIGN

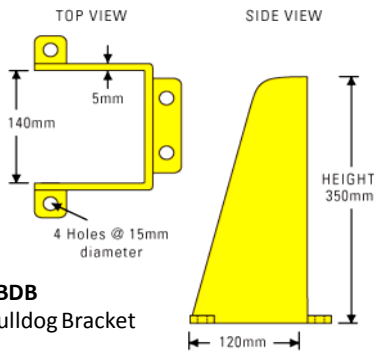
This sign contains the basic safety rules to assist in ensuring a safe working environment for the racking systems. It should be prominently displayed within the operating area of the racking.



#SP1580
Column Guard



#BDB
Bulldog Bracket



SAFETY SIGN

Safety Signs are crucial items in rack safety.

These signs are instrumental in safe use of racking as outlined in Australian Standard AS4084.



FORKLIFT SIGN

indicate pedestrian exclusion zones and forklift operating areas and forklift exclusion zones for pedestrians.

Part Number	Description		
# SPPRS01	Safe working load racking sign 450w×450h-Metal		
# SPPRS02	Maintenance of racking sign 450w×450h- Metal		
# SPPRS03	Forklift safety sign: Forklift in use 450w×300h-Metal		

Please email to sales@spacepac.com.au for more information

Steel Column Guards

Part Number	Description		
# SP1580	Column Guards - steel The steel column guard is bolted to the floor in front of the upright providing protection to the bottom portion of the upright.		
# BDB	Bulldog bracket – pallet racking leg guard Manufactured from heavy steel plate and bolted to the warehouse floor independent of racking, the Bull-dog Bracket protects your investment and reduces the risk of collapse due to impact		

Please email to sales@spacepac.com.au for more information

Menni Racking End Protectors

Part Number	Description	Trade Price	
# MRP1100	Menni' Single racking end guard 1080mm		
# MRP2200	Menni' Double racking end guard 2160mm		

Please email to sales@spacepac.com.au for more information

Pallet Support Bar Frame

Part Number	Description		
# SP1590	838mm Supports		
# SP1600	1219mm Supports		

Please email to sales@spacepac.com.au for more information