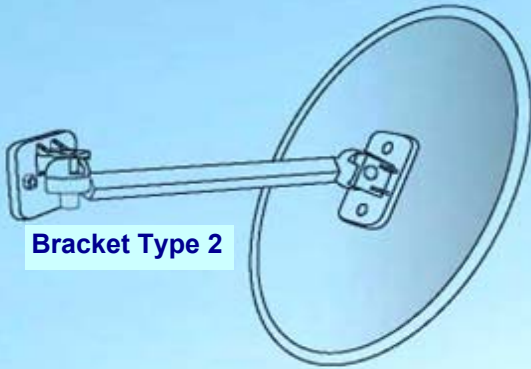
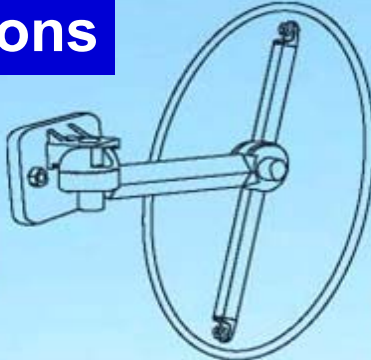


Replaces all previous versions

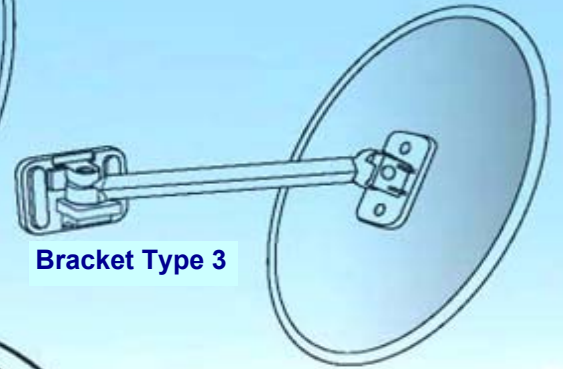
Bracket Configurations



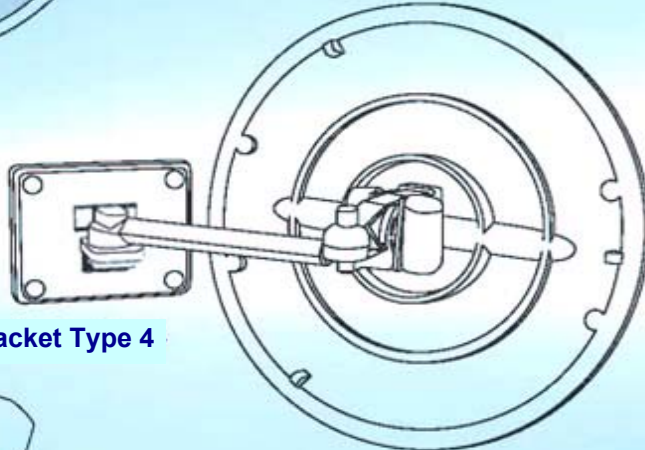
Bracket Type 2



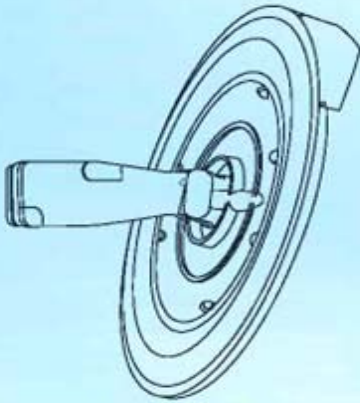
Bracket Type 1



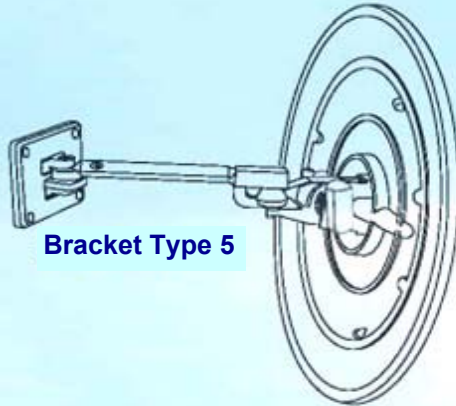
Bracket Type 3



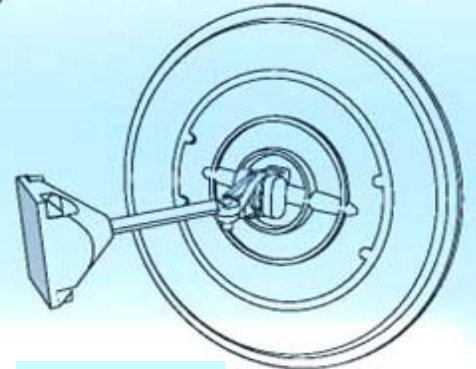
Bracket Type 4



Bracket Type 7

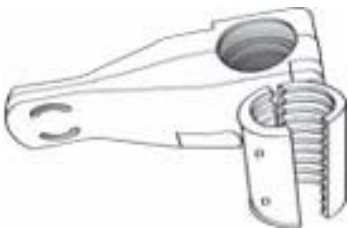


Bracket Type 5

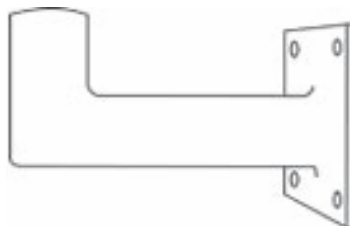


Bracket Type 6

Accessories & Options



Post Mount assembly enables all B-Series and Small SS-Series mirrors to be mounted on a 75mm outside dia. (o/d) post.



Elbow Wall Fitting converts the X-Series and the Large SS-Series from a standard post-fitting to a wall fitting bracket.

Galvanised Posts (not shown) are available in 60mm and 75mm o/d in 2.4m and 3.2m lengths.



U-Bolt Pairs suit the wall-fitting A-, T- and Small SS-Series mirrors to mount on 60 mm o/d posts.

U-Bolt Kits are an economical alternative for mounting some B-Series and SS-Series mirrors to 60mm o/d posts.

SAFE-T-VIEW CONVEX MIRRORS

Our policy of constant product improvement may lead to changes to specifications/prices without notice.