

Replaces all previous versions

Effective 14th March 2006

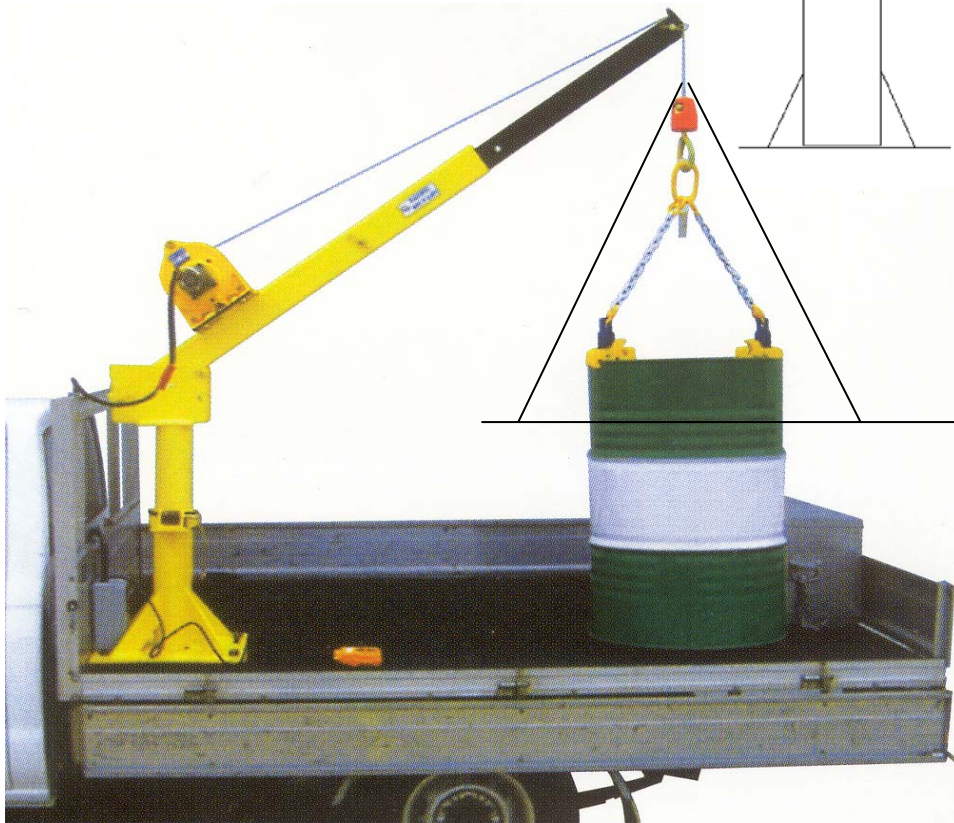
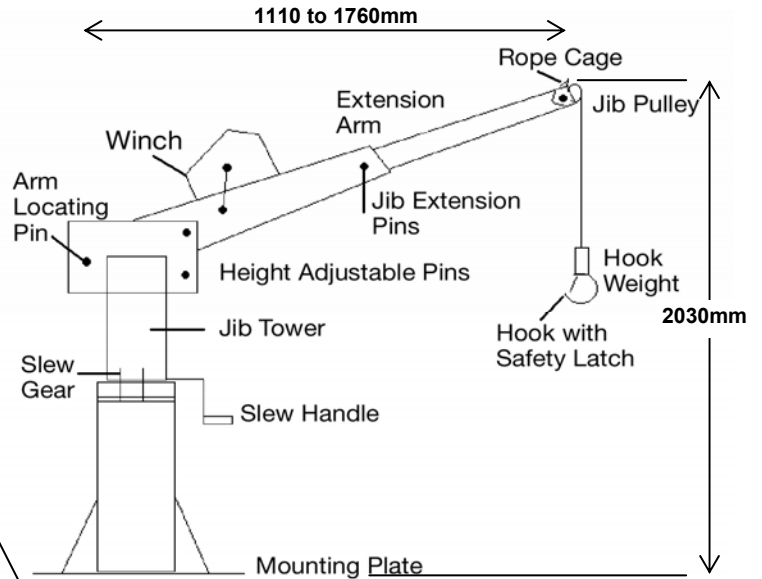


# Pacific My-T-Lift Crane

The My-T-Lift is an economical alternative to costly truck mounted hydraulic cranes and is suitable for mounting on utilities, light trucks, trailers or pontoons etc.

## Special Features

- ➔ Rugged construction with low maintenance powder coated finish
- ➔ Bearings & pre-lubricated bushes fitted to make slewing easier
- ➔ Folds down when not in use
- ➔ Allows accurate placement of loads even in confined spaces



**SafePower Clamps**  
 - Multi Lifter #SAF250

MY-T-LIFT Base Plate Dimensions are 450 x 455 mm, 16mm Dia Holes

Model	MYT300B (Bare)	MYT300M	MYT300E	MYT300F	# SAF250
Lift	kg	300	300	300	300
Rope Length	m	NIL	6	12	12
Winch Type		NIL	BHW Winch	12V DC	24V DC
Weight	kg	68	78	83	83

**Multi-Lifter For Open Or Closed Drums - Capacity: 500Kg Powder Coated**

All prices/specifications subject to change without notice.

Add 10% GST - Australia Only

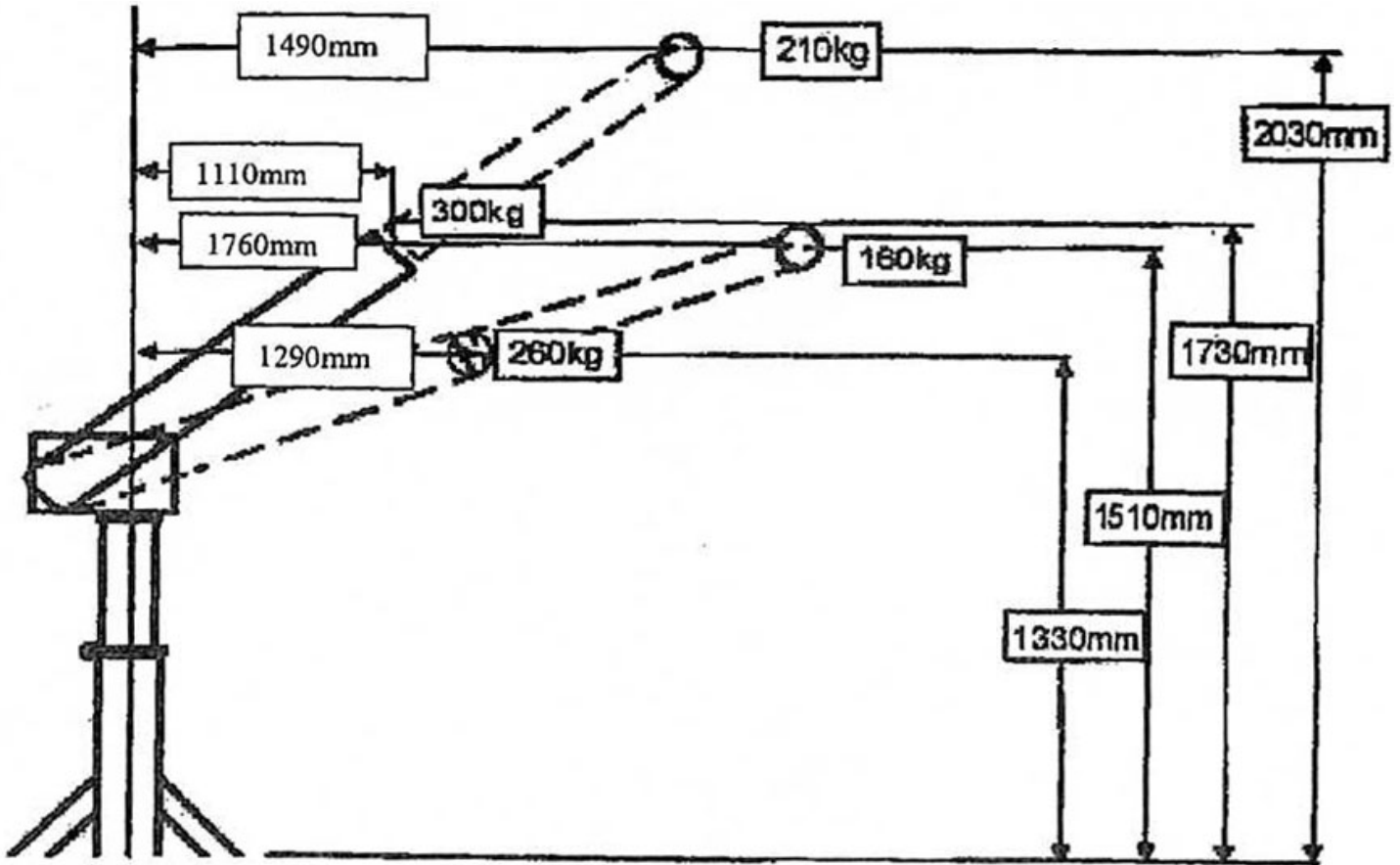
Replaces all previous versions

Effective 14th March 2006

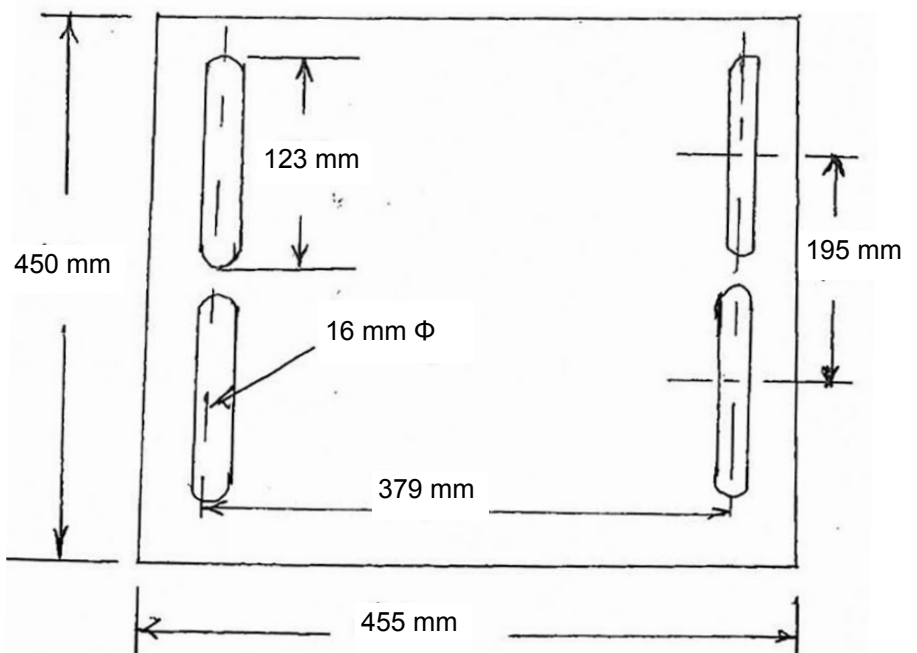


# Pacific My-T-Lift Crane

## My-T-Lift Dimensions:



## Mounting Base Dimension:



All prices/specifications subject to change without notice.

Add 10% GST - Australia Only