

Replaces all previous versions

Effective 1st December 2003

# MULTIPLAN - VERTICAL FILING SYSTEMS

## HANDFILES, WALL UNITS & NON-RACKING SUPPORTS

**STD 170mm CENTRES - SHIPPED IN KIT FORM**  
**HANDFILES**

**COLOUR LIGHT GREY**

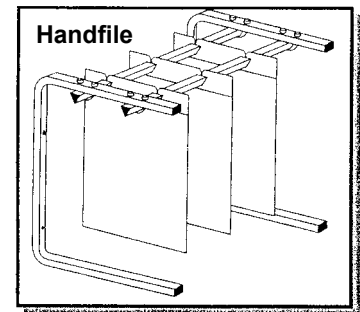
DESCRIPTION	PRODUCT CODE		
HANDFILE - SMALL	HFILE		
HANDFILE - LARGE	HFILESC		

CAPACITY	HEIGHT	WIDTH	DEPTH
650 A2/A3	540mm	400mm	330mm
1500 A2/A3	540mm	733mm	330mm

**WALL MOUNTS (Wall Mounted Work Stations)**

DESCRIPTION	PRODUCT CODE		
TWO PRONG	WU2		
THREE PRONG	WU3		
FOUR PRONG	WU4		
FIVE PRONG	WU5		
SIX PRONG	WU6		
SEVEN PRONG	WU7		

CAPACITY
70/A2, A3
70/A1
70/B1
70/A1
70/B0
70/B0+



\*\*Note: Wall Units with 9" centres also available

**WALL BRACKET SETS**

DESCRIPTION	PRODUCT CODE		
WB set 2 Bar	WBS2GREY		
WB set 3 Bar	WBS3GREY		

CAPACITY	HEIGHT	WIDTH	DEPTH
1350/A3	400mm	800mm	410mm
1350/A2, A1	400mm	800mm	5810mm

\*\*Note: Capacities based on 90 gsm documents with standard strips

**NON-RACKING SUPPORT UNITS FOR USE IN NON-RACKING INSTALLATIONS**

DESCRIPTION	PRODUCT CODE		
SUPPORT UNIT 2 Bar	1SU2NR		
SUPPORT UNIT 3 Bar	1SU3NR		
SUPPORT UNIT 4 Bar	1SU4NR		
SUPPORT UNIT 5 Bar	1SU5NR		
CENTRE SUPPORT	SUEXNR		

CAPACITY
For A2, A3 documents
For A1 documents
For B1 documents
For A0 documents
Required every 800mm (maximum space)

**Prices Ex-Factory, Freight Additional**

\*\*Note: Standard tribar length in non-racking support units is 895mm.  
 Price of support units larger than standard is based on tribar length.  
 Non-standard tribar length to be specified by the customer.



#WU5

#WU3

All prices/specifications subject to change without notice.