

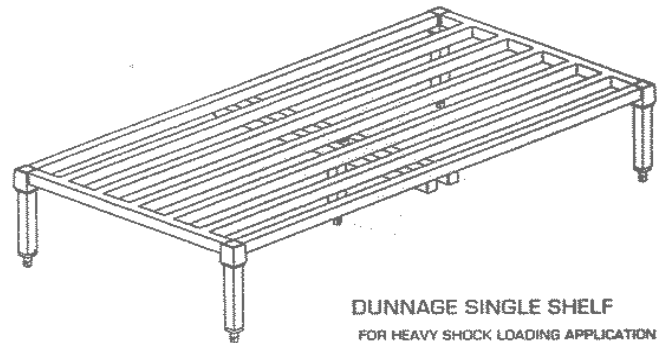
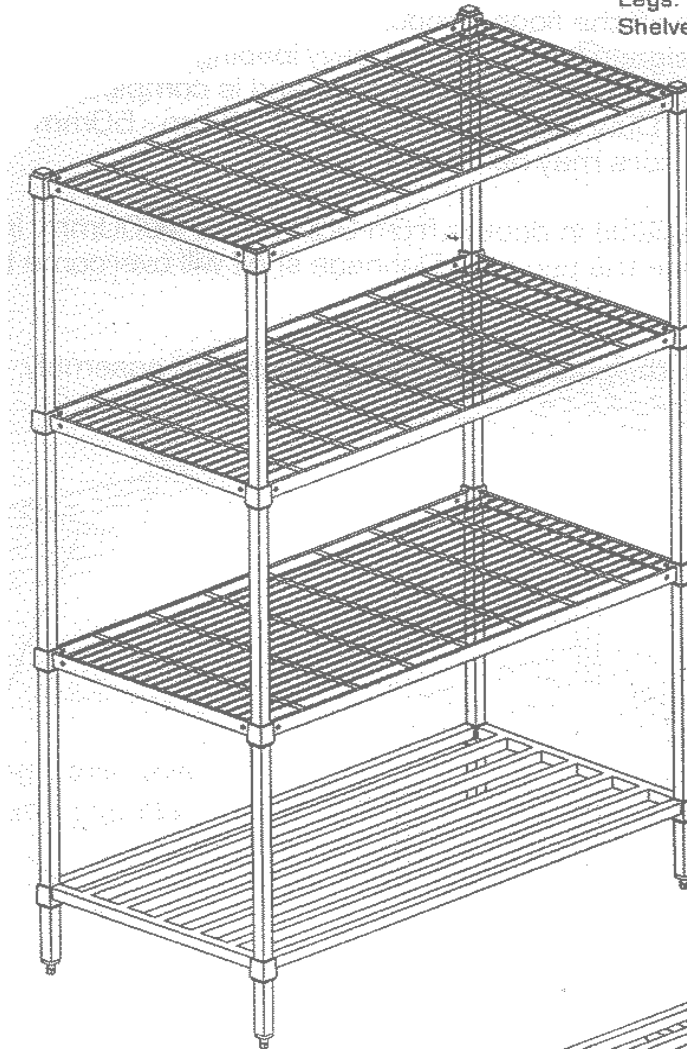
# MANTOVA - POST "DUNNAGE" DIAGRAM

## MATERIALS

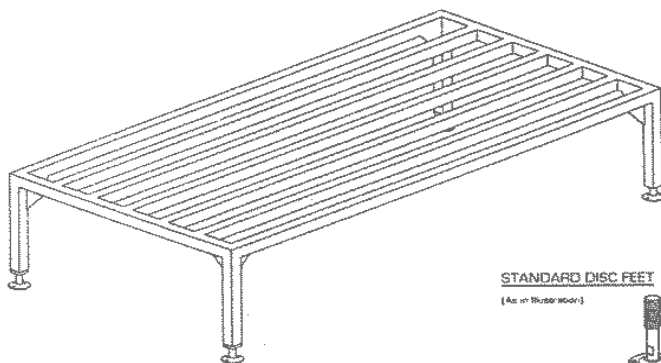
Legs: 25.4mm x 25.4mm Sq. Tube

Shelves: Wire Grid Shelves

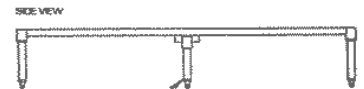
Dunnage 25.4mm x 25.4mm  
Sq. Tube Base Shelf



**DUNNAGE SINGLE SHELF**  
FOR HEAVY SHOCK LOADING APPLICATION



**DUNNAGE SINGLE SHELF**  
- FULLY WELDED FRAME  
FOR EXTREME LOADING / EXTRA HEAVY DUTY APPLICATION

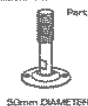


ADDITION OF CENTRAL  
SUPPORT LEG for 1500-1850-1800 lengths.

**STANDARD DISC FEET**

(As in Illustration)

Part No. 1500-50D



50mm DIAMETER

**STANDARD BULLET FOOT**

(As in Illustration)

