

Replaces all previous versions

Effective 16th April 2012

LIFTAIDE S SERIES - Manual Lift Trolleys



- Backsaving
- Versatile
- Easy to use
- Suit any workplace

S4 Series

Table Size: 500mm x 400mm
 Lift Height: 1260mm - 1760mm - 2060mm
 Wheels: 100mm Swivel, Rear with Brakes
 Capacity: 150kg

S6 Series

Table Size: 600mm x 600mm
 Lift Height: 1260mm - 1760mm - 2060mm
 Wheels: 100mm Swivel, Rear with Brakes

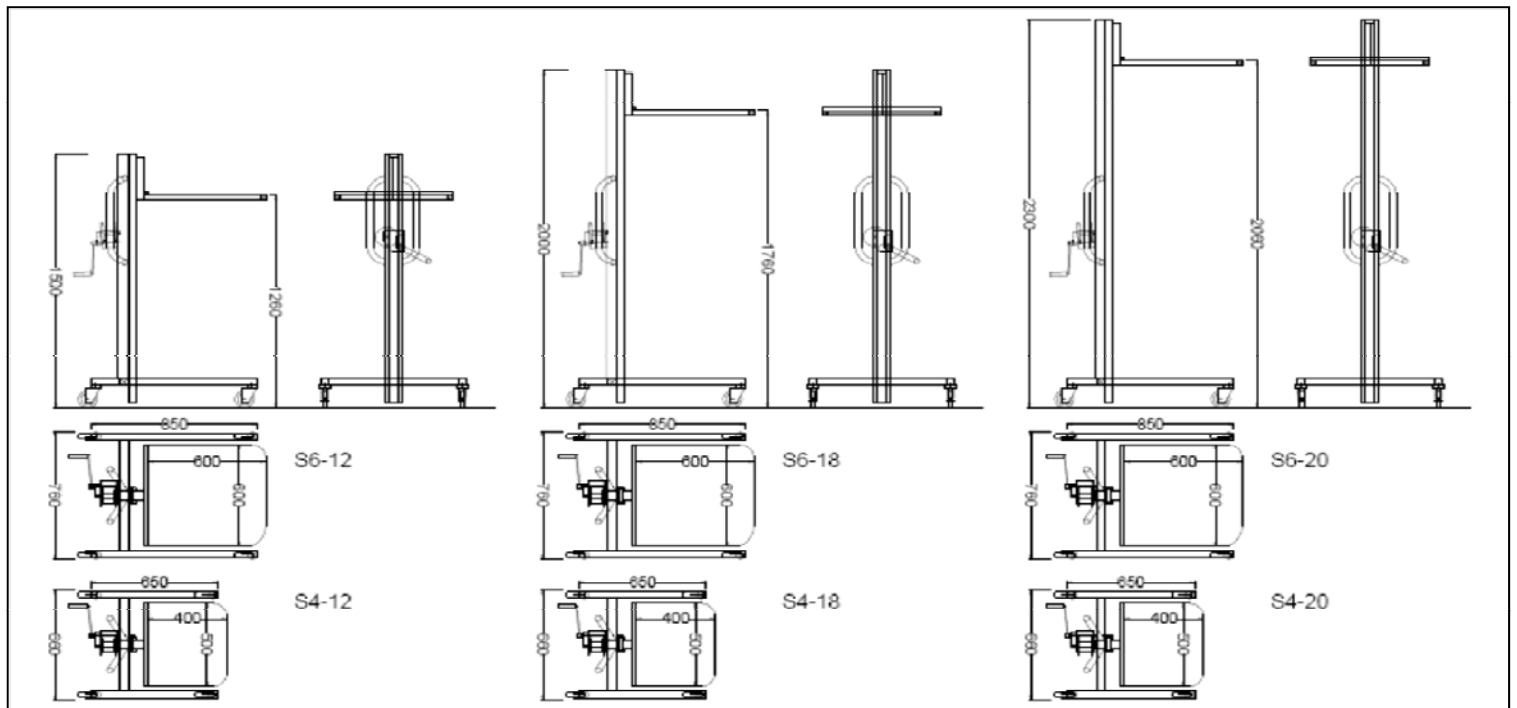


- Manual hand winch lift
- Silent winch
- Safety Cable Cover

Options:

- Electric Lift
- Larger Castors
- Wheely Bin Lift Forks
- Low Clearance Base
- Counter Balance
- 2 Stage lift
- Fixed dimnsion forks
- Adjustable Forks
- Lift Jib
- Roll Mandrel
- Gas Cylinder Cradle
- Roll / Drum Cradle
- Roll / Drum Rotators
- Tote Bin Tipppers
- Roll Grippers
- Mixer Bowl Rotators
- Custom design tables and Accesories

Code	OA Dimensions H x L x W mm	Lift Height	Table Size mm	Capacity
# S4-12	1500H x 650L x 660W	1200 mm	500 x 400	150 kg
# S4-18	2000H x 650L x 660W	1800 mm		
# S4-20	2300H x 650L x 660W	2000 mm		
# S6-12	1500H x 850L x 760W	1200 mm	600 x 600	150 kg
# S6-18	2000H x 850L x 760W	1760 mm		
# S6-20	2300H x 850L x 760W	2050 mm		



All prices/specifications subject to change without notice.

Replaces all previous versions

Effective 16th April 2012

LIFTAIDE S SERIES - Manual Lift Trolleys



- Backsaving
- Versatile
- Easy to use
- High Reach
- For use in many workplaces

2 Stage Lift Trolley

Standard Lift: 3200 mm
Custom lift heights available (POA)

2 stage mast available on all of the Liftaide series:

- S Swivel & LO Low base Lift Trolleys
- Cw Counter Balance Lift Trolleys
- Stainless Steel Lift Trolleys

Lift capacity: 150 kg

Lift Options:

- Manual Winch Lift (Standard)
- Battery Electric Lift

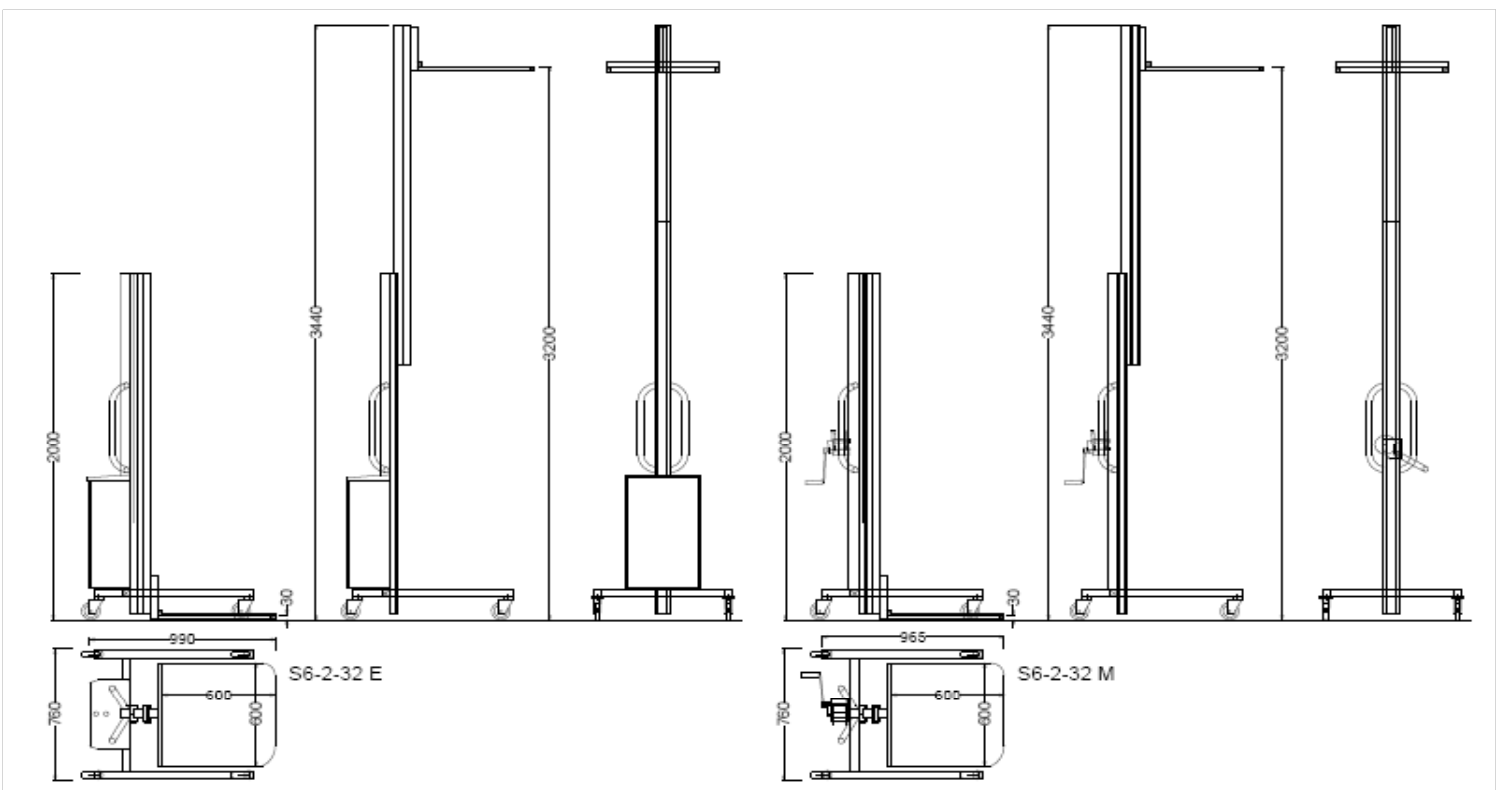
Available with all Liftaide Series:

- Tables & Custom Accessories

Also available with Safety Sides & Rear Barriers, for safe operation at raised heights.



Code	OA Dimensions H x L x W mm	Lift Height	Table Size mm	Capacity
# S6-2-32	Manual Lift - 2 Stage	3200 mm	600 x 600 mm	150 kg



All prices/specifications subject to change without notice.

Replaces all previous versions

Effective 16th April 2012

LIFTAIDE S SERIES - Manual Lift Trolleys

CW - Counter Balanced Lift Trolleys

Lift capacity: 120 kg

Lift Options:

- Manual Winch Lift (Standard)
- Battery Electric Lift

Available with all Liftaide Series:

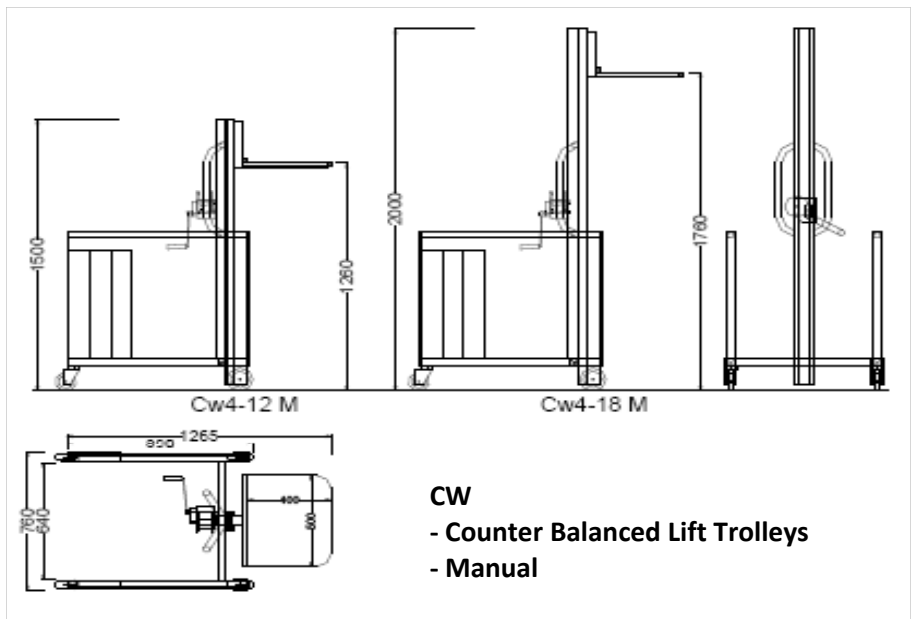
- Flat Tables
- Gas Cylinder Cradle
- Custom Accessories & Attachments



Code	Description	
CWB	Counter Weight Base	Add to Listed Trolley page 1-2
JRM	Jib / Roll Mandrell 600L	Add to Listed Trolley page 1-2
FORK	Adjustable Forks	Add to Listed Trolley page 1-2
GCC	Gas Cylinder Cradle	Add to Listed Trolley page 1-2
RGR **	Roll Clamp / Rotator	Plastic-Paper Rolls / Clamp / Rotator
SDR **	Small Drum Rotator	Small Drum Cradle / Clamp / Tipper
TBR **	Tote Bin Rotator	Nally no 10-15 Bins / Similar Bins
MBR **	Mixer Bowl Rotator	S/Steel Mixer Bowls 300-650 mm Dia.



Illustrated :
 Optional
 Stainless steel
 Lift Trolley with
 Custom Fork
 (POA)



**Custom Design and Accessories
 are available, Please email to
 Spacepac@spacepac for more information**