

Replaces all previous versions

Effective 16th March 2012

# LIFTAIDE N & G SERIES - Manual Lift Trolleys



- Backsaving
- Versatile
- Easy to use
- For any Workplace

# N4-12



# G4-12

## N Series Lift Trolleys

Manual Winch Lift  
 Steel Powder Coat Finish  
 Wheels: 250mm Pneumatic Wheels  
 Optional: 200mm Solid Rubber Wheels

## G Series Lift Trolleys

Wheels: - 250mm Solid Rubber  
 - 75mm Swivel

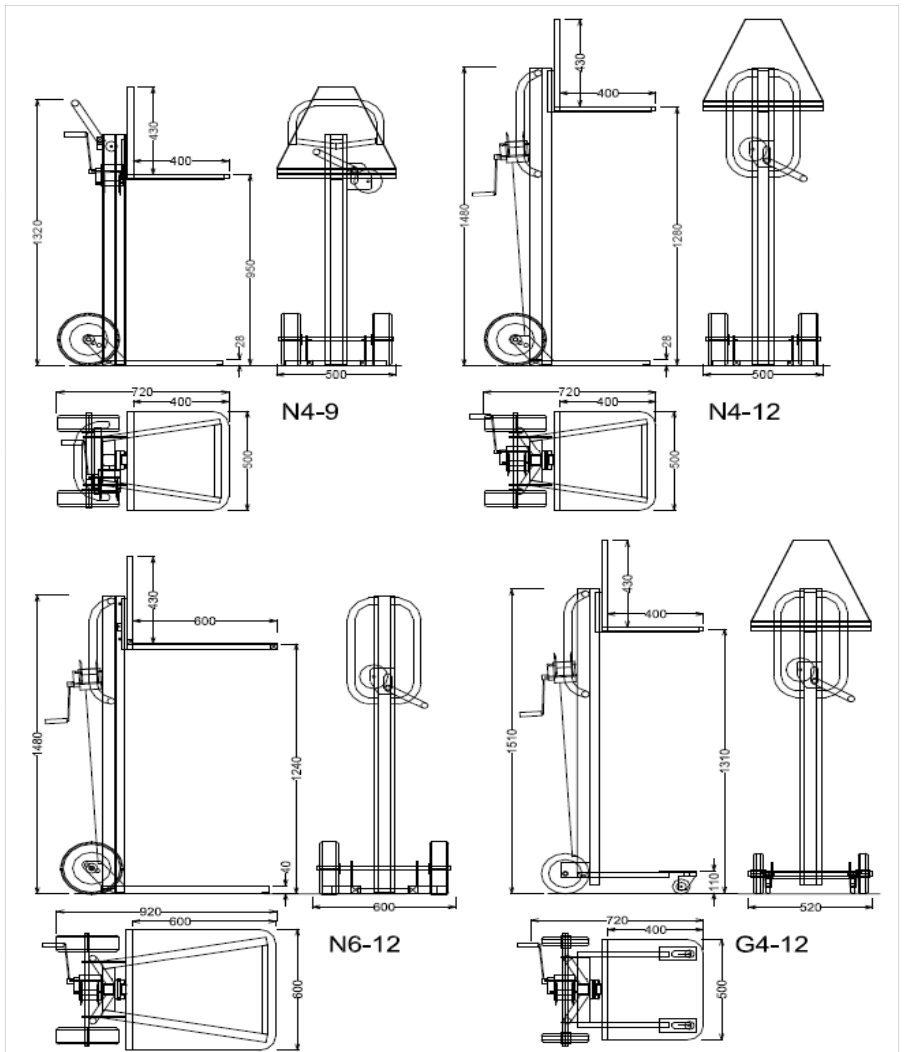
### Available with:

- Rear Load Support
- Load Restraint Straps
- Gas Cylinder Cradle
- Custom Lift Heights
- Custom Tables
- Stainless Steel (POA)



# N4-9

Code	OA Dimensions H x L x W mm	Lift Height	Table Size mm	Capacity
# N4-9	1320H x 720L x 500W	900 mm	500 x 400	150 kg
# N4-12	1480H x 720L x 500W	1200 mm	500 x 400	150 kg
# N6-12	1480H x 920L x 600W	1200 mm	600 x 600	150 kg
# N6-15	-	1470 mm	600 x 600	150 kg
# G4-12	1510H x 720L x 500W	1250 mm	500 x 400	150 kg



All prices/specifications subject to change without notice.

**ADD 10% GST AUSTRALIA ONLY**