

Replaces all previous versions

Effective 1st June 2008

PLATFORM STEP LADDERS

Professional Contractor Platform Step Ladders - 150 Kg Load Rating

Features

- Made to Australian and New Zealand standards AS/NZS 1892.1
- Designed for tradespeople to comply with new 'Working at Heights' legislation
- Provides a stable, portable temporary work platform
- Punchlock front frame constructed for strength and resistance to ladder walk
- Welded rear frame for additional rigidity
- Wide non slip platform made from tough reinforced fibreglass
- Polypropylene handrail with moulded tool tray
- Handrail height is 900mm and meets OH&S requirements
- Folds up when not in use
- Available in seven sizes to meet your access requirements
- Industrial duty rating
- **Optional wheel kits are available for these products. See page 3**
- **Supplied with front castor brackets prefitted**
- Model shown is FS10706



Part Number	Description	Weight KG	Material	Height to Platform	Trim Colour	Trim Colour
# FS10706	Professional Contractor Platform Step 2	7.8	Aluminium	575 mm	Yellow	Yellow
# FS10707	Professional Contractor Platform Step 3	8.6	Aluminium	860 mm	Yellow	Yellow
# FS10708	Professional Contractor Platform Step 4	10.1	Aluminium	1146 mm	Yellow	Yellow
# FS10709	Professional Contractor Platform Step 5	11.8	Aluminium	1431 mm	Yellow	Yellow
# FS10710	Professional Contractor Platform Step 6	12.7	Aluminium	1716 mm	Yellow	Yellow
# FS10711	Professional Contractor Platform Step 7	17.3	Aluminium	2001 mm	Yellow	Yellow
# FS10712	Professional Contractor Platform Step 8	19.2	Aluminium	2287 mm	Yellow	Yellow

Please email to spacepac@spacepac.com.au for current pricing

All prices/specifications subject to change without notice.

Replaces all previous versions

Effective 1st June 2008

PLATFORM STEP LADDERS

Fibreglass Platform Step Ladders - 150 Kg Load Rating

Features

- Manufactured in Australia and made to Australian & New Zealand std AS/NZ1892.3
- Designed for electrical tradespeople to comply with new 'Working at Heights' legislation - Electro-Safe™
- Wide non slip platform made from tough reinforced fibreglass
- Multi-function (polypropylene) handrail/accessories holder (900mm from platform)
- Bailey's Punchlock® design resists twisting and ladder walk - 70% stronger than traditional pop riveted steps
- Fibreglass frame provides an electrically safe (non conductive) work area - Electro-Safe™
- Improved rubber boots for additional grip on all surfaces and extra protection of the fibreglass
- Triangular flat plate bracing - the safest and strongest method of tread bracing available
- Lightweight & compact for ease of movement in/around construction sites
- Available in seven sizes to meet your access requirements
- Industrial duty rating
- **Optional wheel kits are available for these products. See page 3**
- **Supplied with front castor brackets prefitted**



Model Shown is FS10720

Part Number	Description	Weight KG	Material	Height to Platform	Trim Colour	Trim Colour
# FS10720	Fibreglass Platform 2 Step	9.4	Fibreglass	576 mm	Yellow	Yellow
# FS10721	Fibreglass Platform 3 Step	10.8	Fibreglass	861 mm	Yellow	Yellow
# FS10722	Fibreglass Platform 4 Step	12.2	Fibreglass	1146 mm	Yellow	Yellow
# FS10723	Fibreglass Platform 5 Step	13.7	Fibreglass	1432 mm	Yellow	Yellow
# FS10724	Fibreglass Platform 6 Step	15.6	Fibreglass	1717 mm	Yellow	Yellow
# FS10725	Fibreglass Platform 7 Step	19.8	Fibreglass	2002 mm	Yellow	Yellow
# FS10726	Fibreglass Platform 8 Step	22.2	Fibreglass	2288 mm	Yellow	Yellow

Please email to spacepac@spacepac.com.au for current pricing

All prices/specifications subject to change without notice.

Replaces all previous versions

Effective 1st June 2008

PLATFORM STEP LADDERS

Welded Platform Step Ladders - 150 Kg Load Rating

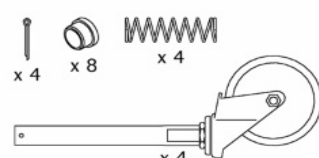
Features

- Welded Platform Stepladder
- Made to Australian and NZ Standard AS/NZS1892.1
- Designed for tradespeople to comply with new 'Working at Heights' legislation
- Made from heavy duty aluminium stiles and treads
- Folds up when not in use
- Handrail height is 900mm and meets OH&S requirements
- Multi-function (polypropylene) handrail/accessories holder (900mm from platform)
- Fully welded construction
- Industrial duty rating
- **Optional wheel kits are available for these products. See below**
- **Supplied with front castor brackets prefitted**
- Model shown is FS10713 2 step



Part Number	Description	Weight KG	Material	Height to Platform	Trim Colour	Trim Colour
# FS10713	Heavy Duty Platform Step 2	8	Aluminium	572 mm	Yellow	Yellow
# FS10714	Heavy Duty Platform Step 3	9.1	Aluminium	854 mm	Yellow	Yellow
# FS10715	Heavy Duty Platform Step 4	10.3	Aluminium	1136 mm	Yellow	Yellow
# FS10716	Heavy Duty Platform Step 5	11.6	Aluminium	1418 mm	Yellow	Yellow
# FS10717	Heavy Duty Platform Step 6	12.8	Aluminium	1700 mm	Yellow	Yellow
# FS10718	Heavy Duty Platform Step 7	17.3	Aluminium	1982 mm	Yellow	Yellow
# FS10719	Heavy Duty Platform Step 8	20	Aluminium	2264 mm	Yellow	Yellow

Wheel System (Optional for all the Platform Ranges)

Part Number	Description	
# FS22971	Silver Wheel System (2'-6' Platforms)	
# FS22972	Gold Wheel System (7'-8' Platforms)	

Please email to spacepac@spacepac.com.au for current pricing

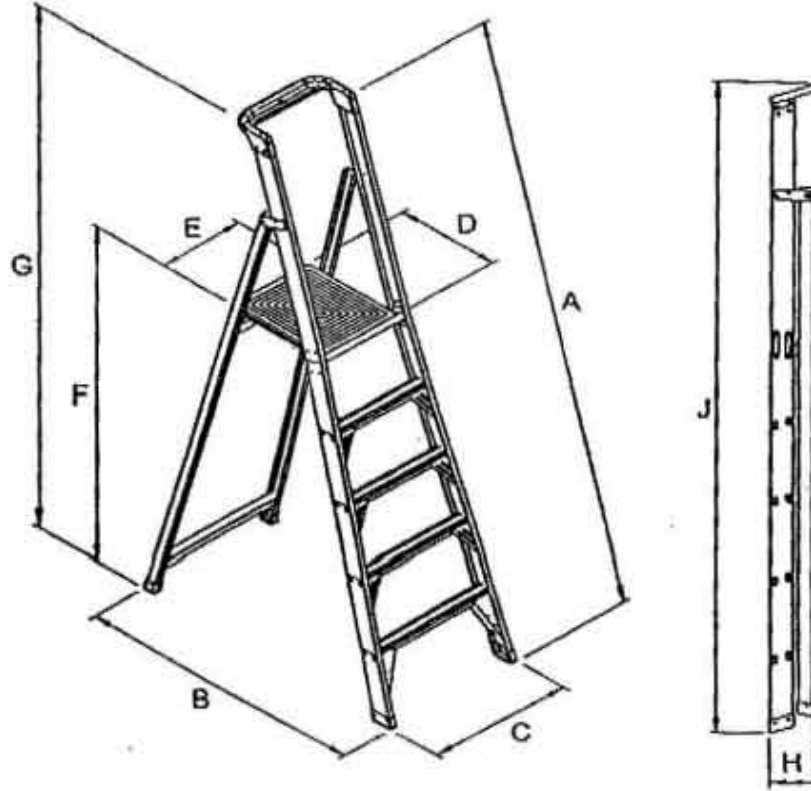
All prices/specifications subject to change without notice.

Replaces all previous versions

Effective 1st June 2008

PLATFORM STEP LADDERS

Data Sheet Platform Steps - 150 Kg Load Rating



PROFESSIONAL CONTRACTOR PLATFORM STEPS.

PROD No	DESCRIPTION	APN	A(mm)	B(mm)	C(mm)	D(mm)	E(mm)	F(mm)	G(mm)	H(mm)	J(mm)	WT kg	VOL m ³
FS10706	P/STEP 2 PC	9 312097 018365	1554	797	551	490	400	575	1477	157	1610	7.8	0.139
FS10707	P/STEP 3 PC	9 312097 015159	1854	966	591	490	400	860	1762	157	1910	8.6	0.177
FS10708	P/STEP 4 PC	9 312097 015166	2154	1135	631	490	400	1146	2048	157	2210	10.1	0.219
FS10709	P/STEP 5 PC	9 312097 015173	2454	1304	671	490	400	1431	2333	157	2510	11.8	0.264
FS10710	P/STEP 6 PC	9 312097 015180	2754	1474	711	490	400	1716	2618	157	2810	12.7	0.314
FS10711	P/STEP 7 PC	9 312097 015197	3054	1643	751	490	400	2001	2903	157	3110	17.3	0.367
FS10712	P/STEP 8 PC	9 312097 015234	3354	1812	791	490	400	2287	3189	157	3410	19.2	0.423

WELDED HEAVY DUTY PLATFORM STEPS.

FS10713	P/STEP 2 LWELD	9 312097 015241	1569	838	548	490	400	572	1474	156	1631	8.0	0.139
FS10714	P/STEP 3 LWELD	9 312097 015258	1869	1016	588	490	400	854	1756	156	1931	9.1	0.177
FS10715	P/STEP 4 LWELD	9 312097 015265	2169	1194	628	490	400	1136	2038	156	2231	10.3	0.219
FS10716	P/STEP 5 LWELD	9 312097 015272	2469	1372	668	490	400	1418	2320	156	2531	11.6	0.264
FS10717	P/STEP 6 LWELD	9 312097 015289	2769	1550	708	490	400	1700	2602	156	2831	12.8	0.313
FS10718	P/STEP 7 LWELD	9 312097 015296	3069	1728	748	490	400	1982	2884	156	3131	17.3	0.365
FS10719	P/STEP 8 LWELD	9 312097 015470	3369	1907	788	490	400	2264	3166	156	3431	20.0	0.422

FIBREGLASS PLATFORM STEPS.

FS10720	P/STEP 2 F/G	9 312097 017924	1552	809	549	492	400	576	1477	166	1609	9.4	0.147
FS10721	P/STEP 3 F/G	9 312097 017931	1852	978	589	492	400	861	1762	166	1909	10.8	0.187
FS10722	P/STEP 4 F/G	9 312097 017948	2152	1147	629	492	400	1146	2047	166	2209	12.2	0.231
FS10723	P/STEP 5 F/G	9 312097 017955	2452	1317	669	492	400	1432	2333	166	2509	13.7	0.279
FS10724	P/STEP 6 F/G	9 312097 017962	2752	1486	709	492	400	1717	2618	166	2809	15.6	0.331
FS10725	P/STEP 7 F/G	9 312097 017979	3052	1655	749	492	400	2002	2903	166	3109	19.8	0.387
FS10726	P/STEP 8 F/G	9 312097 017986	3352	1824	790	492	400	2288	3189	166	3409	22.2	0.447

Please email to spacepac@spacepac.com.au for current pricing

All prices/specifications subject to change without notice.