

MEZZALAD - ALUMINIUM MEZZANINE ACCESS LADDER



- Provides access to Mezzanine floors and space above offices, tea rooms, etc.
- Stores out of the way when not in use with a simple lift and push action
- Includes an upper floor gate and two hand rails to assist safe and easy climbing
- Features a safe step through design with a comfortable 600 mm between hand rails
- Fast and simple installation with universal fixing bracket and two bolt fixing
- Available in a size to suit your application
- Convenient, safe, easy access to Mezzanine areas.
- Stores flat against wall when not in use.

Mezzalad features a space saving mechanism which allows it to be stored flat against the wall when not in use, and is brought to the operative position with a simple lift and pull action.

At 600 mm, the step width provides comfortable access, and two hand rails are included for safe and easy climbing. The side rails are lengthened to provide hand railing extending 900 mm beyond the upper floor, enabling safe step through access to the upper floor while maintaining a hand hold.

A Safety Gate is provided at the upper floor level to maintain the integrity of the perimeter railing.

All risks associated with operating the gate while standing on the ladder are eliminated as the gate may be opened or closed with the operator standing fully on the upper floor.

The ladder is fastened at the upper floor level. Installation is simple with two universal brackets allowing fastening to be made either to the floor or wall and the ladder may be secured with bolts or screws.



A range of standard sizes:

Mezzalad is produced in two separate series to suit all floor heights between 1.31 to 4.7 meters.

The **VH series** available in four sizes suits the most popular floor heights between 2.33 to 3.225 meters.

The **CM series** (manufactured to order) is available in twelve sizes to suit the remaining floor heights in the range.

Please Note: CM series is available in Asia Pacific only.

Compliance with - AUSTRALIA STANDARDS

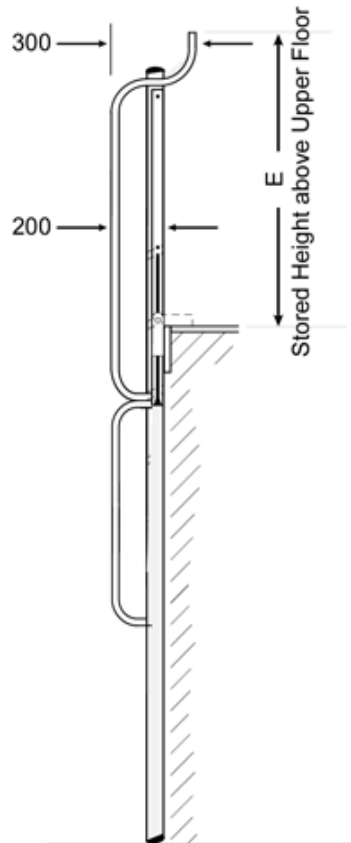
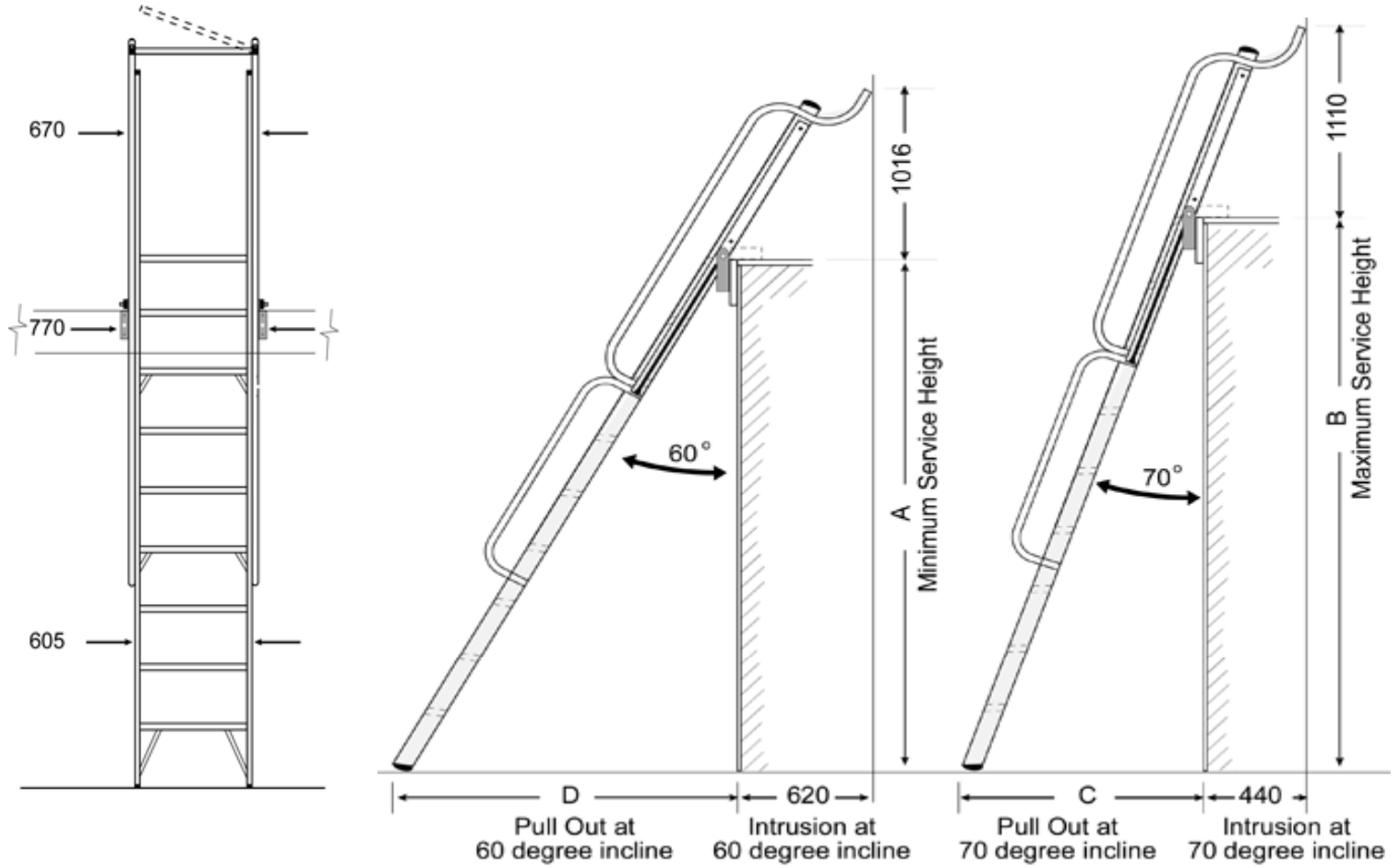
- The "MEZZALAD" is a hybrid ladder that crosses over both AS/NZS 1892.1:1996 and AS 1657-1992.
- We have Manufactured the Mezzalad primarily under the AS/NZS 1892.1:1996 standard for portable Ladders as this is the most relevant standard.
- There is no reference or guidelines to handrails in these standards so we have referenced AS 1657-1992 for Fixed Platforms, Walkways, Stairways and Ladders guidance on hand railing.
- The "MEZZALAD" is labelled as complying to the relevant elements of AS/NZS 1892.1:1996 standard for portable Ladders



Replaces all previous versions

Effective 22nd November 2011

MEZZALAD - ALUMINIUM MEZZANINE ACCESS LADDER



SPECIFICATIONS - June 2011

	Part Number	Incline (mm)	Service Height (mm)		Pull Out (mm)		Top H	
			A	B	C	D	E (max)	
Made To Order	# SM-CM100	60-70	1310	1420	597	845	1386	
	# SM-CM101	60-70	1420	1545	642	908	1409	
	# SM-CM102	60-70	1545	1675	690	980	1422	
	# SM-CM103	60-70	1675	1820	743	1055	1446	
	# SM-CM104	60-70	1820	1975	799	1139	1466	
	# SM-CM105	60-70	1975	2145	861	1229	1492	
Standard	# SM-CM106	60-70	2145	2330	928	1327	1519	
	# SM-VH01	60-70	2330	2529	1001	1433	1545	
	# SM-VH02	60-70	2529	2744	1091	1548	1575	
	# SM-VH03	60-70	2744	2977	1165	1672	1608	
Made To Order	# SM-VH04	60-70	2977	3225	1262	1807	1639	
	# SM-CM111	63-70	3225	3385	1312	1692	1562	
	# SM-CM112	60-70	3385	3675	1417	2043	1710	
	# SM-CM113	60-70	3675	3990	1532	2210	1756	
	# SM-CM114	60-70	3990	4330	1656	2392	1802	
	# SM-CM115	60-70	4330	4700	1791	2588	1856	

All prices/specifications subject to change without notice.

ADD 10% GST AUSTRALIA ONLY

MEZZALAD - ALUMINIUM MEZZANINE ACCESS LADDER

APPLICATIONS AND SIZE SELECTION

Correct selection of Stockmaster requires a knowledge of both the operating environment and the application. Read the Operating Environment and Application data and then choose your size from the chart at the end of this page.

The following information is a guide. For further help, email to sales@spacepac.com.au

Point of Attachment.

Any structure being part of a building must comply with relevant building codes.

Any independent structure such as a free standing mezzanine must be capable of withstanding a horizontally applied force of 120 kg in any direction at the point of attachment.

Service Height.

Stockmaster Mezzalad is available in two formats.

The CU series which is manufactured to suit a given floor height with an incline of 70 degrees to the floor and the VH series which adapts to any floor height within a given range by automatically adjusting the angle of incline between 60 and 70 degrees to the floor. Service heights for both formats are given in the tables below.

The Operating Space.

Pull Out Clearance

In the open or use position Mezzalad requires space for the user to safely mount and dismount the ladder.

When standing in front of the ladder the minimum desirable distance between the base of the ladder and any wall or obstruction behind the user is 0.8 meters and should not be less than 0.6 meters.

Pull out dimensions are given in the specifications tables in the **Dimensions** section of this site. For use in confined areas, check the available operating space and consult Spacepac who can provide you with the exact pull out dimension for your installation.

Overhead Clearance

When moving from the open to the closed or stored position the height of the ladder above the upper floor will increase. The increase in height will depend on the angle of incline of the ladder to the floor when in the open or use position. The maximum **Stored Height above the Upper Floor** is given in the specifications tables in the **Dimensions** section of this site. For use in confined areas, check the available operating space and if necessary consult your dealer who can provide you with the exact Stored Height above Upper Floor dimension for your installation.

Upper Floor Intrusion

When moving from the closed to the open or use position the ladder will intrude into the upper floor area. The degree of intrusion will depend on the angle of incline of the ladder to the floor when in the open or use position. The minimum and maximum **Intrusion into Upper Floor** dimensions are given in the specifications tables in the **Dimensions** section of this site. If necessary consult your dealer who can provide you with the exact Upper Floor Intrusion dimension for your installation.

Principal Applications

Mezzalad is designed for personnel access between floor levels including access to Mezzanines, Lofts, Loading Docks and Storage Areas above Factory Offices and Tea Rooms etc. The product is not intended for use to convey large or heavy items between floor levels and conveyance of items must be limited to small and light items that can be carried in one hand and permit a three point contact when ascending or descending the ladder. **Note: This product does not substitute for the stair access where required under the building code.**

Please note: CU series Mezzalad is available in Asia Pacific only.