

CARBIS TC10 Freestanding Mobile Platform

The TC10 is free standing and has interchangeable cages all using the same base and ladder. It's a more robust design and covers all the ranges of vehicles be it trucks or rail cars using the same unit. We have a standard cart as well as a side mount (lateral movement) cart



TC10 models or variation:

✓ TC10-HC/TR-FLT

Used to access hopper cars/trucks, tank trucks & isotainers
cage: 1664mmWide x 2140mmLong x 1067mmHigh

✓ TC10-RC-FLT

Used to access rail cars
cage: 1981mmWide x 2438mmLong x 305mmHigh

TC10 mobile platforms are manufactured by Carbis to USA OSHA Standards (as interpreted). If variations are required, the #TC10 can be custom modified at additional cost - customers will need to provide a detailed drawing to enable a quotation.

Illustrated side mount model
#TC10-RC-S-FLT, Standard Model
(with Forklift Tubes - Not Shown)



#TC10-HC/TR-FLT Illustrated, Standard Model



TC10-S models or variation for lateral movement:

✓ TC10-HC/TR-S-FLT

Side mount unit for hopper cars/trucks, tank trucks & isotainers
cage: 1664mmWide x 2140mmLong x 1067mmHigh

✓ TC10-RC-S-FLT

Side mount unit for rail cars
cage: 1981mmWide x 2438mmLong x 305mmHigh



Forklift Tubes (#FLT)

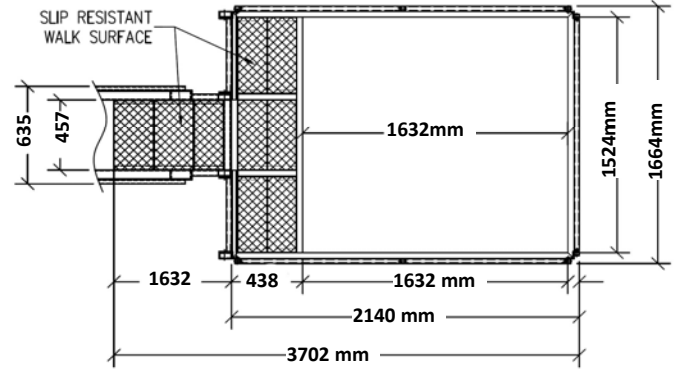
Replaces all previous versions

Effective 26th March 2012

TC10 - use for hopper cars/trucks, tank trucks & isotainers

Portable Hopper Car or Tank Truck access system

- Aluminum flat-step extension ladder with open serrated metal plank steps
- Un-extended height 2997mm under platform
- Extended height 5029mm under platform
- 457Wx724Lmm platform walkway at top of ladder to which a cage is attached
- **1664mm wide X 2140mm long X 1067mm deep cage**
- Cage has 438mm walk surface on inboard side
- Open serrated metal plank walk surface on platform and base
- Handrails on platform, ladder, and base
- 406mm foam-filled swivel wheels on front
- 406mm foam-filled wheels on back
- Leveling jacks
- Hand winch operation
- Steering handle with tow bar
- Self-supporting when locking pins are fully engaged prior to accessing
- Rolling galvanized steel base
- Forklift Tubes Included



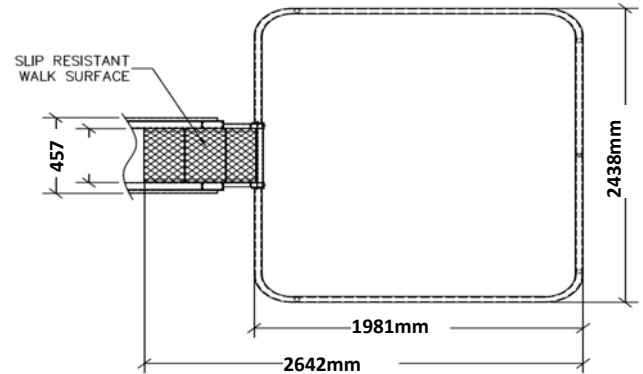
Items	Part Number	Details	
Used to access hopper cars/trucks, tank trucks & isotainers cage: 1664W x 2140L x 1067H mm	# TC10-HC/TR-FLT	Standard	<p style="color: red; text-align: center;">Please email to sales@spacepac.com.au for current pricing</p>
	# TC10-HC/TR-S-FLT	Side Mount	

Prices EX Sydney / Melbourne

TC10 - use for Rail Car

Portable tank truck access system

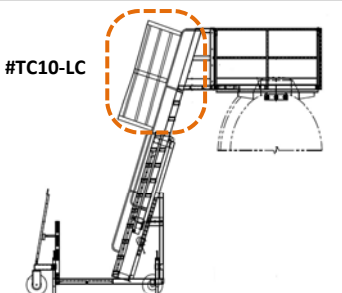
- Aluminum flat-step extension ladder with open serrated metal plank steps
- Un-extended height 2997mm under platform
- Extended height 5029mm under platform
- 457Wx724Lmm platform walkway at top of ladder to which a cage is attached
- **1981mm wide X 2438mm long X 305mm deep cage**
- Open serrated metal plank walk surface on platform and base
- Handrails on platform, ladder, and base
- 406mm foam-filled swivel wheels on front
- 406mm foam-filled wheels on back
- Leveling jacks
- Hand winch operation
- Steering handle with tow bar
- Self-supporting when locking pins are fully engaged prior to accessing
- Rolling galvanized steel base
- Forklift Tubes Included



Items	Part Number	Details	
Used to access rail cars cage: 1981W x 2438L x 305H mm	# TC10-RC-FLT	Standard	<p style="color: red; text-align: center;">Please email to sales@spacepac.com.au for current pricing</p>
	# TC10-RC-S-FLT	Side Mount	

Prices EX Sydney / Melbourne

Options



Items	Part Number	Details	
Options / Accessories	# TC10-LC	Ladder Cage to suit TC10	
		Modification to cage.. Etc	

All prices/specifications subject to change without notice.

Add 10% GST Australia only