

Replaces all previous versions

Effective 1st November 2005

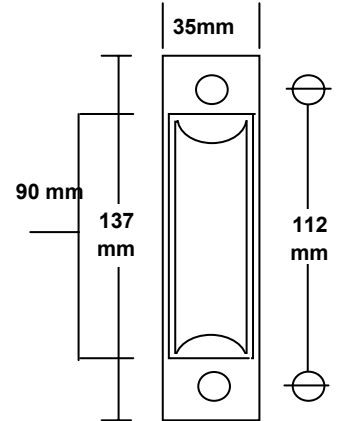
Sliding Gate Or Panel Accessories



Illustrated - Wheel & Housing

- Precision Sealed Bearing
- Passivated Zinc Finish
- 90mm Diameter x 25mm Wide Wheel
- 34mm Wide Housing
- Capacity 400Kg

- Requires 55mm clearance height inside RHS for Wheel
- Requires 35mm clearance width inside RHS for Wheel/Housing
- 8mm mounting holes



Illustrated - Wheel on Galvanised Track

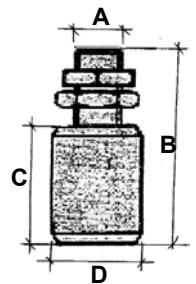
NOTE: Track also available with 3mm thickness for Domestic use - P.O.A.

Illustrated - Nylon Roller



#NR32
 A = 14mm
 B = 73mm
 C = 40mm
 D = 32mm Ø

#NR42
 A = 14mm
 B = 103mm
 C = 58.5mm
 D = 42mm Ø



Code	Description		
# SPTRACK-3MTR	o Track - For Sliding Gate - Galvanised - 4mm - 50 Tonne Capacity - 3 Metres (6Kg)	K	
# SPTRACK-4MTR	* Track - For Sliding Gate - Galvanised - 4mm - 50 Tonne Capacity - 4 Metres (8Kg)	K	
# SPTRACK-6MTR	o Track - For Sliding Gate - Galvanised - 4mm - 50 Tonne Capacity - 6 Metres (12Kg)	K	
# SPTRACKWHEEL	* Wheel - Grooved 90x25mm with Housing - 400KG Capacity (1Kg)	K	
# NR32	o Nylon Guide Roller - 32mm Diameter	K	
# NR42	* Nylon Guide Roller - 42mm Diameter	K	

• Prices are Ex-Factory & Freight is Additional

(o = To Order) (* = Stocked)

Our policy of constant product improvement may lead to changes to specifications/prices without notice.