

Replaces all previous versions

Effective 1st September 2007



# TRANSPAK - 300 kg Capacity

The Electrodrive Transpak is a motorised chassis, that converts an existing heavy trolley, to a powered trolley.

The Transpak can convert an existing trolley or Bain-marie, or a customised trolley can be built for you.

The drive system can be disengaged, with an easy to use foot pedal, enabling sideways movement.

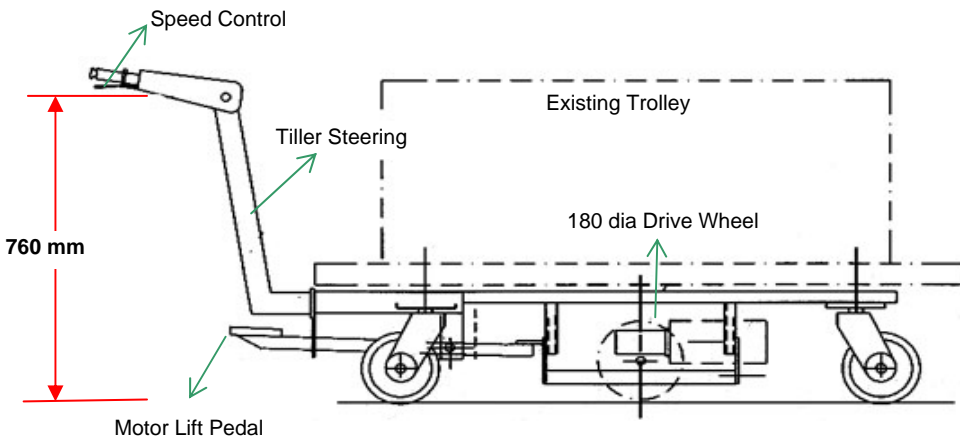
The Transpak has tiller or twist grip control.



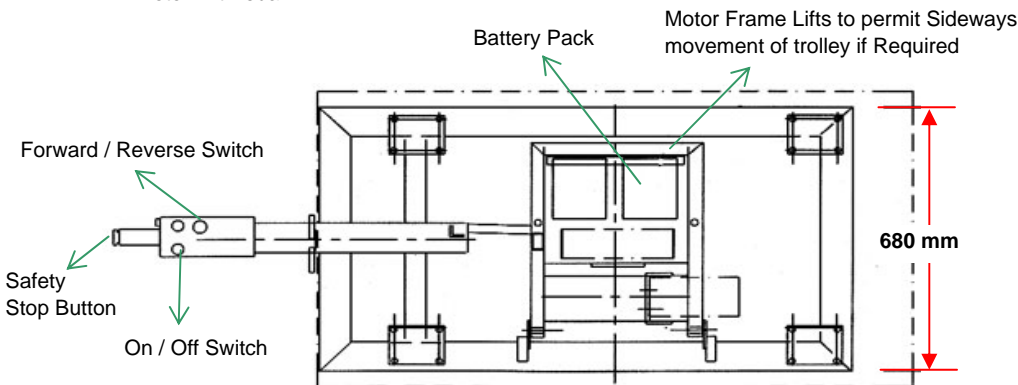
Tiller Control

Part Number	Description	
# TUG-TP	Transpak with Tiller Control - 300 kg Tow capacity	
# TUG-TP-T	Transpak with Twist grip Control 300 kg Tow capacity	
<b>Optional Extra:</b>		
# TUG-EL-HORN	Horn fitted to tiller arm	

*Please email to [spacepac@spacepac.com.au](mailto:spacepac@spacepac.com.au) for current pricing*



Speed 4.5 KPH  
 Electromagnetic and Parking Brakes  
 24 Volt Battery Pack



**12 Month Warranty**

All Twist Grip control units also come standard with a "Back-off Bar", Emergency STOP button, and a horn. All units come with Sealed Gel Batteries, Battery Condition Indicator & 8 Amp Charger as standard.

All prices/specifications subject to change without notice.

Replaces all previous versions

Effective 1st September 2007



# TRANSPAK - 300 kg Capacity



Transpak with Bain-Maries - Twist Grip Control



Transpak with Bain-Maries - Twist Grip Control

All prices/specifications subject to change without notice.