

Replaces all previous versions



GZUNDA BED / TROLLEY MOVER

The Gzunda is a battery powered mobile towing unit to assist in the movement of heavy beds and trolleys, eliminating back or shoulder strain. It is designed to save operator effort when pushing or pulling beds and trolleys.

The Gzunda body is made from 304 stainless steel which is ideal for infection control.

All Electrodrive equipment comes with a comprehensive 12 month warranty, including parts and labour



- ✓ Now with Quick Hitch
- ✓ No need to Disconnect in small lift (Selected Models)

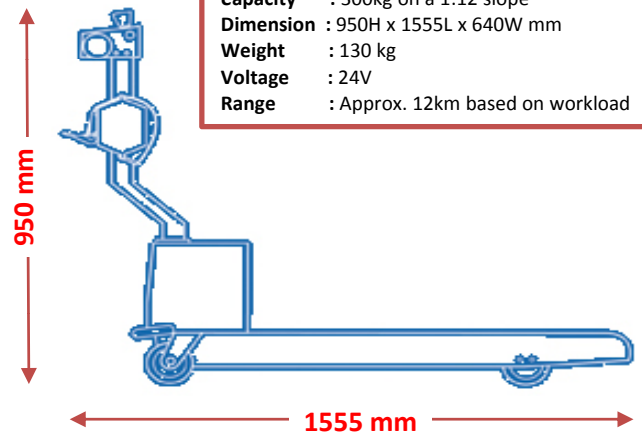
All units come with Emergency STOP Button, Sealed Gel Batteries, Battery Condition Indicator and 8 Amp Charger as standard. All Twist Grip control units also come standard with a "Back-off Bar".

250kg to 650kg models available

- Australian made D.C. geared motor
- Automatic electromagnetic park braking
- High capacity programmable controller
- 24V, deep cycle, sealed gel batteries
- High manoeuvrability
- Suitable for trolleys/beds with all swivel castors
- Training and servicing programs available
- Easy interaction with Bed / Trolley
- Adjustable toe height to suit low beds and clearance (std 100mm, 90mm or 80mm)

Specification for Standard Gzunda:

- Capacity : 300kg on a 1:12 slope
- Dimension : 950H x 1555L x 640W mm
- Weight : 130 kg
- Voltage : 24V
- Range : Approx. 12km based on workload



Part Number	Description	Tow Capacity	Castors Blue Rubber - Non Marking	
# TUG-GZ	Gzunda Bed and Trolley Mover - Standard	500 kg	125mm Diameter	
# TUG-GZ-ST	Gzunda Bed and Trolley Mover – Stumpy	250 kg	125mm Diameter	
# TUG-GZ-BD	Gzunda Mover for Bariatric Bed	650 kg	150mm Diameter	
# TUG-GZ-DUAL NEW!	Gzunda with Dual Hitch for Beds & Linen Trolleys, Tiller Handle and Twist Grip controls, Dual controllers.	500 kg	125mm Diameter	

Optional Extras :

Please email to spacepac@spacepac.com.au for current pricing

# TUG-EL-HORN	Horn fitted to control arm
# TUG-HT-GZUNDA	Gzunda Hitch - Linen Trolley Clamp or Drive Beam Type

12 Month Parts & Labour Warranty
 (Extended 3 Year Spacepac Warranty Available)

All prices/specifications subject to change without notice.

Replaces all previous versions

Effective 26th November 2008



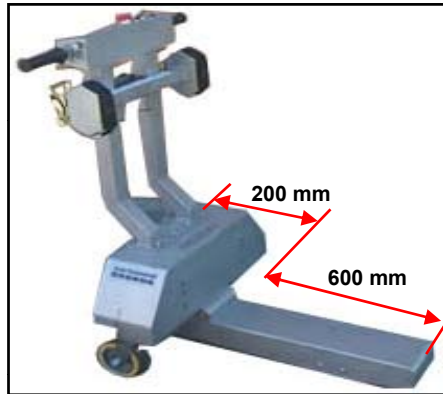
Electrodrive

GZUNDA BED / TROLLEY MOVER



B Straight Post Option with offset Attachment

C Stumpy with straight post, twist grip, and clamp for mixing bowl



E Stumpy Model # TUG-GZ-ST

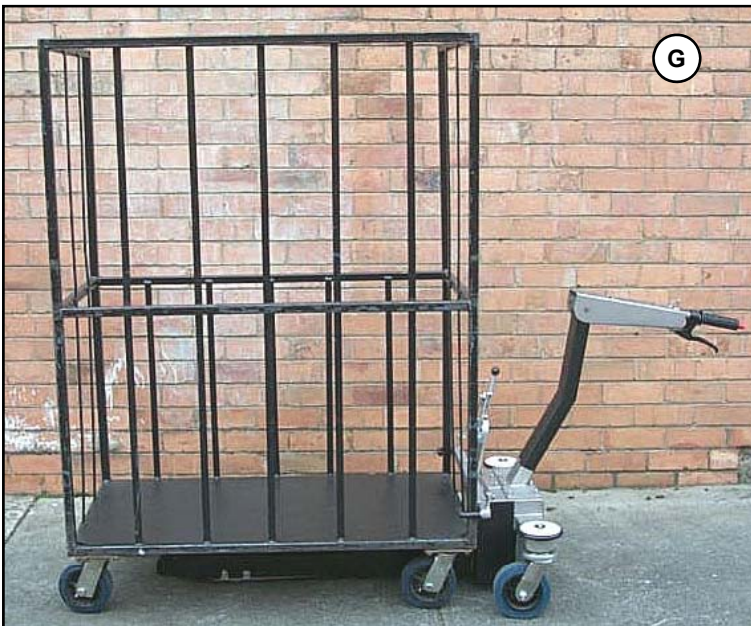


F With Straight Post and Clamp for Wheelchair



G With Offset Post & Standard Bed Attachment

Optional Tiller & Clamp



I With Straight Post and clamp for Linen Trolley

All prices/specifications subject to change without notice.

ADD 10% GST AUSTRALIA ONLY