

Storage Cages / Trolleys / Pallets **Stillage Cage**

Type PCM-01 Stillage Cage

A multi-use pallet size cage, designed to suit all warehousing and storage requirements, with the advantage of being quickly dismantled for valuable space saving & transport efficiency.

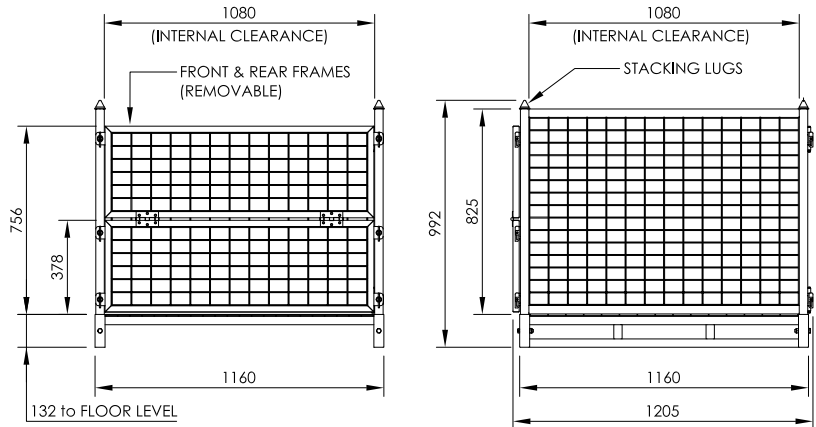
This durable, economical cage can be transported by forklift or pallet trolley, and can be stacked up to 4 high when empty and 2 high when loaded. Front drop down gate and rear hinge gate are both removable, and are able to be opened for easy access, even when stacked.

Optional Zinc plated sheet metal flooring which fits over the existing mesh base frame, is available upon request.

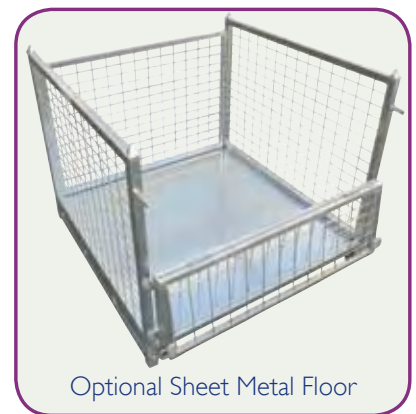
- Load Capacity: 1000 kg (evenly distributed)
- Unit Weight: 65 kg
- Zinc Plated Finish
- Unit is supplied flatpacked

Option Available

- Sheet Metal Floor



Internal Width (mm)	Internal Depth (mm)	Internal Height (mm)	Overall Width (mm)	Overall Depth (mm)	Overall Height (mm)
1080	1080	825	1160	1200	1000



Storage Cages / Trolleys / Pallets

Stillage Cage

Type PCMH-03 Stillage Cage

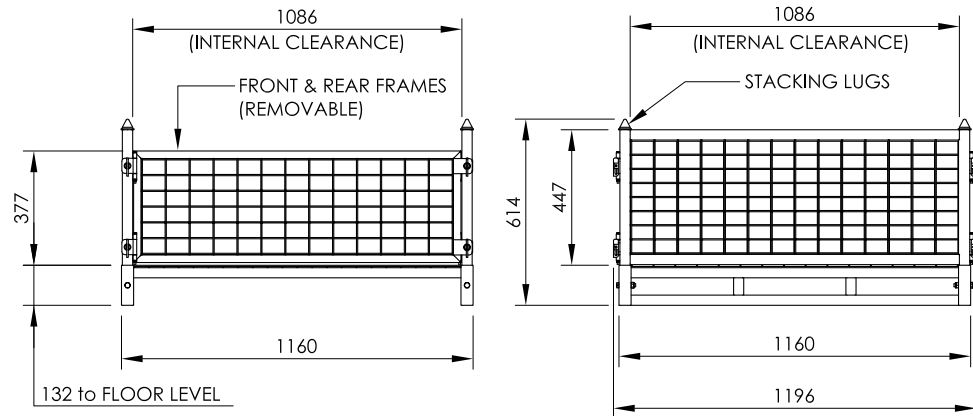
The PCMH-03 stillage cage is a smaller version of the PCM-01, being only half the height. The cage is fitted with removable front and rear hinged gates, which can be easily opened for access, even when stacked.

Able to be transported by forklift or pallet trolley, this cage can be stacked 4 high when empty and 2 high when loaded. Optional galvanised sheet metal flooring which fits over the existing mesh base frame is available on request.

- Load Capacity: 1000 kg (evenly distributed)
- Unit Weight: 53 kg
- Zinc Plate Finish
- Unit Supplied as flatpack

Option Available

- Sheet Metal Floor



Internal Width (mm)	Internal Depth (mm)	Internal Height (mm)	Overall Width (mm)	Overall Depth (mm)	Overall Height (mm)
1080	1080	377	1160	1200	614

