

Waste & Storage Bins

Drop Bottom Bins

Type DB Drop Bottom Bin

The DB Drop Bottom Bin is a heavy duty unit manufactured from 3mm plate and is reinforced to handle all types of solid waste product.

Able to be transported by either forklift or crane, emptying is carried out by pulling the draw rope handle which allows the floor to drop open from one side, allowing complete emptying. Shock absorbing system removes all impact from forklift or crane during emptying. Enamel painted finish.

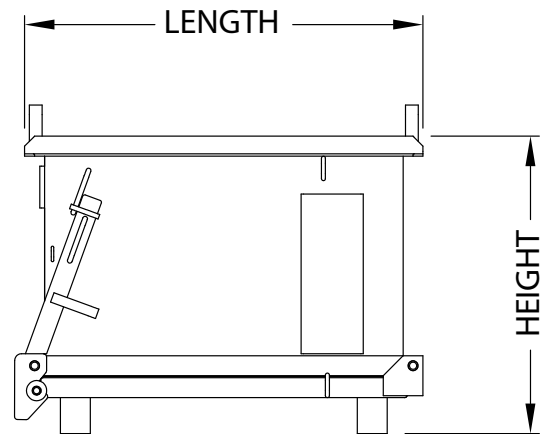
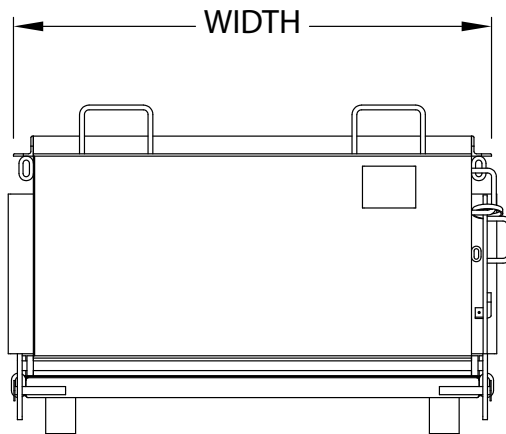
- Fork Pocket Size: 160 mm x 65 mm
- Fork Pocket Centres: 684 mm
- Safe Working Load: 1000 kg

Options Available:

- Cast Iron or Rubber Wheels



DB 800



Type	Capacity (cu. m)	Width (mm)	Length (mm)	Height (mm)	Unit Weight (kg)
DB 800	0.8	1200	1025	1045	225
DB 1100	1.1	1200	1025	1345	250



DB 1100



DB 800 + Wheels