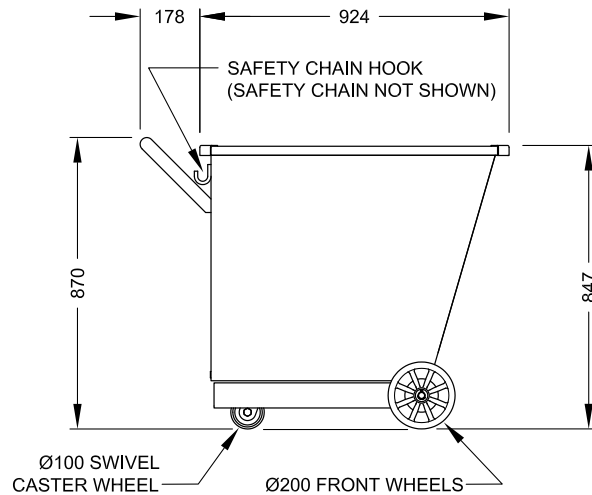
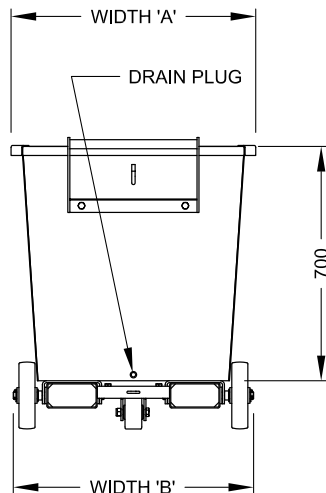


Waste & Storage Bins **Forklift Tipping Bins**

Type CFS Tipping Bin

The light weight and cost effective type CFS6 Fork Skip Bin has been manufactured from 2mm plate and is suitable for goods or waste transport and storage. Fitted with a forklift carriage and safety chain, two front wheels, a rear swivel wheel and push handle, these bins are designed for manual push over. Zinc plate finish.

- Fork Pocket size: 140 mm x 65 mm
- Fork Pocket Centres: 367 mm
- Safe Working Load: 350 kg
- Drain Plug fitted standard



Type	Capacity (cu. m)	SWL (kg)	Length (mm)	Height (mm)	Width (mm)	Overall Width (mm)	Unit Weight (kg)
CFS 6	0.35	350	1120	860	580	730	65
CFS 9	0.65	350	1120	860	900	1050	90



Waste & Storage Bins **Forklift Tipping Bins**

Type FSB Tipping Bin

A light weight and cost effective bin suitable for goods transport, storage or waste. Manufactured from 2mm plate, and available in either painted or zinc plated finish.

Fitted with a forklift carriage, these bins are designed for manual push over. Wheels fitted standard, two front and one rear:

- Fork Pocket Size: 160 mm x 65 mm
- FSB6 Fork Pocket Centres: 300 mm
- FSB9 Fork Pocket Centres: 640 mm

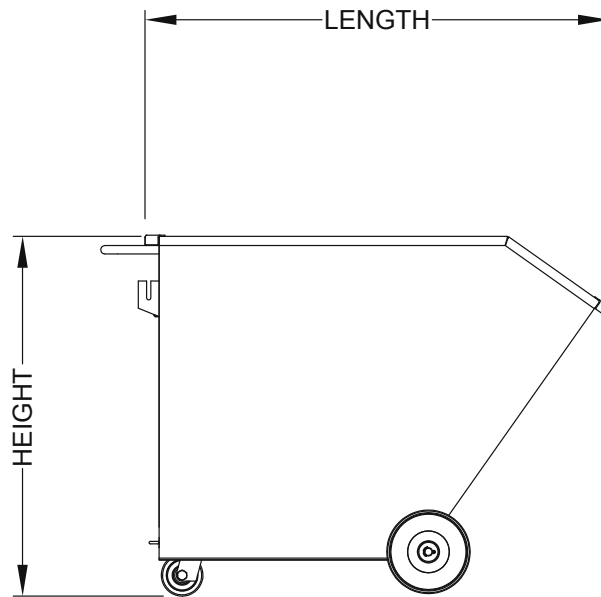
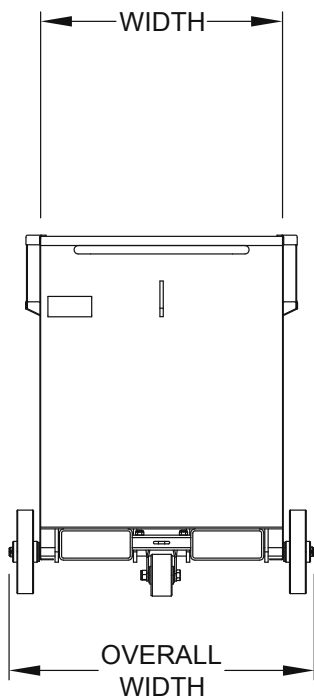
Options Available:

- Crane Lugs
- Drain Valve & Strainer



FSB 6

Type	Capacity (cu. m)	SWL (kg)	Length (mm)	Height (mm)	Width (mm)	Overall Width (mm)	Unit Weight (kg)
FSB 6	0.35	350	1120	860	580	730	65
FSB 9	0.65	350	1120	860	900	1050	90



FSB 9



FSB 6 Tipped

Waste & Storage Bins **Forklift Tipping Bins**

Type NSD Tipping Bin

The NSD self dumping waste bins provide an economical solution to collecting and disposing of industrial waste. During transport, the forklift tines are positioned fully under the bin ensuring the forklifts full lifting capacity is utilised.

To empty the bin the operator places the front feet of the bin inside the edge of the bulk dumpster, then drive backwards until the tines clear the pivot point and then raise to allow the bin to tip forward. Available in either painted or zinc plated finish.

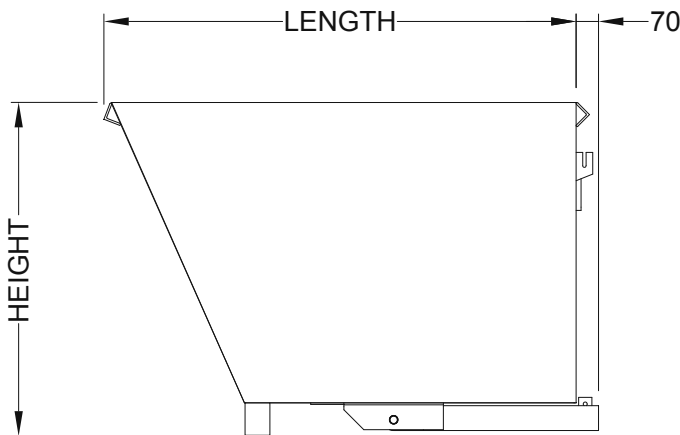
- Safe Working Load: 1000 kg
- Fork Pocket Size: 165 mm x 65 mm
- Fork Pocket Centres:
 - NSD6: 380 mm
 - NSD9 – NSD18: 635 mm



Options Available:

- Crane Lugs
- Drain Valve & Strainer
- Cast Iron or Rubber Wheels

Type	Capacity (cu. m)	Length (mm)	Width (mm)	Height (mm)	Unit Weight (kg)
NSD 6	0.7	1425	600	1000	185
NSD 9	1.0	1425	900	1000	200
NSD 12	1.35	1425	1200	1000	215
NSD 15	1.7	1425	1500	1000	240
NSD 18	2.0	1425	1800	1000	260



Waste & Storage Bins

Forklift Tipping Bins

Type SSD Tipping Bin

A low profile, compact bin for use in confined areas. Well suited to production machinery such as punching machines for the collection of slugs etc. Heavy duty construction with self dumping ability, the forklift operator empties the bin without leaving the drivers seat. Available in either painted or zinc plated finish.

- Safe Working Load: 1000 kg
- Fork Pocket Size: 165 mm x 65 mm
- Fork Pocket Centres: 405 mm
- Bin Width: 710 mm

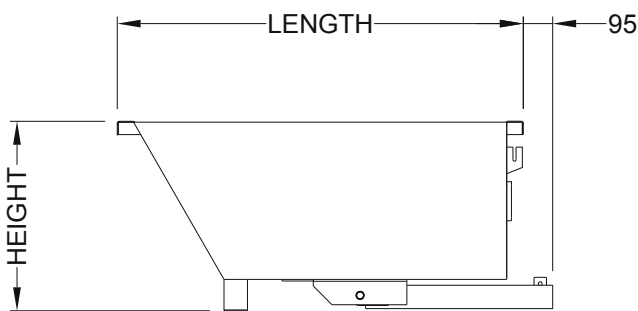
Options Available:

- Crane Lugs
- Drain Valve & Strainer
- Cast Iron or Rubber Wheels



SSD 3

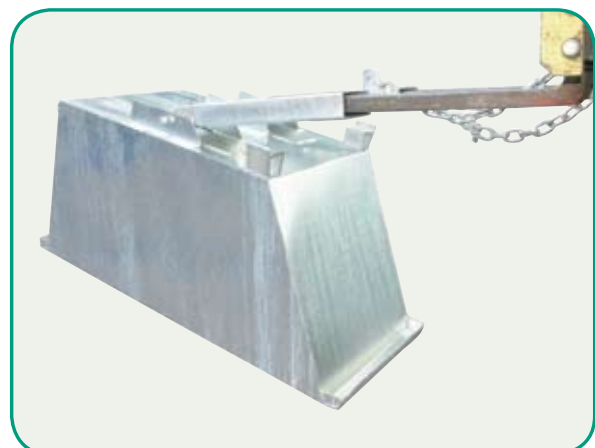
Type	Capacity (cu. m)	Width (mm)	Length (mm)	Height (mm)	Unit Weight (kg)
SSD 3	0.2	710	1185	400	80
SSD 4	0.3	710	1245	500	90
SSD 5	0.4	710	1300	600	100
SSD 6	0.5	710	1360	700	110



SSD 6 Stacked



SSD 4 + Wheels



Waste & Storage Bins **Forklift Tipping Bins**

Type JSD Tipping Bin

These are bulk capacity bins for heavy waste, with models available up to 5.4 cubic metres. Manufactured from 5mm plate and channel reinforcement, these bins have an SWL of 3000kg.

The JSD bins are fitted with oversize fork pockets to suit large forklifts. They are a self dumping bin with the operator not having to leave the drivers seat during the tipping cycle. Enamel paint finish.

- Safe Working Load: 3000 kg
- Fork Pocket Size: 180 mm x 80 mm
- Fork Pocket Centres: 950 mm

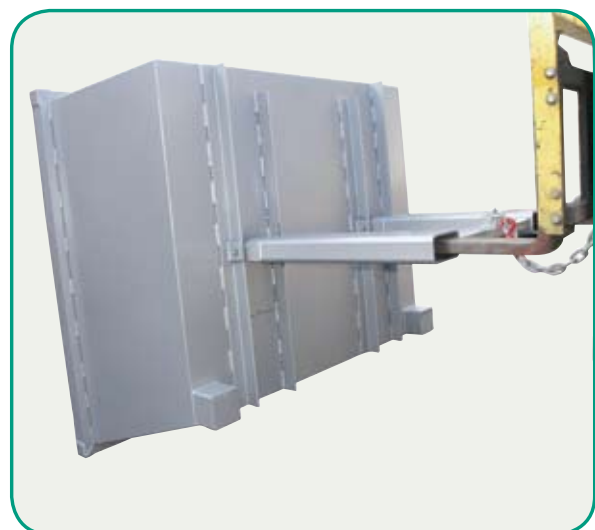
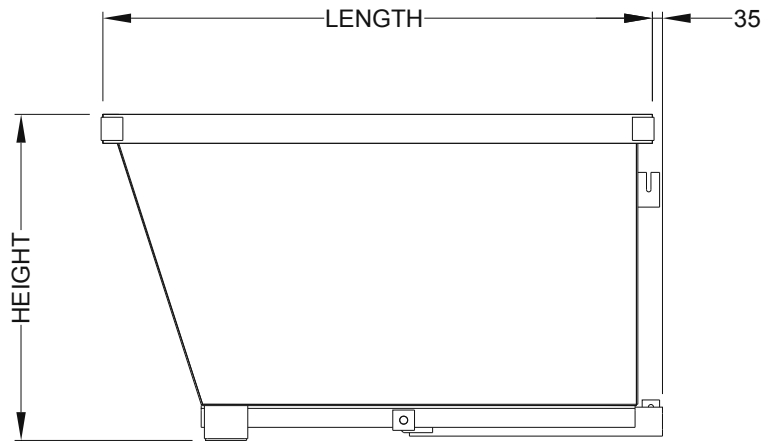
Options Available:

- Crane Lugs
- Drain Valve & Strainer



JSD 18

Type	Capacity (cu. m)	Width (mm)	Length (mm)	Height (mm)	Unit Weight (kg)
JSD 18	3.2	1910	1900	1125	850
JSD 24	4.3	2510	1900	1125	950
JSD 30	5.4	3110	1900	1125	1050



Waste & Storage Bins

Forklift Tipping Bins

Type CSD Tipping Bin

The economical CSD bin is a self dumping bin suitable for most waste handling applications. This bin is supplied standard with 4 crane lugs and upending lugs under.

It is also fitted with a drain plug and wheel brackets (wheels not supplied unless ordered). Being a nesting bin, it uses a minimum of space for storage and transport. Available in either painted or zinc plated finish.

- Safe Working Load: 1500 kg
- Crane Lugs fitted standard
- Drain Plug fitted standard

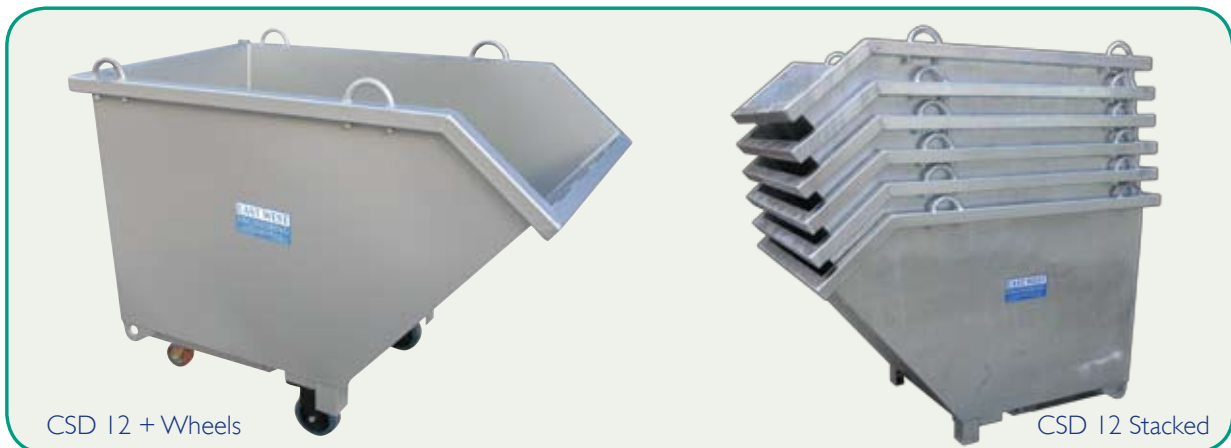
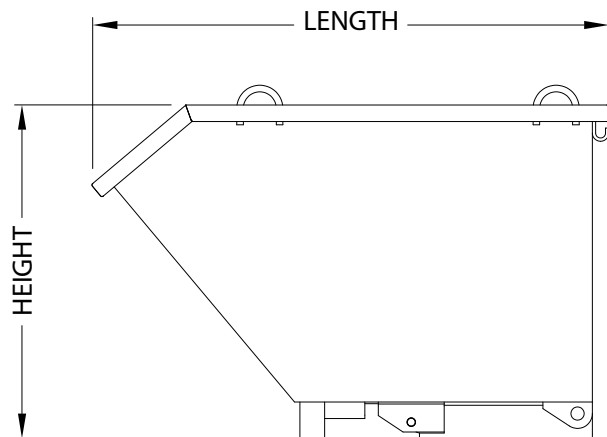
Options Available:

- Rubber or Cast Iron Wheels



CSD 12

Type	Capacity (cu. m)	Width (mm)	Length (mm)	Height (mm)	Fork Pocket Size (mm)	Fork Pocket Centres (mm)	Unit Weight (kg)
CSD 9	0.95	1010	1570	1010	185 x 75	380	180
CSD 12	1.25	1310	1570	1010	185 x 75	680	205



CSD 12 + Wheels

CSD 12 Stacked

Waste & Storage Bins

Forklift Tipping Bins

Type NTU Tipping Bin

The NTU heavy duty tip up bin is manufactured from 3mm plate and is fitted with fully reinforced edges. These bins are ideally suited to heavy waste including metal, timber and building site rubble.

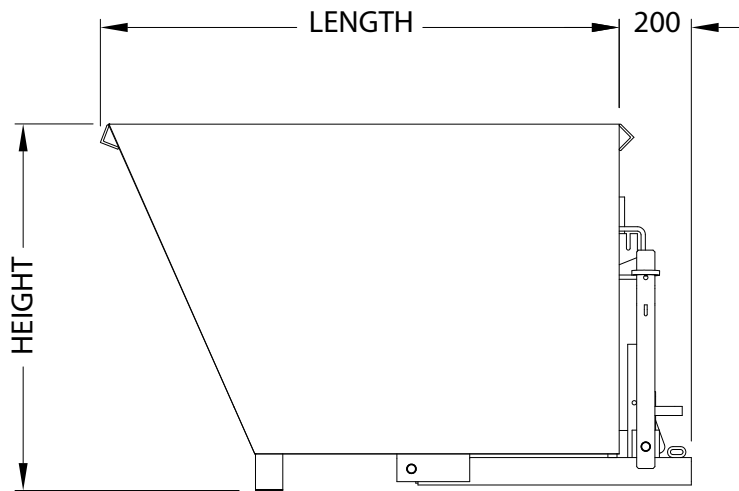
The release mechanism is activated by the forklift operator pulling the pull chord from the driver's seat. The custom built shock absorber prevents impact forces being transmitted to the forklift during emptying. Available in either painted or zinc plated finish.

- Fork Pocket size: 165 mm x 65 mm
- Fork Pocket Centres: 635 mm (NTU 6 – 405 mm)
- Safe Working Load: 1000 kg

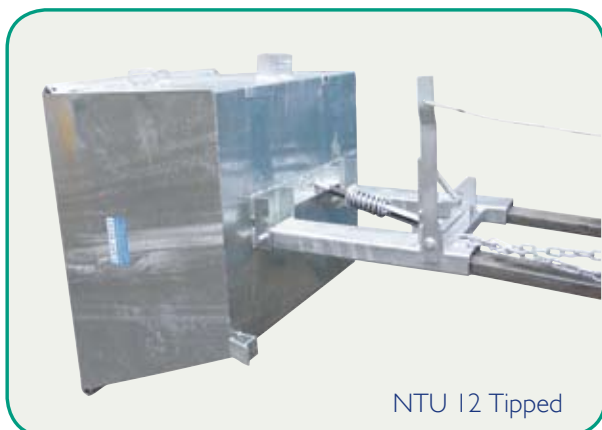


Options Available:

- Crane Lugs
- Cast Iron or Rubber Wheels
- Drain Cock & Strainer



Type	Capacity (cu. m)	Width (mm)	Length (mm)	Height (mm)	Weight (kg)
NTU 6	0.7	600	1420	1000	190
NTU 9	1.0	900	1420	1000	210
NTU 12	1.35	1200	1420	1000	225
NTU 15	1.7	1500	1420	1000	255
NTU 18	2.0	1800	1420	1000	280



Waste & Storage Bins **Forklift Tipping Bins**

Type TU Tipping Bin

The TU bin is manufactured from 3mm plate and has a lower profile which allows more versatility in confined areas. The pouring lip and smooth formed edges make this bin ideal for food industry applications.

The release mechanism is activated by the forklift operator pulling the draw rope from the driver's seat. The custom built shock absorber prevents impact forces being transmitted to the forklift during emptying. Available in either painted or zinc plated finish.

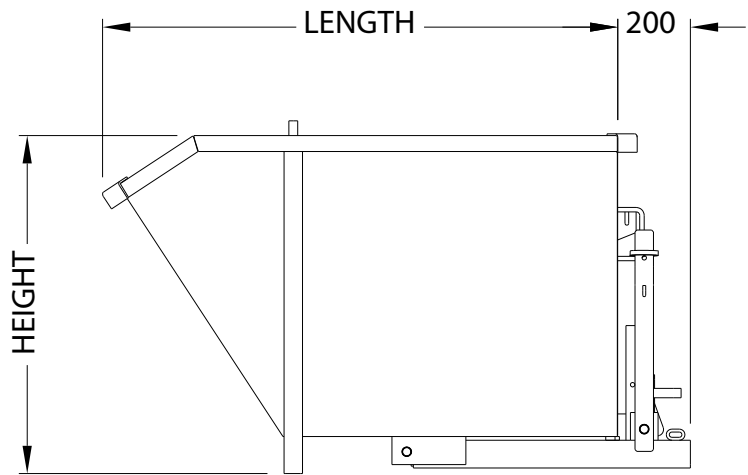
- Fork Pocket size: 165 mm x 65 mm
- Fork Pocket Centres: 635 mm (TU6 – 405 mm)
- Safe Working Load: 1000 kg



TU 9 + Wheels

Options Available:

- Crane Lugs
- Cast Iron or Rubber Wheels
- Drain Valve & Strainer



Type	Capacity (cu. m)	Width (mm)	Length (mm)	Height (mm)	Unit Weight (kg)
TU 6	0.5	700	1400	915	185
TU 9	0.75	1000	1400	915	200
TU 12	1.0	1300	1400	915	215
TU 15	1.25	1600	1400	915	240
TU 18	1.5	1900	1400	915	260



TU 12 + Wheels



TU 12 + Crane Lugs

Waste & Storage Bins

Forklift Tipping Bins

Type JTU Tipping Bin

A larger bin for bulk capacity, the JTU bin is manufactured from 3mm plate and fitted with strengthening ribs. The release mechanism is activated by the forklift operator pulling the draw rope from the driver's seat. Powerful shock absorbers prevent impact forces being transmitted to the forklift during emptying. Available in either painted or zinc plated finish.



JTU 24 + Crane Lugs

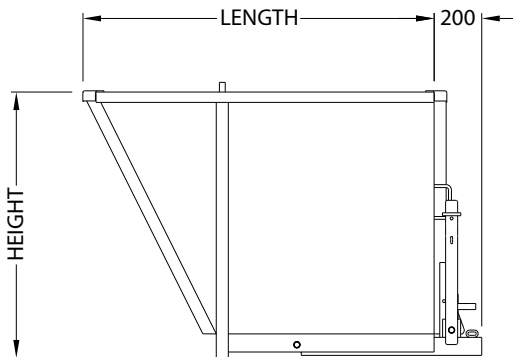


JTU 18 + Plastic Lids

- Fork Pocket size: 165 mm x 65 mm
- Fork Pocket Centres: 735 mm
- Safe Working Load: 1000 kg

Options Available:

- Crane Lugs
- Cast Iron or Rubber Wheels
- Drain Valve & Strainer
- Plastic Lids for JTU 18 only



Type	Capacity (cu. m)	Width (mm)	Length (mm)	Height (mm)	Unit Weight (kg)
JTU 18	2.25	1900	1460	1100	270
JTU 24	3.0	2500	1460	1100	310



Waste & Storage Bins **Forklift Tipping Bins**

Type ROB Rollover Bin

The ROB bin has a smooth tipping action with minimal impact when emptying. The cut away front lip makes this style of bin ideal for tipping liquid product. To tip, the operator simply pulls the handle via a draw rope without leaving their seat. Available in either painted or zinc plated finish.

- Fork Pocket size: 165 mm x 65 mm
- Fork Pocket Centres: 625 mm
- Safe Working Load: 1000 kg

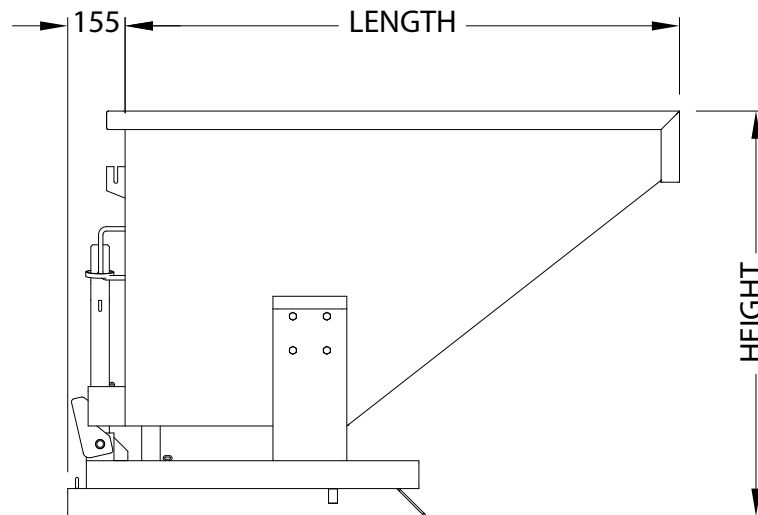
Options Available:

- Crane Lugs
- Cast Iron or Rubber Wheels
- Drain Valve & Strainer



ROB 9

Type	Capacity (cu. m)	Width (mm)	Length (mm)	Height (mm)	Unit Weight (kg)
ROB 9	0.90	1050	1500	1095	210
ROB 12	1.15	1350	1500	1095	225
ROB 15	1.40	1650	1500	1095	255
ROB 18	1.70	1950	1500	1095	280



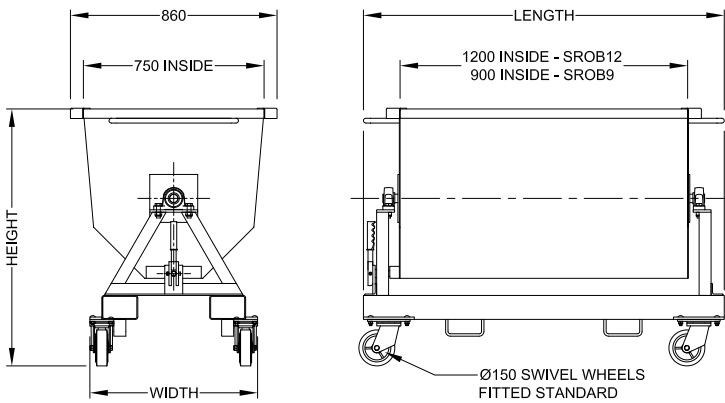
ROB 9 + Wheels



Waste & Storage Bins **Forklift Tipping Bins**

Type SROB Roll Sideways Bin

Sideways discharge bin with the ability to tip in either direction. Fork pockets are provided for end or sideways lifting and tipping. This bin is ideally suited to the food industry. Available in either painted or zinc plated finish. Stainless Steel also available on request. Wheels fitted as standard.



- Safe Working Load: 600 kg
- Fork Pockets: 140 mm x 60 mm
- End Fork Pocket Centres: 450 mm
- Side Fork Pocket Centres: 660 mm

Options Available:

- Crane Lugs
- Drain Plug

Type	Capacity (litres)	Width (mm)	Length (mm)	Height (mm)	Unit Weight (kg)
SROB 9	400	700	1200	1075	150
SROB 12	550	700	1500	1075	170

