

Crane & Overhead Lifting

Spreader Beams

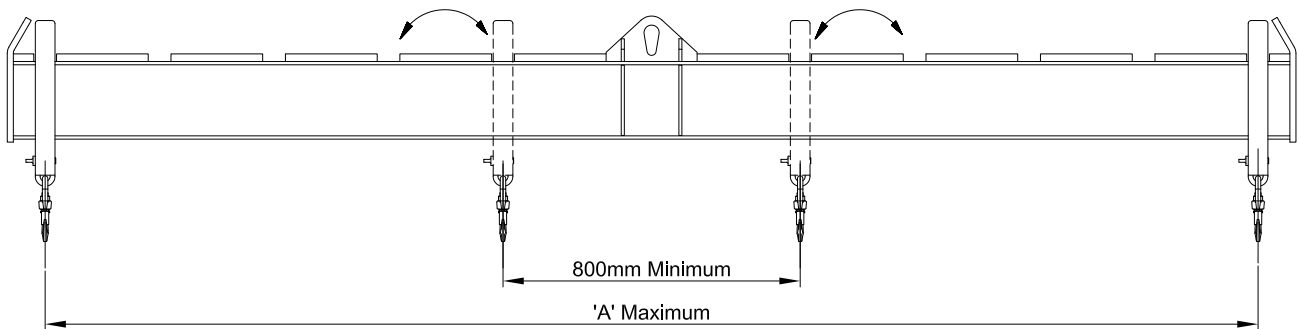
Type CSB Spreader Beam

The CSB Crane Spreader Beam is available in a range of capacities and lengths to suit any application. Crane Spreader Beams are supplied standard with 5 lift positions and fitted with 2 safety swivel hooks.

The standard finish on all Crane Spreader Beams is painted enamel in 'Safety Yellow'.

The chart below shows the standard range of Crane Spreader Beams available. Choose the Safe Working Load and Beam length (Dimension 'A') to suit your application.

Special width and capacity available on request.



Type	Safe Working Load (kg)	Dimension "A" (mm)	Unit Weight (kg)
CSB 2x2	2000	2000	70
CSB 3x3	3000	3000	110
CSB 5x4	5000	4000	300
CSB 10x4	10,000	4000	480
CSB 10x7	10,000	7000	1350

CUSTOM SIZE AND CAPACITY AVAILABLE ON REQUEST

Crane & Overhead Lifting

Bulk Bag Handling

Type BBF4 Bulk Bag Jib

Suitable for lifting bulk bags by overhead crane. Painted enamel finish.

- Safe Working Load: 2000 kg
- Unit Weight: 55 kg
- Hook Centres: 1000 mm

