

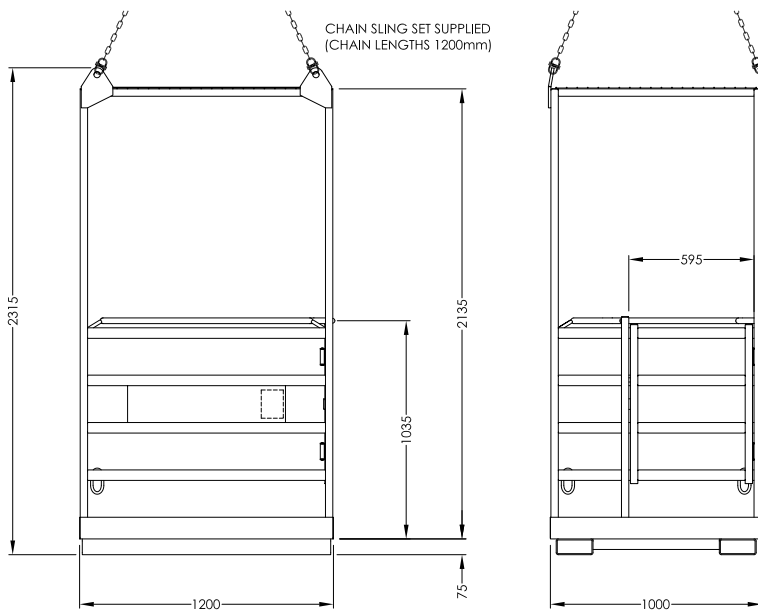
Crane & Overhead Lifting

Crane Work Platform Cages

All East West Engineering crane work platform cages are designed and manufactured in accordance with ASI418.17, and are supplied with load test certificate, instruction manual, risk control measures and WorkCover registration. Fork pockets fitted for transport purposes only. Personnel cages are supplied with chains, safety harness anchor points, and are painted Safety Yellow enamel.

Type WP-C

Two person cage, with mesh roof.

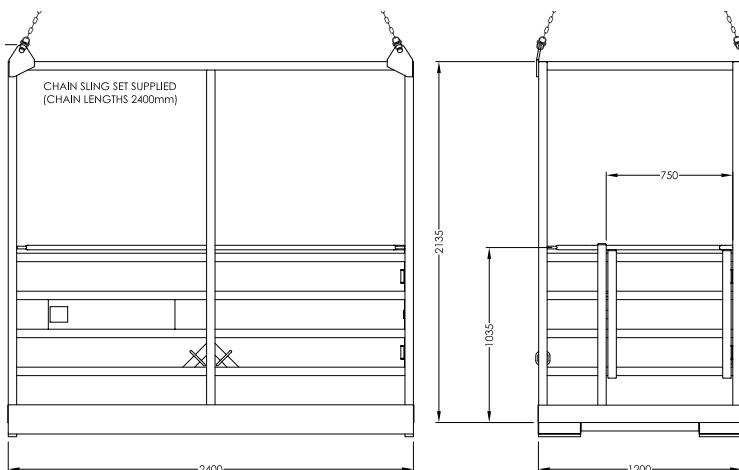


- Maximum capacity: 2 people
- Safe Working Load: 250 kg
- Unit Weight: 160 kg
- Fork Pocket Size: 165 mm x 65 mm
- Fork Pocket Centres: 775 mm

Type WP-C2

Four person cage, with mesh roof.

This Cage can also be manufactured to suit First Aid Rescue by fitting an outward opening gate. Please specify when ordering.



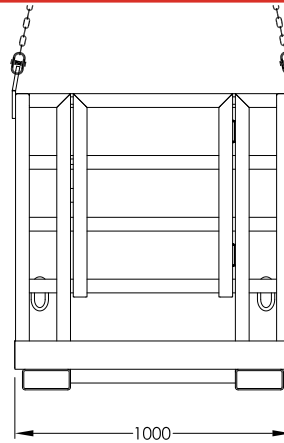
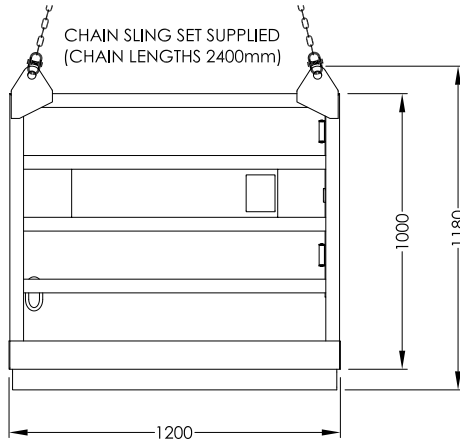
- Maximum capacity: 4 people
- Safe Working Load: 500 kg
- Unit Weight: 400 kg
- Fork Pocket Size: 245 mm x 65 mm
- Fork Pocket Centres: 950 mm

Crane & Overhead Lifting **Crane Work Platform Cages**

Type WP-C11

Two person cage, no roof

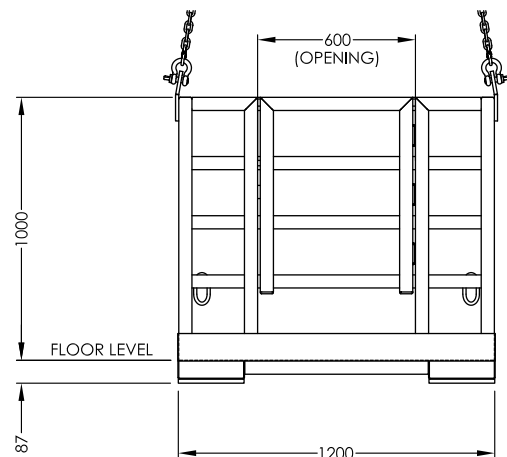
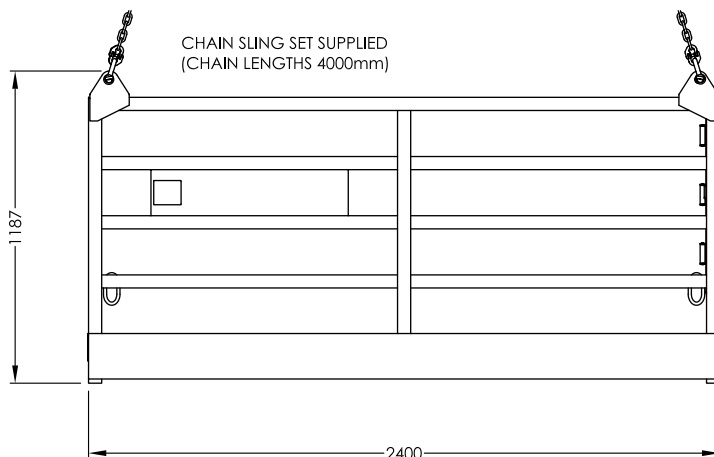
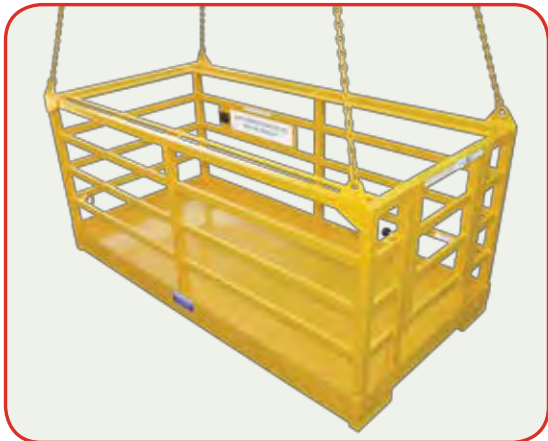
- Maximum capacity: 2 people
- Safe Working Load: 250 kg
- Unit Weight: 160 kg
- Fork Pocket Size: 165 mm x 65 mm
- Fork Pocket Centres: 775 mm



Type WP-C12

Four person cage, without roof

- Maximum capacity: 4 people
- Safe Working Load: 500 kg
- Unit Weight: 320 kg
- Fork Pocket Size: 245 mm x 65 mm
- Fork Pocket Centres: 950 mm

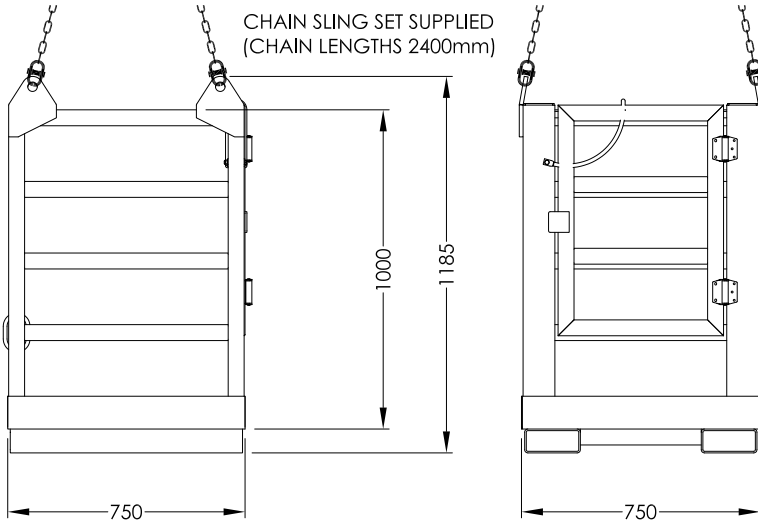


Crane & Overhead Lifting

Crane Work Platform Cages

Type WP-C4

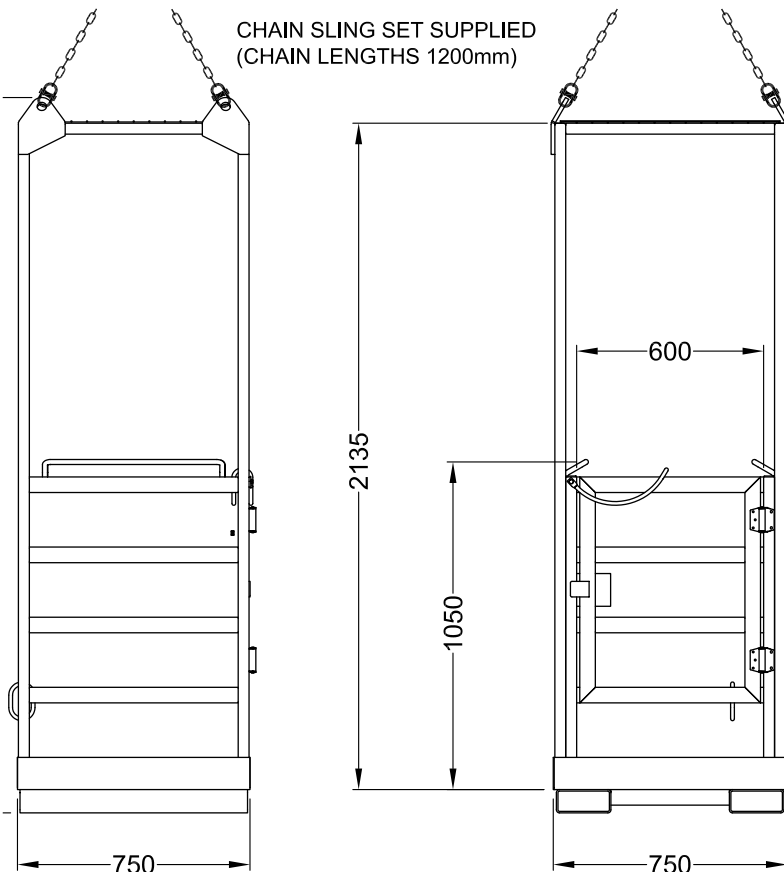
One person cage, without roof



- Maximum capacity: 1 person
- Safe Working Load: 250 kg
- Unit Weight: 120 kg
- Fork Pocket Size: 165 mm x 65 mm
- Fork Pocket Centres: 555 mm

Type WP-C8

Single person cage, fitted with mesh roof



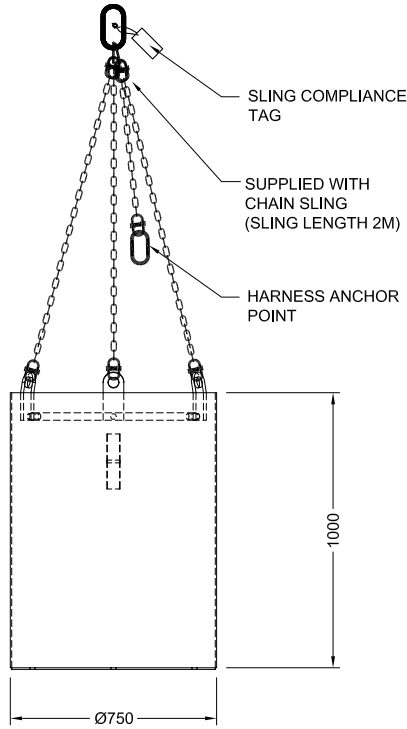
- Maximum capacity: 1 person
- Safe Working Load: 250 kg
- Unit Weight: 150 kg
- Fork Pocket Size: 165 mm x 65 mm
- Fork Pocket Centres: 555 mm

Crane & Overhead Lifting **Crane Work Platform Cages**

Type WP-C3

One person, circular cage.

- Maximum capacity: 1 person
- Safe Working Load: 250 kg
- Unit Weight: 160 kg



Type WP-C6

6 person cage, fitted with full mesh infill. The front mesh panel above handrail height is removable for working access.

- Maximum Capacity: 6 people
- Safe Working Load: 900 kg
- Unit Weight: 700 kg

