

Forklift Attachments

Jib Attachments

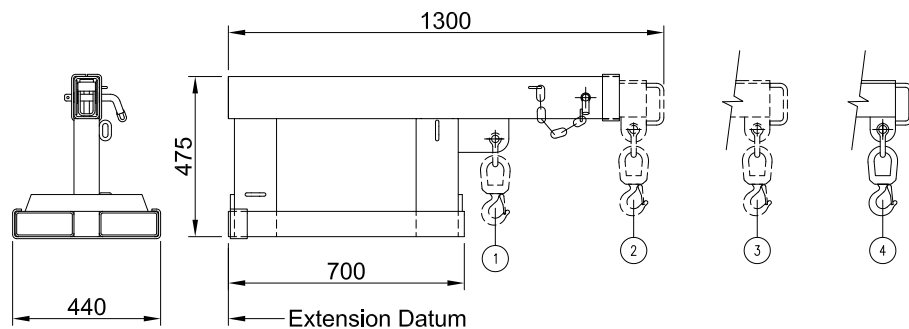
Type FJS2.5 Fixed Jib Short - 2.5 Tonne

The FJS2.5 Fixed Jib allows for additional lifting height with the extension beam being raised above the fork pockets. The overall length when retracted is 1.3 metres, and when extended is 2 metres. Zinc plated finish.

- Safe Working Load: 2500 kg Max
- Fork Pocket Size: 185 mm x 65 mm
- Fork Pocket Centres: 250 mm
- Unit Weight: 100 kg



Safe Working Load (SWL) per position				
POSITION	1	2	3	4
EXTENSION (mm)	790	1200	1580	1960
SWL (kg)	2500	1200	900	750

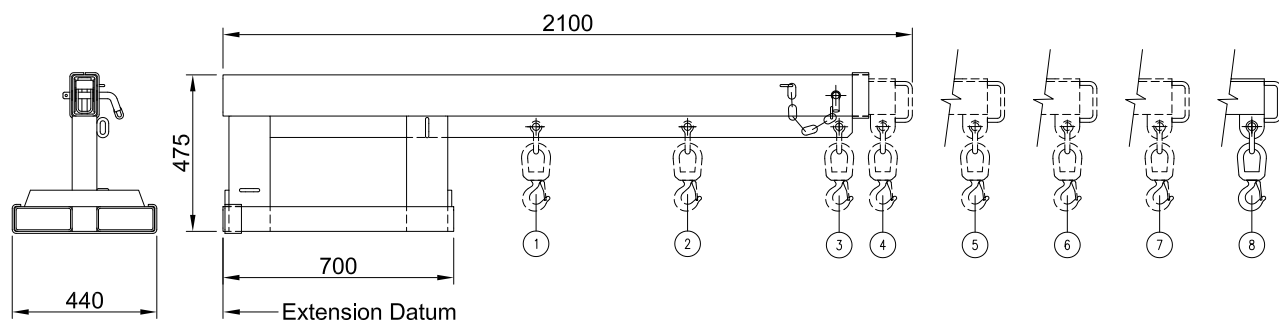


Type FJL2.5 Fixed Jib Long - 2.5 Tonne

The FJL2.5 has a 3.5 metre extension which allows for long reach lifts. The overall jib length when retracted is 2.1 metres. Zinc plated finish.

- Safe Working Load: 2500 kg Max
- Fork Pocket Size: 185 mm x 65 mm
- Fork Pocket Centres: 250 mm
- Unit Weight: 130 kg

Safe Working Load (SWL) per position								
POSITION	1	2	3	4	5	6	7	8
EXTENSION (mm)	950	1410	1870	2000	2380	2760	3140	3520
SWL (kg)	2500	2500	1900	1650	1250	650	380	240



Forklift Attachments

Jib Attachments

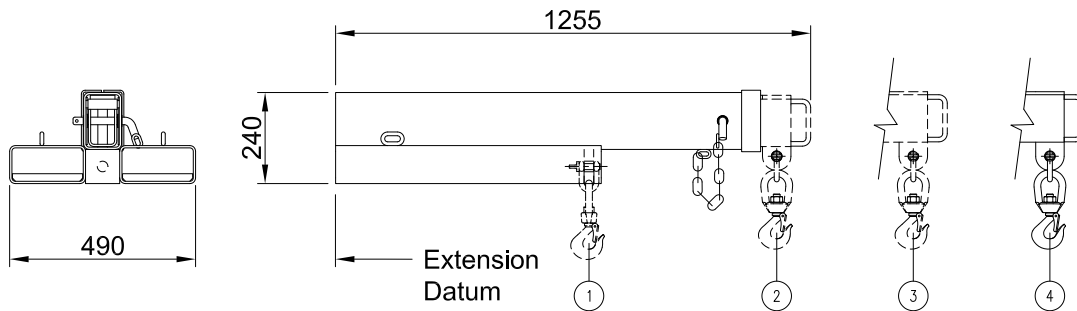
Type FJCS45 Fixed Jib Short - 4.5 Tonne

The FJCS45 Fixed Jib is designed as an affordable general purpose jib able to manoeuvre in confined spaces, with a 1.9 metre reach when fully extended. The overall jib length when closed is 1.25 metres. Zinc plated finish.

- Safe Working Load: 4500 kg Max
- Fork Pocket Size: 185 mm x 65 mm
- Fork Pocket Centres: 290 mm
- Unit Weight: 95 kg



Safe Working Load (SWL) per position				
POSITION	1	2	3	4
EXTENSION (mm)	670	1165	1545	1925
SWL (kg)	4500	2900	1300	750

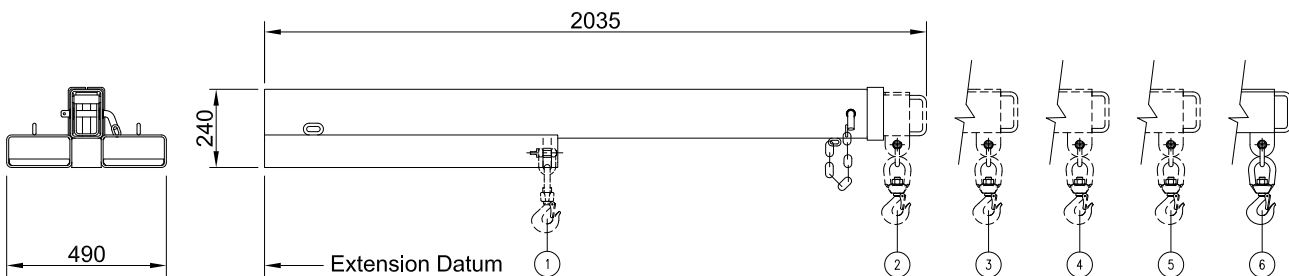


Type FJCL45 Fixed Jib Long - 4.5 Tonne

The FJCL45 Fixed Jib has a 3.5 metre reach when fully extended. Overall length when closed is 2.0 metres. Zinc plated finish.

- Safe Working Load: 4500 kg Max
- Fork Pocket Size: 185 mm x 65 mm
- Fork Pocket Centres: 290 mm
- Unit Weight: 140 kg

Safe Working Load (SWL) per position						
POSITION	1	2	3	4	5	6
EXTENSION (mm)	870	1945	2325	2705	3085	3465
SWL (kg)	4500	1300	750	560	380	200



Forklift Attachments

Jib Attachments

Type FJS5 Fixed Jib Short - 5 Tonne

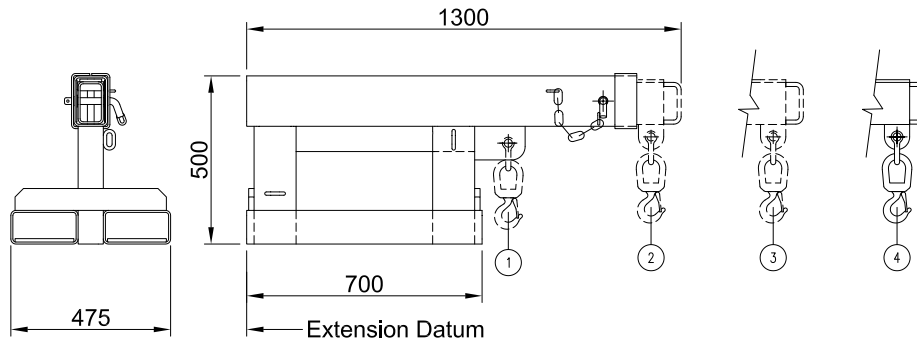
The FJS5 Fixed Jib has a 1.96 metre reach when fully extended, and an overall length of 1.3 metres when retracted. The jib is secured to the forklift by a safety chain, Zinc plated finish.

- Safe Working Load: 4750 kg Max
- Fork Pocket Size: 185 mm x 75 mm
- Fork Pocket Centres: 275 mm
- Unit Weight: 130 kg



Safe Working Load (SWL) per position

POSITION	1	2	3	4
EXTENSION (mm)	780	1200	1580	1960
SWL (kg)	4750	2400	1800	1500



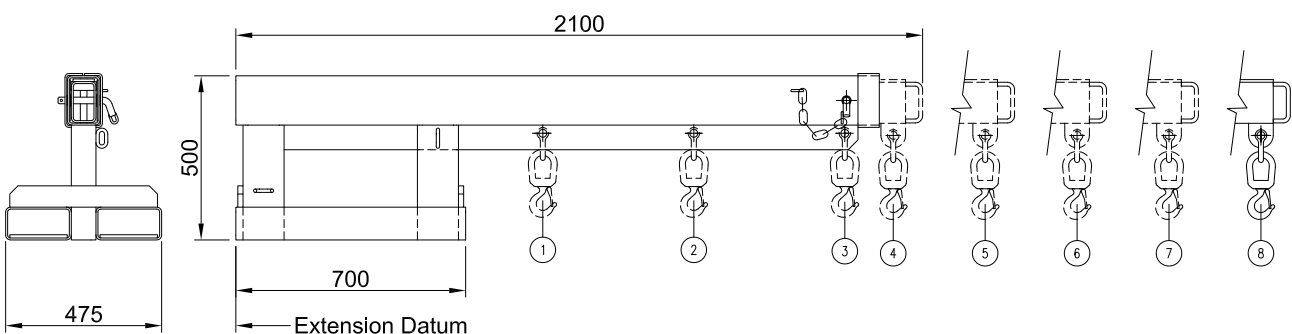
Type FJL5 Fixed Jib Long - 5 Tonne

The FJL5 Fixed Jib has a 3.5 metre reach when fully extended, and an overall jib length when retracted of 2.1 metres. Zinc plated finish.

- Safe Working Load: 4750 kg Max
- Fork Pocket Size: 185 mm x 75 mm
- Fork Pocket Centres: 275 mm
- Unit Weight: 170 kg

Safe Working Load (SWL) per position

POSITION	1	2	3	4	5	6	7	8
EXTENSION (mm)	935	1395	1855	2000	2380	2760	3140	3520
SWL (kg)	4750	4275	3800	3300	2500	1300	760	480



Forklift Attachments

Jib Attachments

SFJS7.5 Fixed Jib Short - 7.5 Tonne

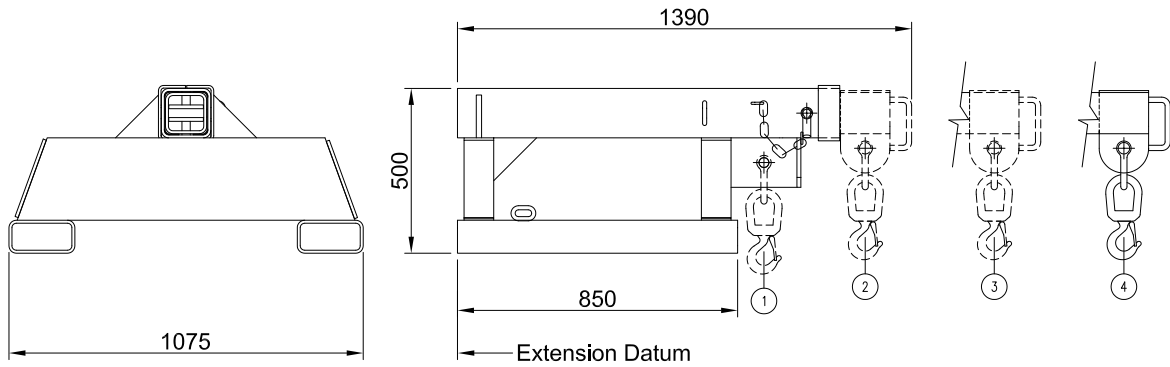
A general purpose jib suitable for larger forklifts, the SFJS7.5 is fitted with wide pocket centres, also suited for forklifts fitted with special hydraulic tine positioners. Overall jib length when retracted is 1.39 metres. Zinc plated finish.

- Safe Working Load: 7500 kg Max
- Fork Pocket Size: 180 mm x 80 mm
- Fork Pocket Centres: 875 mm
- Unit Weight: 320 kg



Safe Working Load (SWL) per position

POSITION	1	2	3	4
EXTENSION (mm)	930	1245	1625	2005
SWL (kg)	7500	3600	2700	2250



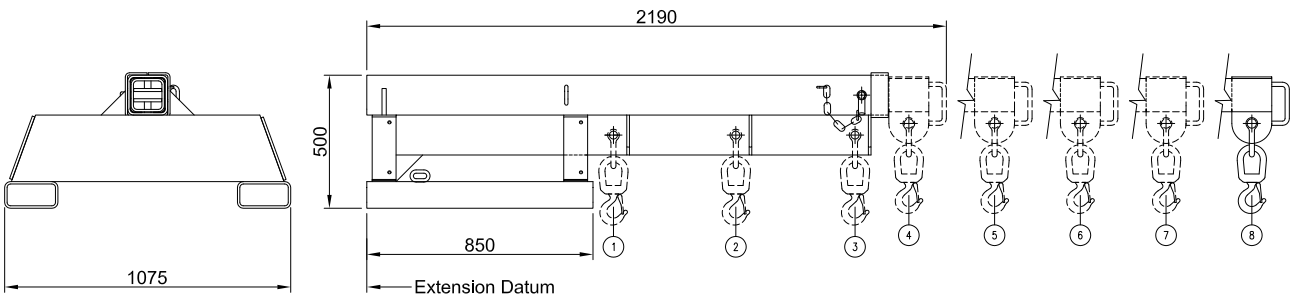
SFJL7.5 Fixed Jib Long - 7.5 Tonne

The SFJL7.5 Fixed Jib has a 3.56 metre reach when fully extended. The overall jib length when closed is 2.19 metres. This jib is also fitted with wide fork pocket centres. Zinc plated finish.

- Safe Working Load: 7500 kg Max
- Fork Pocket Size: 180 mm x 80 mm
- Fork Pocket Centres: 875 mm
- Unit Weight: 450 kg

Safe Working Load (SWL) per position

POSITION	1	2	3	4	5	6	7	8
EXTENSION (mm)	920	1380	1805	2045	2425	2805	3185	3565
SWL (kg)	7500	6410	5700	4950	3750	1950	1140	720



Forklift Attachments

Jib Attachments

SFJS10 Fixed Jib Short - 10 Tonne

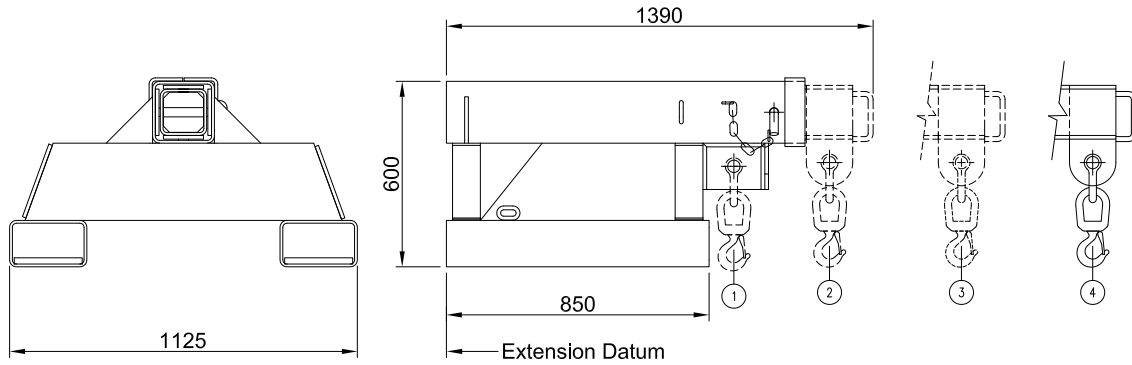
The SFJS10 Fixed Jib is the largest capacity jib in the range. Fitted with wide pocket centres, this jib is also for forklifts fitted with special hydraulic tine positioners. Maximum extension is 2 metres, with the overall jib length when retracted of 1.39 metres. Zinc plated finish.

- Safe Working Load: 10,000 kg Max
- Fork Pocket Size: 230 mm x 110 mm
- Fork Pocket Centres: 875 mm
- Unit Weight: 400 kg



Safe Working Load (SWL) per position

POSITION	1	2	3	4
EXTENSION (mm)	930	1245	1625	2005
SWL (kg)	10,000	4800	3600	3000



SFJL10 Fixed Jib Long - 10 Tonne

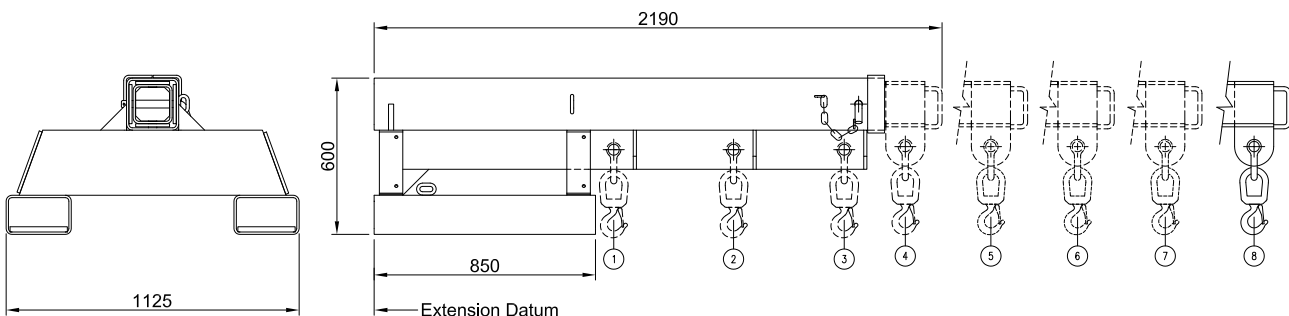
This jib has a 3.56 metre reach when fully extended, and is also fitted with wide fork pocket centres. The overall jib length when closed is 2.19 metres. Zinc plated finish.

- Safe Working Load: 10,000 kg Max
- Fork Pocket Size: 230 mm x 110 mm
- Fork Pocket Centres: 875 mm
- Unit Weight: 515 kg



Safe Working Load (SWL) per position

POSITION	1	2	3	4	5	6	7	8
EXTENSION (mm)	920	1380	1805	2045	2425	2805	3185	3565
SWL (kg)	10,000	8550	7600	6600	5000	2600	1520	960



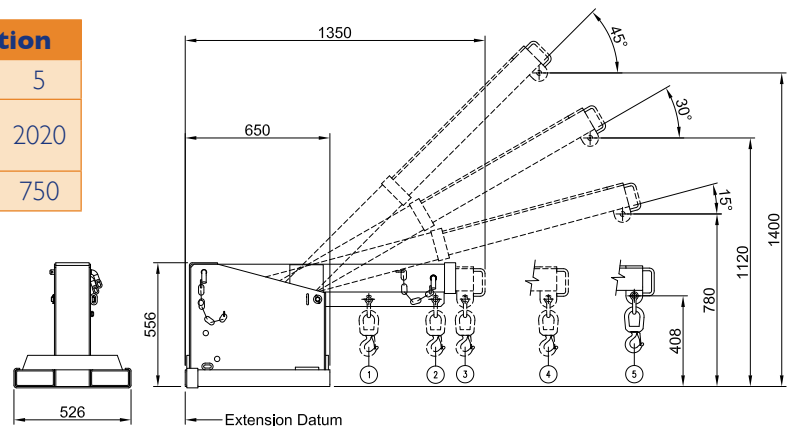
Type TJS2.5 Tilt Jib Short - 2.5 Tonne

The TJS2.5 Tilting Jib allows for additional height, compensating for length of the hook and slings when lifting. The jib boom can be set at 3 angled positions as well as level. Jib also offers 5 different hook positions, with a 2 metre maximum reach. Zinc plated finish.

- Safe Working Load: 2500 kg Max
- Fork Pocket Size: 185 mm x 65 mm
- Fork Pocket Centres: 337 mm
- Unit Weight: 130 kg



Safe Working Load (SWL) per position					
POSITION	1	2	3	4	5
EXTENSION (mm)	825	1125	1260	1640	2020
SWL (kg)	2500	1800	1200	900	750



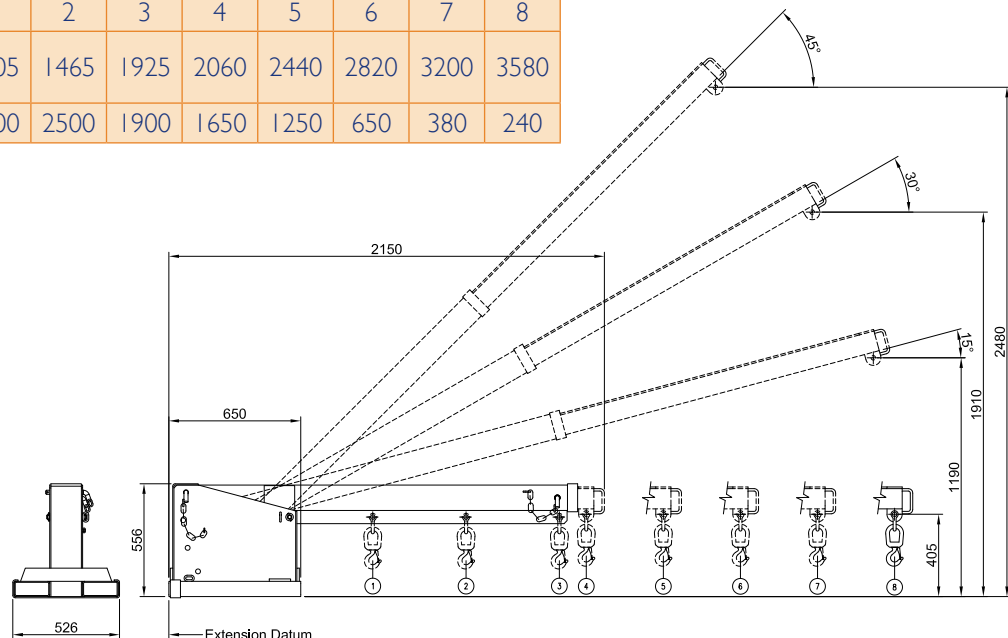
Type TJL2.5 Tilt Jib Long - 2.5 Tonne

With a maximum reach of 3.58 metres and an additional height of 2.4 metres when fully extended, the TJL2.5 is extremely versatile. 8 hook positions available, as well as 3 different angle positions. Zinc plated finish.

- Safe Working Load: 2500 kg Max
- Fork Pocket Size: 185 mm x 65 mm
- Fork Pocket Centres: 337 mm
- Unit Weight: 180 kg



Safe Working Load (SWL) per position								
POSITION	1	2	3	4	5	6	7	8
EXTENSION (mm)	1005	1465	1925	2060	2440	2820	3200	3580
SWL (kg)	2500	2500	1900	1650	1250	650	380	240



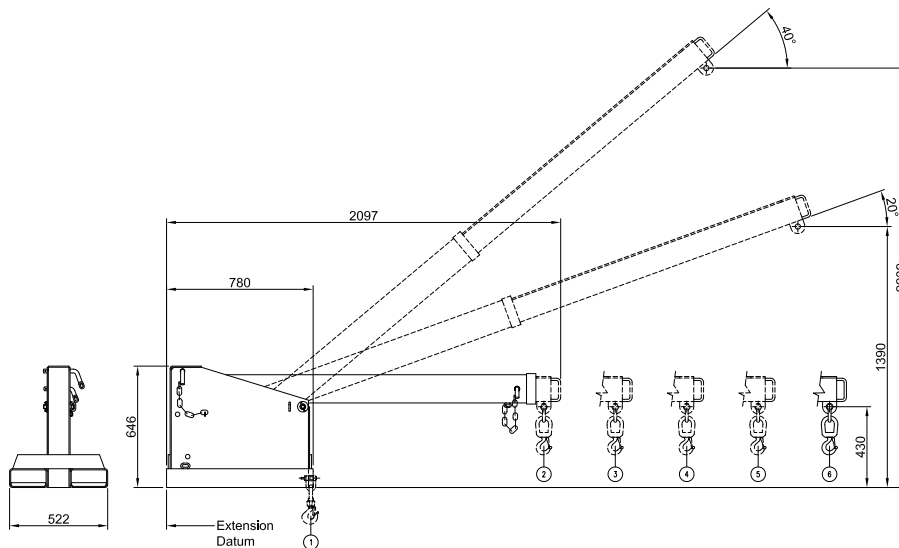
Forklift Attachments

Jib Attachments

Type TJCL45 Tilting Jib Long - 4.5 Tonne

The TJCL45 Tilt Jib is one of the most versatile forklift jib attachments in our range, allowing extra height to 2.23 metres, with a 3.53 metre reach when fully extended. This slip-on attachment is held to the forklift by a safety chain. The overall jib length when closed is 2.1 metres. Zinc plated finish.

- Safe Working Load: 4500 kg Max
- Fork Pocket Size: 185 mm x 65 mm
- Pocket Centres: 322 mm
- Unit Weight: 190 kg



Safe Working Load (SWL) per position

POSITION	1	2	3	4	5	6
EXTENSION (mm)	770	2010	2390	2770	3150	3530
SWL (kg)	4500	1100	630	470	300	150

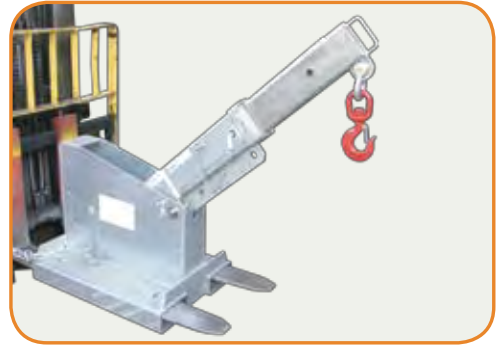


Forklift Attachments Jib Attachments

Type TJS5 Tilting Jib Short - 5 Tonne

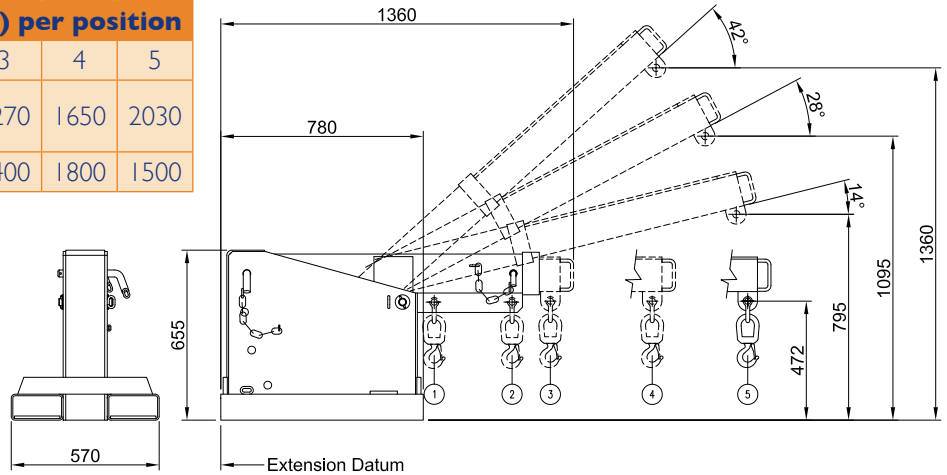
The TJS5 Tilting Jib can be set at 3 angled positions as well as level. Jib also offers 5 different hook positions, with a 2 metre maximum reach. Zinc plated finish.

- Safe Working Load: 4750 kg Max
- Fork Pocket Size: 185 mm x 75 mm
- Fork Pocket Centres: 370 mm
- Unit Weight: 180 kg



Safe Working Load (SWL) per position

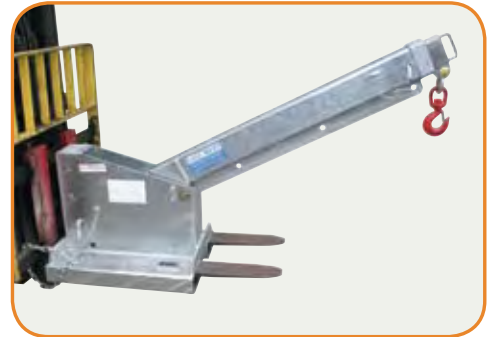
POSITION	1	2	3	4	5
EXTENSION (mm)	820	1120	1270	1650	2030
SWL (kg)	4750	3600	2400	1800	1500



Type TJL5 Tilting Jib Long - 5 Tonne

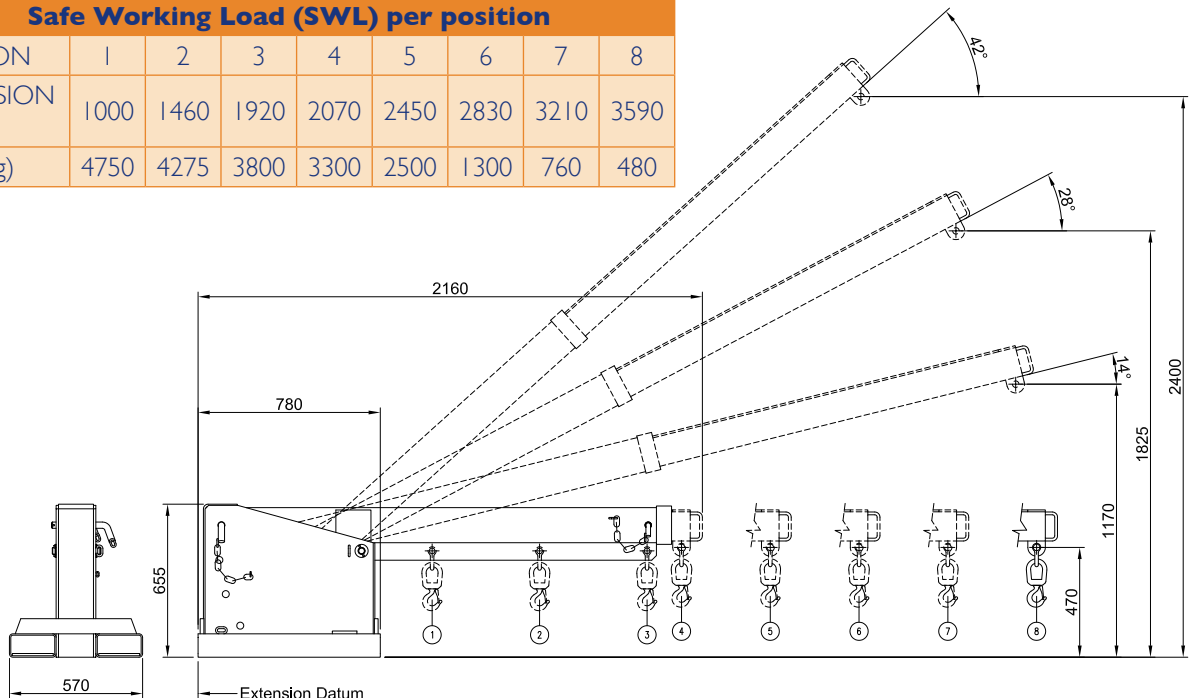
With a maximum reach of 3.6 metres and an additional height of 2.4 metres when fully extended, the TJL5 is extremely versatile. 8 hook positions available, as well as 3 different angle positions. Zinc plated finish.

- Safe Working Load: 4750 kg Max
- Fork Pocket Size: 185 mm x 75 mm
- Fork Pocket Centres: 370 mm
- Unit Weight: 240 kg



Safe Working Load (SWL) per position

POSITION	1	2	3	4	5	6	7	8
EXTENSION (mm)	1000	1460	1920	2070	2450	2830	3210	3590
SWL (kg)	4750	4275	3800	3300	2500	1300	760	480



Forklift Attachments

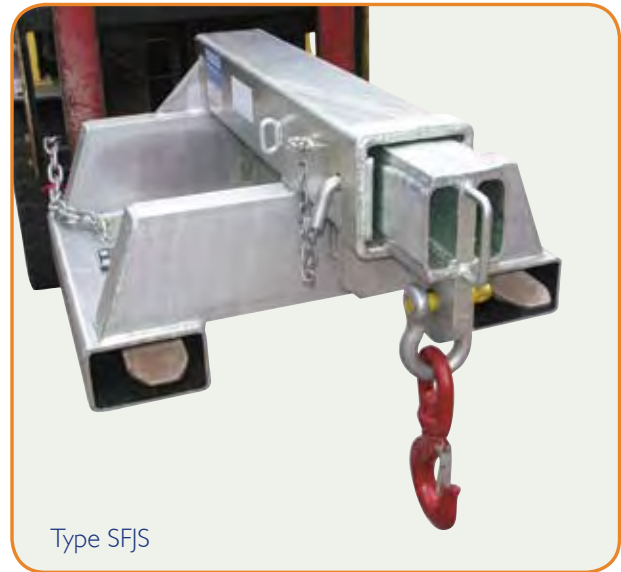
Jib Attachments

Wide Fork Pocket “S” series jibs

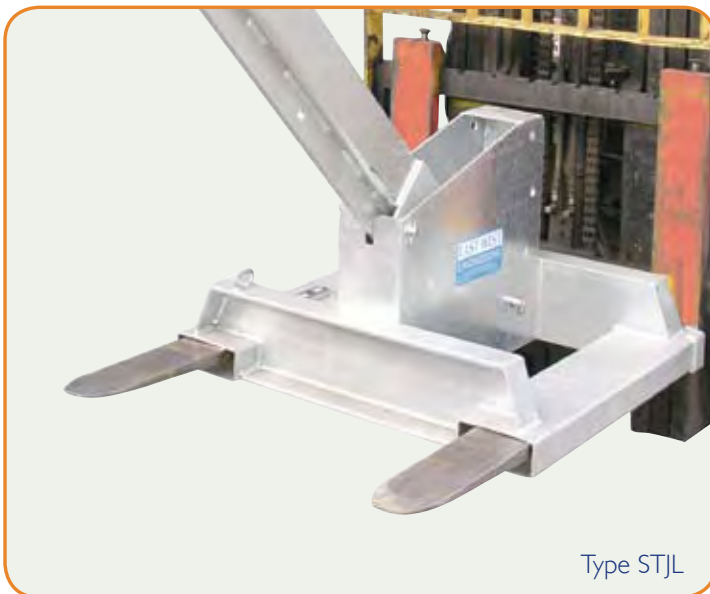
These jibs are fitted with the fork pocket centres set at a wider measurement than the standard range. Whilst they can be used on standard forklifts, these jibs are manufactured to suit forklifts which cannot position the fork tines for the standard range of jibs, such as forklifts fitted with special hydraulic fork positioners. The wide pocket option is available on all 2.5 tonne and 5 tonne jibs.

Note: All 7.5 tonne and 10 tonne jibs are manufactured with wide pockets as standard.

(Refer to pages 18-19 for details)



Type SFJS



Type STJL



Type SFJL

Type	Pocket Size (mm)	Pocket Centres (mm)	Overall Width (mm)	Unit Weight (kg)
SFJS 2.5	185 x 65	740	930	125
SFJL 2.5	185 x 65	740	930	155
SFJS 5	185 x 75	875	1075	160
SFJL 5	185 x 75	875	1075	200

STJS 2.5	185 x 65	740	930	160
STJL 2.5	185 x 65	740	930	205
STJS 5	185 x 75	875	1075	210
STJL 5	185 x 75	875	1075	270

The information outlined in the above table is for the “S” wide pocket version of the standard range of 2.5 tonne and 5 tonne jibs. Only the pocket spacing, overall width and weight varies from the standard attachment. Please refer to standard model specifications for Safe Working Load (SWL) information.

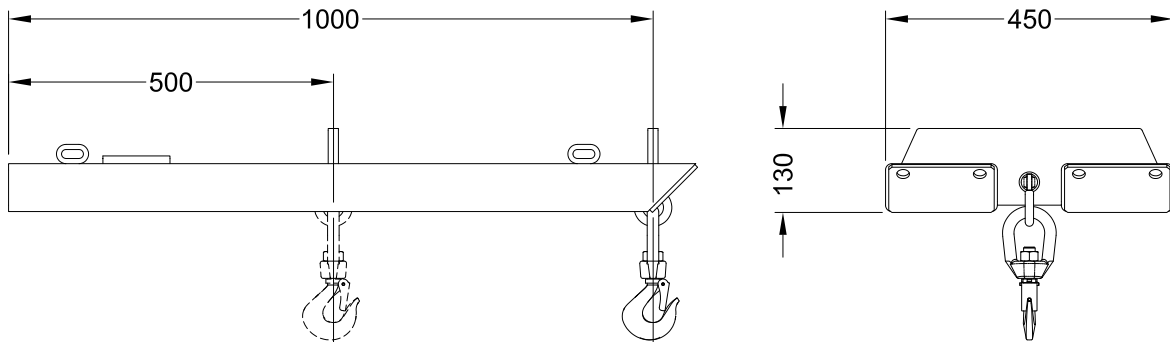
Forklift Attachments

Jib Attachments

Type SJ2 Jib

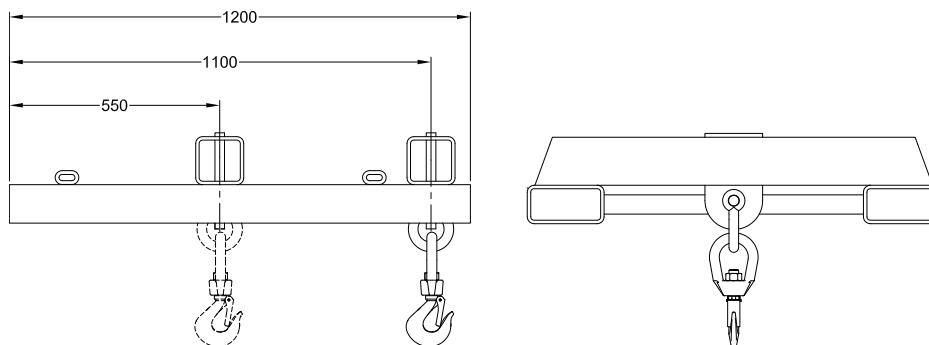
Simple slip on jib attachment, suitable for most forklifts. Two lifting points available, and supplied with one safety swivel hook. Zinc plated finish.

- Safe Working Load: 2000 kg
- Fork Pocket Size: 165 mm x 65 mm
- Fork Pocket Centres: 275 mm
- Unit Weight: 45 kg



Type SJW Wide Pocket Jib

The SJW style jib is fitted with wide spaced fork pockets, and provides 2 lifting positions 550 mm apart. This is a simple slip on style jib, and is supplied with safety swivel hook. Zinc plated finish.



Type	SWL (kg) / 550mm	SWL (kg) / 1100mm	Fork pocket size (mm)	Fork Pocket Centres (mm)	Unit weight (kg)
SJW 2.5	2500	1500	165 x 65	740	75
SJW 4.5	4500	3000	180 x 80	875	140
SJW 7	7000	5000	180 x 80	875	210
SJW II	11,000	8000	230 x 110	875	260

Forklift Attachments

Jib Attachments

Type SBJ6 Battery Removal Jib

This jib is used for the removal and placement of battery packs into electric operated forklifts. Supplied with multiple lifting points and supplied with 4 slings, this unit can be used for both 2 point and 4 point lift battery packs. Zinc plated finish.



2 Point lift



4 Point lift

- Safe Working Load: 2000 kg
- Unit Weight: 64 kg
- Load Centre: 654 mm
- Fork Pocket Size: 165 x 65 mm
- Fork Pocket Centres: 255 mm
- Hook Centres: 510 mm x 916 mm

Type GNJ Carriage Mounted Jib

The GNJ Carriage Mounted Jib is a heavy duty carriage mounted jib that offers height and manoeuvrability. This jib mounts to a standard forklift carriage and comes with an optional support stand upon request. Enamel paint finish.



Optional Stand

Type	Mounting Class	SWL (kg) / 600mm	SWL (kg) / 900mm	SWL (kg) / 1200mm	Unit weight (kg)
GNJ 2.5	Class 2	2500	2000	1500	130
GNJ 4.5	Class 3	4500	3500	2500	150
GNJ 6	Class 4	6000	5000	4000	170

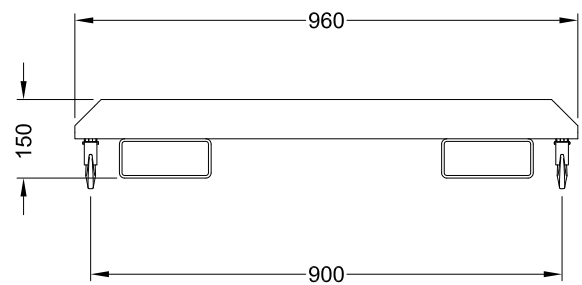
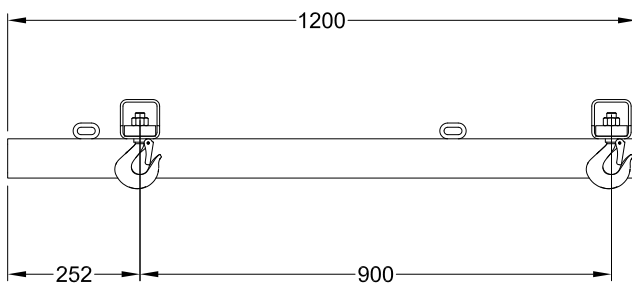
Forklift Attachments

Jib Attachments

Type BJFL-I Bulk Bag Jib

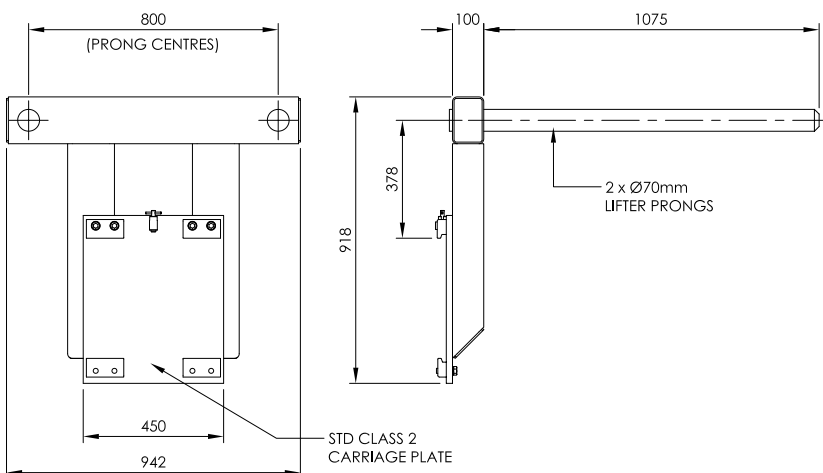
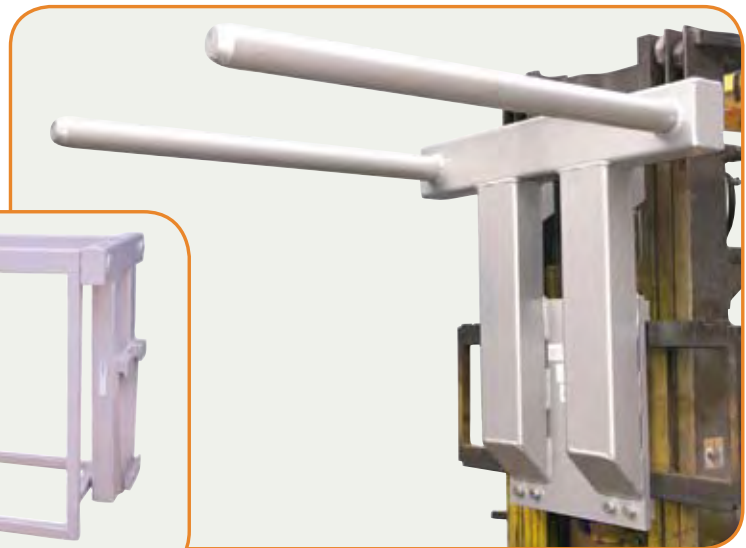
Slip on jib attachment which is suitable for handling bulk bags. The jib is fitted with safety swivel hooks, providing complete security when transporting bags. Enamel paint finish.

- Safe Working Load: 2000 kg
- Load Centre: 700 mm
- Hook Centres: 900 mm
- Fork Pocket Size: 165 mm x 65 mm
- Fork Pocket Centres: 615 mm



Type BBP 2000 Bulk Bag Jib

A two prong bag lifter ideal for container loading. The operator is not required to leave the drivers seat to release the bag. Optional stand available. Enamel paint finish.



- Safe Working Load: 2000 kg
- Load Centre: 725 mm
- Prong Centres: 800 mm
- Height above Carriage: 380 mm
- Unit Weight: 200 kg
- Mounting Class: Class 2