

Forklift Attachments

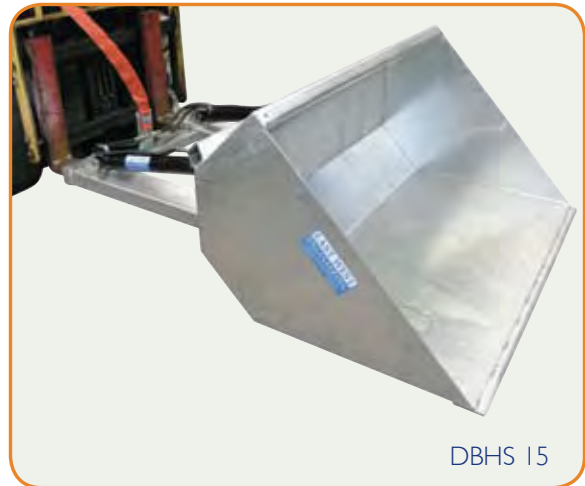
Dirt Buckets

**Type DBHS2 Dirt Bucket**

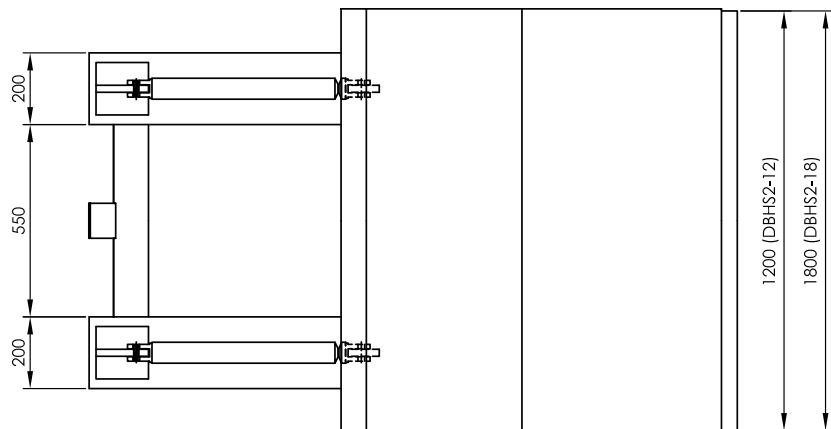
The DBHS Hydraulic Dirt Bucket is a slip-on attachment allowing quick connection to the forklift with the use of "Quick Connect" hydraulic couplings.

The hydraulic operation allows for full backwards tilt making the bucket suitable for liquid products. This bucket is manufactured with a hardened steel wear edge. Zinc plated finish.

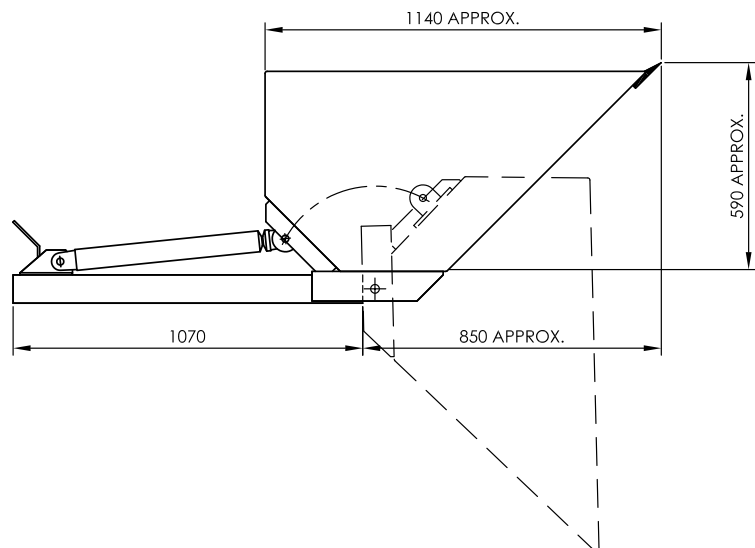
- Fork Pocket Size: 185 mm x 65 mm
- Fork Pocket Centres: 750 mm
- Safe Working Load: 1000 kg



Type	Capacity (cu. m)	Bucket Width (mm)	Unit Weight (kg)
DBHS2-12	0.50	1200	315
DBHS2-18	0.90	1800	390



TYPE	DBHS2-12	DBHS2-18
POCKET SIZE	185 x 65	185 x 65
POCKET CTS	750mm	750mm
SWL	1000kg	1000kg
UNIT WEIGHT	315kg	390kg
HOR C of G	1050mm	1120mm
VERT C of G	165mm	140mm
CAPACITY	0.50 cu m	0.90 cu m



## Forklift Attachments

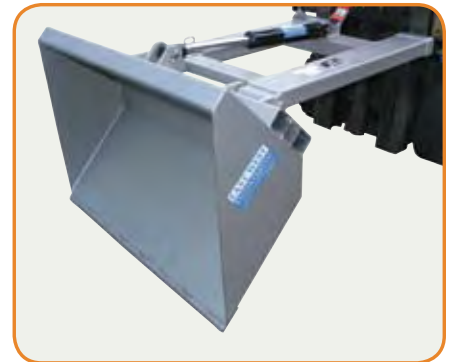
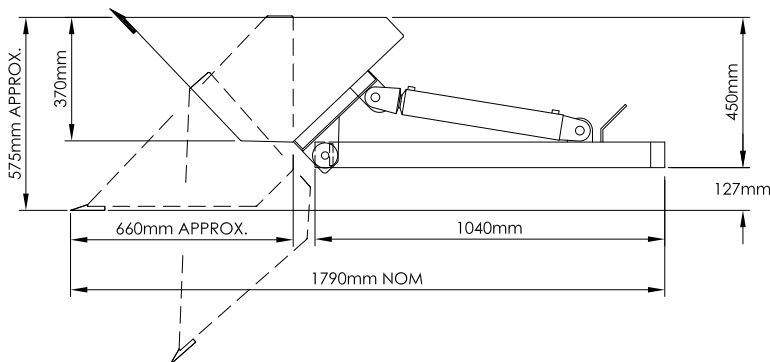
## Dirt Buckets

### Type DB-H Hydraulic Bucket

A slip-on hydraulically operated bucket which quickly connects to the forklift, requiring one additional hydraulic function to operate.

The hydraulic operation allows for full backwards tilt making the bucket suitable for liquid products. Bucket is fitted with a hardened steel wear edge. Zinc plated finish.

- Volume Capacity: 0.22 cu m
- Safe Working Load: 500 kg
- Bucket Width: 1200 mm
- Fork Pocket size: 165 mm x 65 mm
- Fork Pocket Centres: 635 mm
- Unit Weight: 200 kg



### Type DB-M Manual Bucket

This manually operated slip-on dirt bucket connects quickly to the forklift without any hydraulic connection required. Extremely useful for removing loose material from floors such as gravel, grain, coal etc. Dumping of product is via a simple mechanical lever operated from the drivers seat. Bucket is fitted with a hardened steel wear edge. Zinc plated finish.

- Volume Capacity: 0.22 cu m
- Safe Working Load: 500 kg
- Bucket Width: 1200 mm
- Fork Pocket Size: 165 mm x 65 mm
- Fork Pocket Centres: 635 mm
- Unit Weight: 195 kg

