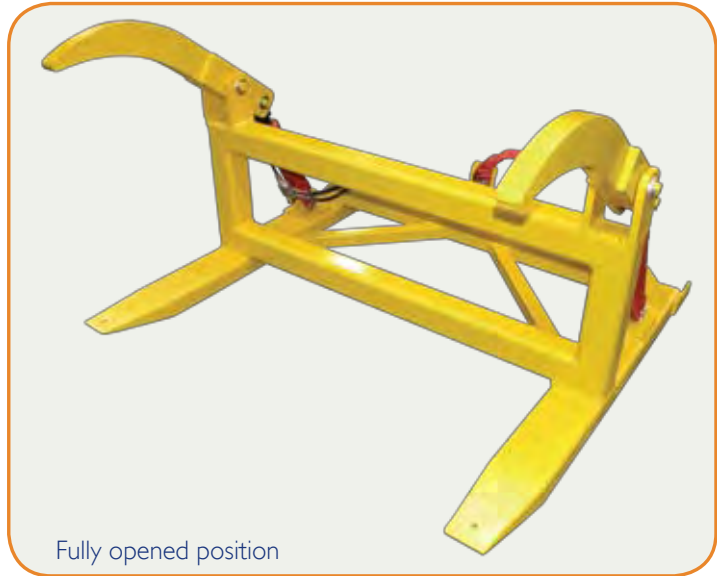
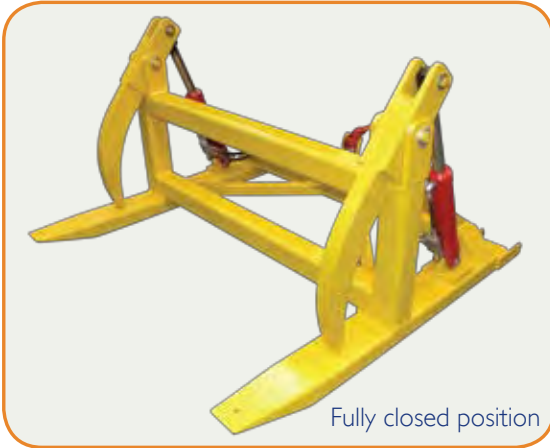


Forklift Attachments

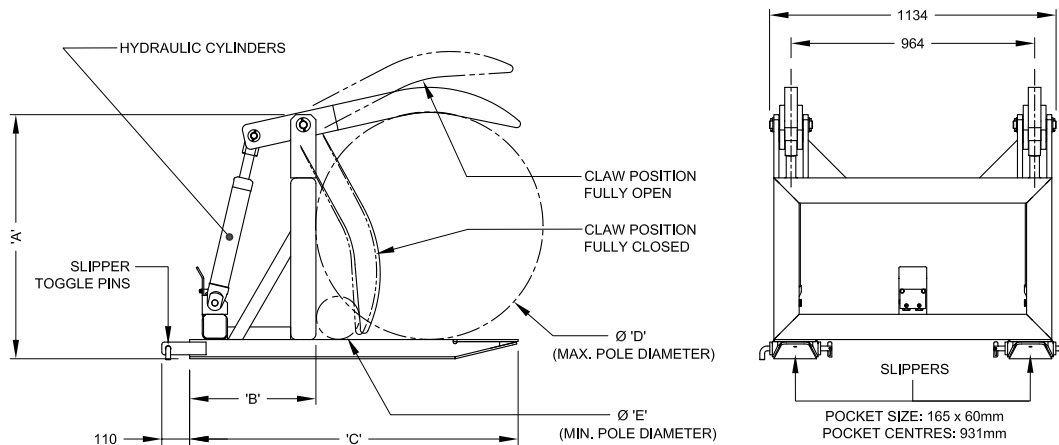
Grab Attachments

Type GA Grab Attachment

The GA Grab Attachment is a slip on attachment designed to grab and securely transport poles or pipes, with models available to handle from 170mm through to 1200mm diameter.



Requiring one additional hydraulic function, the GA Grab Attachment is supplied with connection hoses fitted with quick connect couplings. Enamel painted finish in Safety Yellow.



Type	SPECIFICATIONS				
	SWL (kg)	L/Centre (mm)	Weight (kg)	HCG (mm)	VCG (mm)
GA-06	2500	1100	245	600	210
GA-09	2500	950	265	420	300
GA-12	2500	1300	375	580	455

Type	DIMENSION (mm)				
	'A'	'B'	'C'	'D'	'E'
GA-06	741	800	1300	600	170
GA-09	966	500	1300	900	170
GA-12	1366	700	1800	1200	300

