

D Range - Intermediate Tanks



Intermediate Capacity Tanks are available in several different designs to best suit your application.

We have removable flat lids, cross over designs and dome styles available.

Some have moulded flats on the side for drainage fittings, whilst others have moulded tie down lugs as standard features.

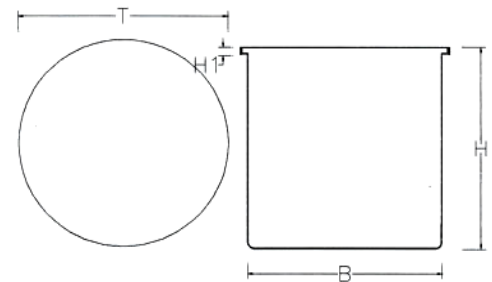
Below are dimension of each design along with detail on features available.

Warranty 3 year pro-rata

FLAT LID DESIGN – STYLE 1

Features include:

- Full open head tank provides for ease of use when adding products for mixing.
- Economical design.
- Good hoop strength.
- Bunding for 1000-2000 Litre Tanks.
- Supplied with lift off flat lid
- Colour Available : Natural (Translucent) or Black

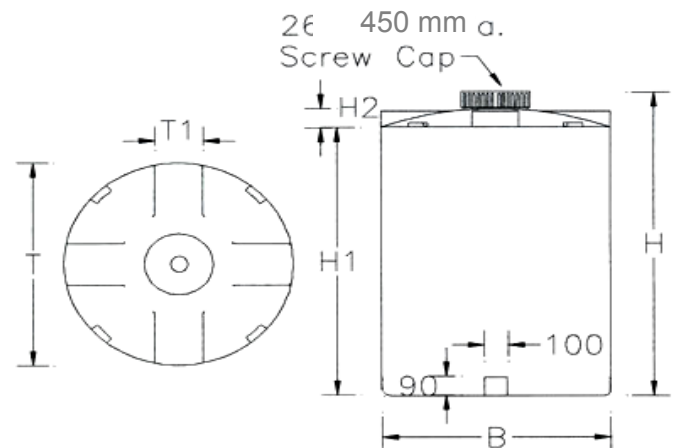


Part Number	Capacity (Litre)	Overall Dimension (mm) Dia.(T) x Height (H)	Dimensions (mm)					Contact Spacepac for current pricing
			Base (B)	H1	H2	H3	T1	
# CS500	500	960 x 910	848	45	-	-	-	
# CS750	750	1090 x 965	990	50	-	-	-	
# CS1100	1100	1100 x 1380	990	145	-	-	-	

DOMED ROOF – STYLE 2

Features include:

- Ideal for outside applications, where weathering is an issue.
- Very strong roof design.
- 3 moulded flats for fitting of drainage outlets.
- Moulded tie down lugs are standard feature.
- Colour Available : Natural (Translucent) or Black



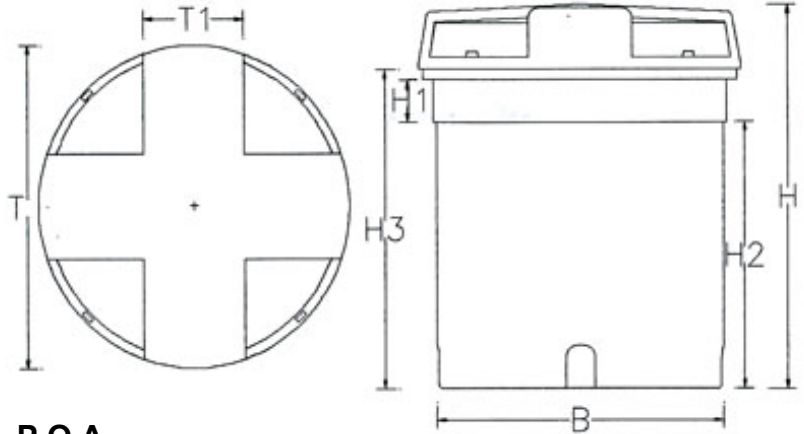
Part Number	Capacity (Litre)	Overall Dimension (mm) Dia.(T) x Height (H)	Dimensions (mm)					Contact Spacepac for current pricing
			Base (B)	H1	H2	H3	T1	
# BL500	500	1000 x 875	1000	700	85	-	-	
# BL1000	1000	1000 x 1510	1000	1330	850	-	-	

D Range - Intermediate Tanks

CROSS OVER TOP – STYLE 3

Features include:

- Ideal for outside storage use, where weathering is an issue.
- Cross over top allows for infinite access cover positioning across diameter of tank.
- Moulded flats for drainage fittings (4) in total at 90°.
- Tie down lugs standard.
- 450 mm access cover or smaller can be used with this design.
- Colour Available : Natural (Translucent) or Black



Style 3 can be Supplied with Top Removed - P.O.A (can reduce capacity)

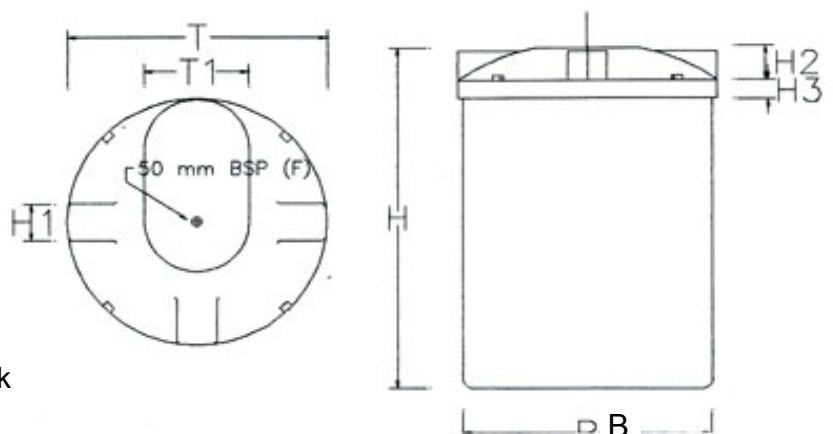
Part Number	Capacity (Litre)	Overall Dimension (mm) Dia.(T) x Height (H)	Dimensions (mm)				
			Base (B)	H1	H2	H3	T1
# VIP-14	500	908 x 1390	758	100	1030	1190	250
# VIP-14EX	650	908 x 1390	758	100	1030	1190	250
# VIP-15	1100	1170 x 1818	1000	220	1290	1570	500
# VIP-16	2200	1550 x 1800	1400	200	1280	1530	510
# VIP-16EX	2580	1550 x 1800	1400	200	1280	1530	510

Contact or email to spacepac@spacepac.com.au for current pricing

DOMED TOP – STYLE 4

Features include:

- Good weathering design.
- Moulded flats for drainage outlets.
- Multi positioning of access cover or fittings.
- Can take 450 mm or smaller access covers.
- Connections can be fused onto flat top surfaces.
- Moulded tie down lugs.
- Colour Available : Natural (Translucent) or Black



Part Number	Capacity (Litre)	Overall Dimension (mm) Dia.(T) x Height (H)	Dimensions (mm)				
			Base (B)	H1	H2	H3	T1
# BL1800	1800	1360 x 1487	1360	205	180	100	550
# BL2400	2400	1360 x 1892	1360	205	180	100	550
# BL3100	3100	1590 x 1770	1590	205	180	100	550
# BL3600	3600	1590 x 2060	1590	205	200	100	550

Contact or email to spacepac@spacepac.com.au for current pricing