

EVENT FENCE

Event Fence portable barrier is a system of interlocking free standing fence panels. Strength, durability and flexibility are all features of Event Fence! Simply link Event Fence panels together to create continuous barricading for festivals, parades, sporting events or work sites.

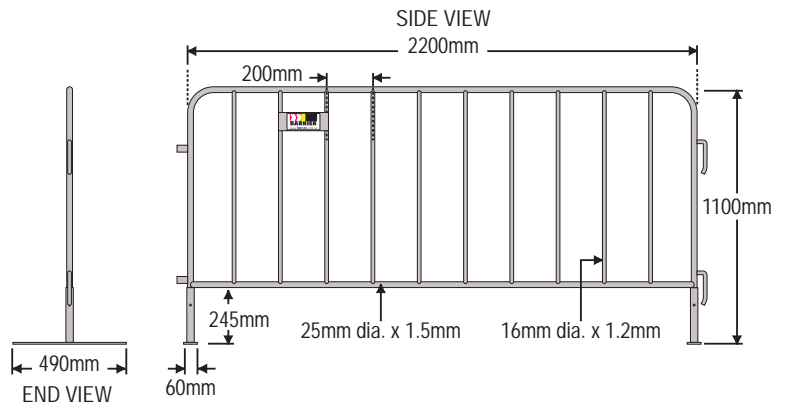
Optional forklift stillage make storage and transporting of Event fence panels simple and efficient.

Value features:

- » Fully welded steel construction.
- » Galvanised finish.
- » Panels nest together when not in use to reduce storage space.
- » Feet are removable if desired for freight or storage.
- » Vertical bars eliminate climbing points.
- » Panels are able to pivot at joints.
- » Low profile feet reduce tripping hazards.

Specifications:

Description:	Modular and portable temporary barrier system.
Material:	Steel construction, fully welded.
Finish:	Hot dip galvanised.
Length:	2200mm.
Width:	490mm.
Height:	1100mm.
Weight:	16kgs.
Installation:	Free standing panels, link together. No tools required.



! HANDY TIP

Buyers considering purchasing event fence should also consider our EFS stackable forklift stillages. These stillages make the storage and handling of event fence panels much more space efficient and easier to handle. EFS (Optional) stackable forklift stillage. Designed to hold 30 x EF25/200. For more information see Section 7.10.2.

PART No.	DESCRIPTION
EF25/200	Standard Duty Event Fence
EFS	Event Fence Forklift stillage – stackable

SECTION 7.10.2

EVENT FENCE STILLAGES

Optional fork lift stillages make the storage, handling and transportation of large numbers of Event Fence panels simple and efficient.

These robust hot dip galvanised steel stillages hold either 30 pieces of the EF25/200 standard duty event fence panels or 14 Crowd-Q Panels.

Value features:

- » Robust construction with galvanised finish.
- » Designed for use with forklifts.
- » Stackable to 4 units high.
- » Each unit holds up to 30 Event Fence panels.
- » Panels can be hand loaded by one person.



EFS – Stillages make storage and handling of panels simple and space efficient.

PART No.	DESCRIPTION
EFS	Event Fence stackable forklift stillage