

DOCK-SAFE-Q

Dock-safe-Q is a light weight rapid deployment temporary safety barrier system to prevent people tripping or falling from elevated loading docks.

Dock-safe-Q is comprised of two parts (ordered separately).

The Dock-safe receiver is a moulded rubber block that is mounted directly to the face of the loading dock. This receiver also acts as a heavy duty dock bumper.

The Crowd-Q panel then simply drops into sockets in the receiver. Panels can be quickly removed and replaced if required for vehicle access.

Panels can be used without rubber receiver blocks. Simply core drill 50mm diameter holes into the floor to receive panel posts. The panels can then be quickly placed and removed as required.

Value features:

- » Place and remove panels quickly without tools.
- » One metre high lightweight panels in hi-viz orange.
- » Removed panels stack flat.
- » Moulded from super tough polyethylene.
- » Receivers double as heavy duty dock bumpers.
- » Prevents unauthorised entry through dock area.

Specifications:

Description:	Rapid deployment loading dock barrier.
Material:	Panel – Blow moulded polyethylene. Receivers – Moulded rubber.
Finish:	Panel – Solid colour safety orange.
Height:	Floor to top of panel 1000mm.
Panel length:	2130mm.
Weight:	Panel with 2 posts – 14kgs approx. (including posts). Receiver – 12kgs each.
Fixings:	Supplied with Dock-safe receiver.

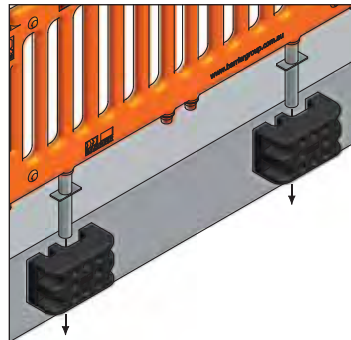
PART No.	DESCRIPTION
DSQ2130	Dock-safe-Q panel with posts 900 x 2130mm
DSR1	Dock-safe receiver with fixings (order separately)



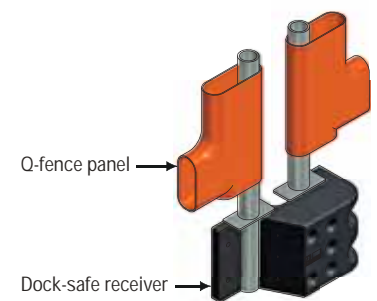
Dock-safe with shared receiver blocks.



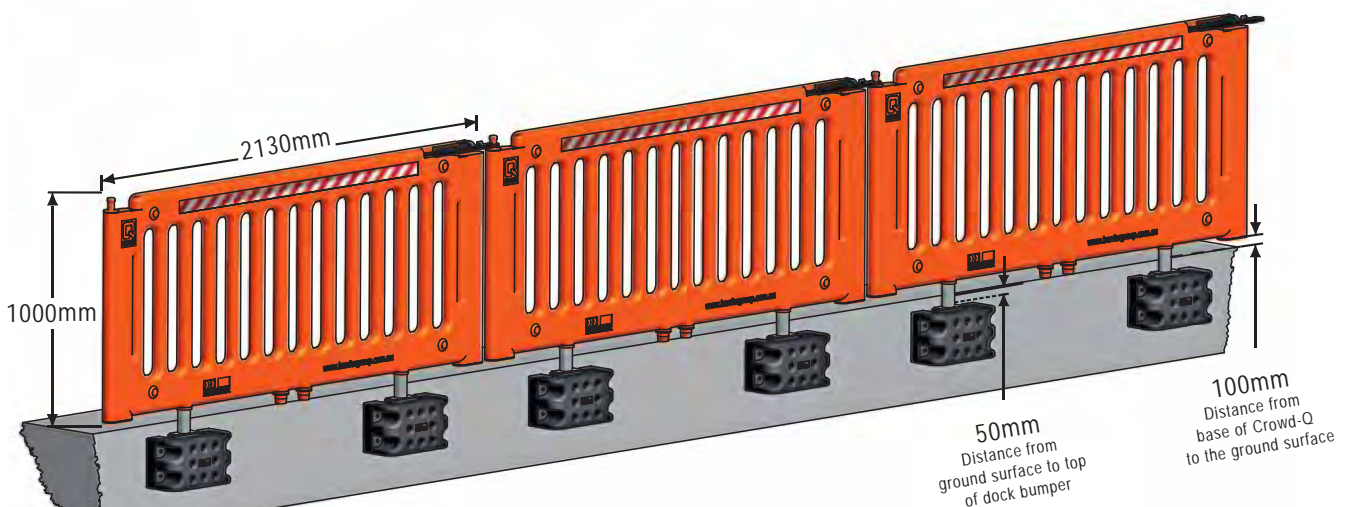
Dock-safe with independent receiver blocks.



Installing panel with receiver.



Cross-section (see Section 2.1.1).



Note: Panels and rubber receivers are sold separately.