

POST-Q – Fence system

Post-Q is a modular pedestrian separation fence system that can absorb minor impacts, is non-conductive, corrosion and abrasion resistant and can be used indoors and outdoors.

Using the galvanised steel posts provided Post-Q is simple to install with a high level of design flexibility. Strong galvanised posts and moulded polyethylene panels with solid colour ensure an extremely durable fence system. Post-Q is highly visible, won't fade, rot, rust or crack and is almost completely maintenance free.

Value features:

- » Strong, flexible, lightweight and highly visible.
- » Ease of installation with design flexibility.
- » Solid moulded colour.
- » Virtually maintenance free.
- » Maximum panel opening 80mm (child safe).
- » Panels can be cut down as required.

Specifications:

Description:	Modular post-mounted pedestrian separation fence.
Material:	Crowd-Q – Blow moulded polyethylene. Posts – Surface mount galvanised steel 700mm long.
Finish:	Crowd-Q – Solid colour safety orange. Posts – Hot dip galvanised.
Height:	Floor to top of panel 1000mm.
Weight:	Panel (including posts) – 14kgs approx.
Fixings:	Supplied with masonry anchors 16 x 65mm.
Galvanised Posts:	The internal posts used in Post-Q are manufactured from 48.3mm diameter hot dip galvanised steel with a welded base plate for surface mounting. Post mounting leaves the Q-Panels elevated above the floor for ease of cleaning.

PART No.	DESCRIPTION
PQ2130	Post-Q fence panel with 2 galvanised posts
QFP-SM	Additional Q-fence posts with fixings



Post-Q – rigidly mounted posts with flexible panels.



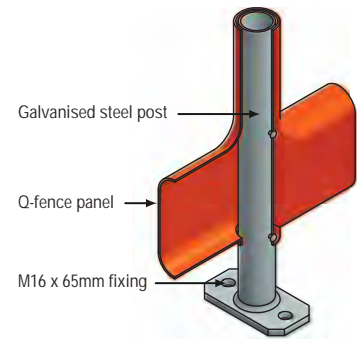
Sliding panel connector for uneven grounds.



Galvanised mounting posts.



Recessed reflective panels.



Cross-section.

